



BESPOKE PLUS

"If your work speaks for itself, don't interrupt!"

Picton Show

Home Health Care Expo
 Tuesday, June 25, 2013
 Crystal Palace, Picton, Ontario

As our population ages and age related conditions rise, a strong home and community care sector will be a critical part of a sustainable health care system.

10 a.m. – 4 p.m. Tuesday June 25
 Crystal Palace, Picton

Keynote Speaker: Shirley Roberts
 local author of *Doris Inc.*... a practical look at keeping life in balance while maximizing the quality of life of an elderly loved one.

Shirley Roberts is the author of *Doris Inc.: a Business Approach to Caring for Your Elderly Parents*, which was published by Wiley Canada in 2012. She is a graduate of the Ivy Business School at the University of Western Ontario. Shirley ran her own marketing consulting firm, after rising to the Director of Marketing level working for large corporations. As a published author and consumer trend expert, her research and advice were sought by media and large corporations. Shirley was a board member of Parkinson Society Canada from 2006 – 2009, and was the primary caregiver for her mother for seven years.

FREE REGISTRATION:
 online at www.caregiversonline.ca
 or toll free Carol at 1.800.209.4810 Ext 25

SPEAKERS * EXHIBITS * CLINICS * RESOURCES * COMPLIMENTARY LUNCH

Sponsored by

We thank Caregiver Omni Media and the South East Division of the Community Care Action Center (CCAC) for the invitation to attend the Picton Show. The event tomorrow aims to educate and enlighten residents of Picton and greater Picton area about their home health care options. People need the products and services that organizations offer and this one day event is a great opportunity for them to

become more familiar with products and services.

We hope to see some of you at this event where we will showcase Type 2 and 3 Ki Mobility products with VARILITE® cushions and backs!

VARILITE® Info

The factory has passed along a snapshot of the VariLock™ hardware; kits available if you are upgrading are noted below, but all backs have been shipping with the new hardware for some time now in Canada.

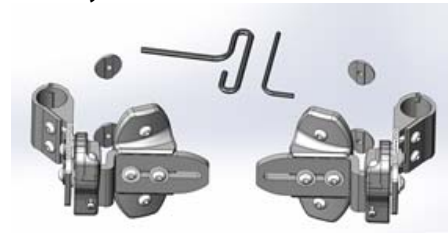
07483 VariLock Mounting Kit

Purpose: For mounting the same Icon Back System on various wheelchairs in a seating clinic or at a dealer.



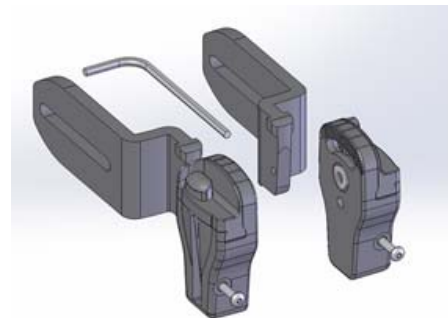
07484 VariLock Hardware Kit, Complete

Purpose: Replacement for all hardware in behind the Icon Back System Shell.



07485 VariLock Upgrade Kit

Purpose: To upgrade the original Icon hardware with VariLock hardware.



07304 VariLock Slide Bracket Kit

Purpose: To use as a spare part or accommodate a rotated pelvis by using two left or two right brackets.



What's New at KI

From Ki Mobility with friendly amendments.

Working with 2 wrenches isn't the easiest.



A single open end wrench simplifies the adjustment and the composite carriage protects the paint

from scratches if you need to make changes. But don't worry; it is the same tight fit that won't come loose over time. We listened and improved our front footrest extension tube adjustment so it is optimal for you and your end user.

90 Degree Extended Length Hanger

The 90 hanger has been redesigned to allow for very short lengths. With a minimum footrest length of 3 3/4" and adjusting in 1/2" increments the best hanger in the industry now works even better for kids!



Catalyst Front Frame Hardware



Catalyst caster housings now mount without any bolt ends or nuts on the inside of the frame. Sorry it took so long.

Upgraded Spoke Wheels & Hard Anodized Hand rims

So very many changes and upgrades to our standard spoke wheels, it is hard to know where to start.

Machined from Billet aluminum, this precision hub is far stronger than traditional spoke wheel hubs. Utilizing straight pull spokes this promotes a stiffer and stronger wheel. You will also notice the Ki Mobility logo laser etched into the sleek black HPL hub finish giving the wheels a more distinct and recognizable look.



We have made this new design available in all wheel sizes (18, 20, 22, 24, 25, 26").

We are very excited to announce that at no additional charge the 24, 25, and 26" standard aluminum hand rims are now a hard anodized finish. What this means to you is that they are resistant to scratching so they keep that "NEW" look longer.

Changing tires and hand rims can be difficult. With our new wheels we have gone to a screw mount attachment which is just easier to work with than the common tab style mount.

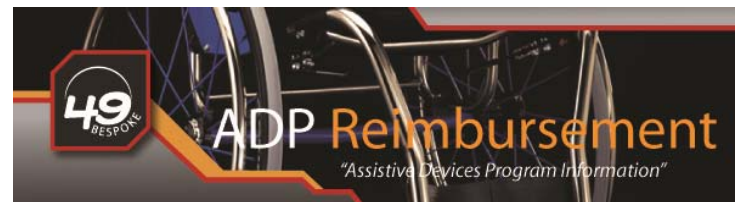
Increased Footrest Height Adjustment



We recently redesigned our hangers and extension tubes to give you an additional 3" of

adjustment! We realize the art of fitting your customer is not an exact science and sometimes it is those extra inches that make all the difference in the world. Now each hanger and extension tube assembly comes with a total of 4" of vertical adjustment.

The new adjustment ranges allow you to achieve a leg length as high as 13.5 or as low as 22" depending on your extension tube selection.



Bits and Bytes

- 49 RGK 25th Anniversary Celebrations July 6;
- 49 Omni Media SE CCAC Picton, ON Show June 25;
- 49 REE at ROO September 9, Richmond, BC;
- 49 OSOT Conference September 27-28, London, ON!

BESPOKE PLUS helps to market and promote **RGK Wheelchairs**, **VARILITE**® Seating and Positioning Systems, **KENDA**, and **Ki Mobility** products, along with Spinergy, Glance, Frog Legs, Schwalbe, Sun, MBL, Natural Fit, Blax, and other great products.

Please give us a call or contact the editor, Reg McClellan, if you have something that you think we should expound on.