

- Cash
- Insurance
- Grant
- VA _____

Rep.: _____
Event: _____

Name: _____
Address: _____
City: _____
State: _____ Zip: _____
Email: _____

Date: _____ SSN#: XXX - XX - _____
Age: _____ Weight (lbs.): _____ Height: _____"
Disability: _____
Tel #: () _____ - _____ (Home or Work)
Other Info: _____

FRAME SPECIFICATION

Model

SKYE (K0005) Retail: USD \$2,695

- 7000 SeriesAdd USD \$400
- Skye-Shock ModificationAdd USD \$1,100
- RadialAdd USD \$300

1) Seat Width (E2201- WIDTH 20-24")

- 14" • 15" • 16" • 17" • 18"

2) Seat Depth (E2203- DEPTH 20-22")

- 14" • 15" • 16" • 17" • 18"

2a) Total Length _____"

3) Rear Seat Height

- 15" • 16" • 17" • 18" • 19" • 20"

4) Front Seat Height

- 15" • 16" • 17" • 18" • 19" • 20"

5) Backrest Height

- 10" • 12" • 14" • 16" • Other: _____"

- Back Height Adj.: From _____" to _____" USD \$ 80

6) Back Angle

- 0° • 3° • 5° • Other: _____°

7) Foot Width

- 8" • 9" • 10" • 11" • Other: _____"

8) Lower Leg Length _____" (16", 17", etc.)

9) Backrest To Center Axle (C.G)

- 0" • 1" • 2" • 3" • Other: _____"

9a) Center Axle to Caster Housing

- 14" • 15" • 16" • 17" • Other: _____"

10) Side Wheel Clearance

- 1" • 1 1/2" • 2"

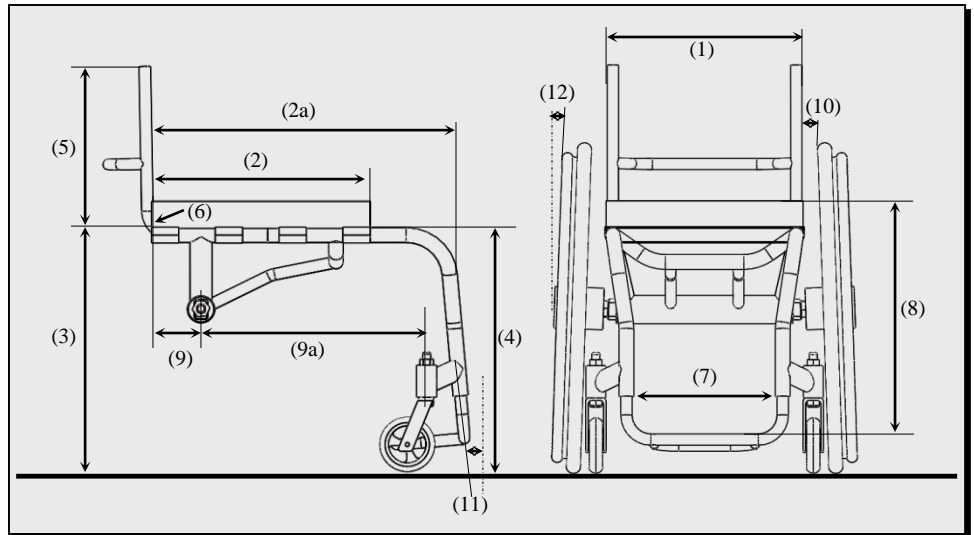
11) Front End Angle Relative to Floor

- 85° • 75°

12) Camber Angle

- 0° • 2° • 3°

Notes:



*Effective: June 2018

Pricing and specifications are subject to change without notice

Customer Service:
Telephone: 866-827-4548
Fax: 877-731-7745



49 Bespoke Inc.
www.49bespoke.com
Page 1 of 2

51 Caldari Road, Units 6-7B
Concord, ON L4K 4G3, Canada

PER4MAX SKYE

FRAME COLORS

- Sky White • Bonded Silver • Dormant Violet • Ruby Red • Glossy Black (Matte) • Metallic Grey (Matte)
- Safety Yellow • Candy Blue • Candy Red • Sparkle Green • Safety Orange • Polish (Brushed)
- Accessory Colors Standard Glossy or Matte Black Accessory Color Option _____ (one color additional: USD \$350)
see more options at per4max.fit
- Other: _____ USD \$TBD • Backrest • Footrest • Side Guards

BACK REST WHEELCHAIR OPTIONS

- Rigid NC
- Folding USD \$ 280

PUSH HANDLES

- Removable USD \$ 250
- Retractable USD \$ 250

SIDE GUARDS (K0108)

- Aluminum (Folding backrest requires removable or integrated) USD \$140
 - Removable..... Add USD \$90
 - Flip and Fold..... Add USD \$260
- Carbon Fiber USD \$500
- Special Size Aluminum (H _____ x L _____)..... USD \$230
- Removable Aluminum USD\$ 225

WHEEL LOCKS (E2206)

- Push Locks NC
- Scissors Locks USD \$220
- D's Locks USD \$650

CASTERS

- 3" (72mm) Micro NC
- 4x1.5" Aluminum USD \$100
- 5x1.5" Aluminum USD \$140
- 4x1" Aluminum USD \$100
- 5x1" Aluminum USD \$110
- Frog Legs (E1015) USD \$329
- Other _____ USD \$TBD

MISCELLANEOUS

- Swing Away Armrest (E0994) USD \$350
- Anti-Tip Bars (E0971) USD \$225
- Special Cushion (Roho, Stimulite Etc.) (E2603) USD \$TBD
- Foam Impact Guards (Leather or Standard)..... USD \$TBD
- Nylon Pouch USD \$150
- Plastic Foot Plate (K0042) USD \$80
- Tension Backrest Upholstery (E2611)..... USD \$300
- Seat Belt (E0978)..... USD \$125
- Other _____ USD \$TBD

WHEELS & TIRES

WHEELS

- Rear WheelsUSD \$300
 - 22" 24" 25" 26" 27"
- Spinergy WheelsUSD \$695
 - 22" 24" 25" 26" 27"
 - Black • White • Blue • Red • Yellow
 - Spinergy Light Extreme (LX, SLX)....Add USD \$200
 - X-LacedAdd USD \$50
 - Green • Orange • Pink • Purple

HAND RIMS SYLE

- Hard Anodized 6 tab **Std.**
 - Mounting Close to Tire
- Q- Grip USD \$300
- Natural Fit (Please Specify Style).....USD \$TBD
- Other _____ USD \$TBD

TIRES

- High Pressure Tires (E2211, E2212)..... **Std.**
- Schwalbe Marathon Plus USD \$50
- Primo Sentinel Tire USD \$100
- All Terrain Tires USD \$100
- Solid Airless Tires (E2218) USD \$110
- Other _____ USD \$TBD

Notes:

**Effective: June 2018*

Pricing and specifications are subject to change without notice

Customer Service:
Telephone: 866-827-4548
Fax: 877-731-7745



49 Bespoke Inc.
www.49bespoke.com
Page 2 of 2

51 Caldari Road, Units 6-7B
Concord, ON L4K 4G3, Canada