

- Cash
- Insurance
- Grant
- VA _____

PER4MAX THUNDER

Rep.: _____
Event: _____

Name: _____
Address: _____
City: _____
State: _____ Zip: _____
Email: _____

Date: _____ SSN# : XXX - XX - _____
Age: _____ Weight (lbs.): _____ Height: _____' _____"
Disability: _____
Tel #: () _____ - _____ (Home or Work)
Other Info: _____

FRAME SPECIFICATION

Model

THUNDER Retail: USD \$2995

- 7000 Series.....Add USD \$400
- Radial.....Add USD \$300
- 5/8 Axle.....Add USD \$100

SPORT:

- Basketball
- Tennis
- Softball (No Front Bumper)

1) Seat Width

- 12" • 13" 14" • 15" 16" • 17" 18"
- Optional Tapered @ the Knee _____" USD \$125

2) Seat Depth

- 12" • 13" 14" • 15" 16" • 17" 18"

3) Total Length _____"

4) Rear Seat Height

- 17" • 18" 19" • 20" 21" • Other _____"
- Optional Plastic Seat Plate..... USD \$125

5) Front Seat Height

- 17" • 18" 19" • 20" 21" • Other _____"

6) Backrest Height

- 8" • 10" 12" • 14" • Other: _____"
- Back Height Adj. : From _____" to _____" USD \$80

7) Back Angle

- 0° • 3° • 5°
- Other: _____° (⊥ Seat or ⊥ Floor)

8) Foot Width

- 7" 8" 9" 10" Other: _____"

9) Lower Leg Length _____" (16", 17", etc.)

10) Backrest To Center Axle

- 4" 5" 6" 7" Other: _____"

11) Center Axle To Caster Housing

- 15" 16" 17" 18" Other: _____"

12) Caster Housing To Front Foot Plate

- 6" Std. Other: _____"

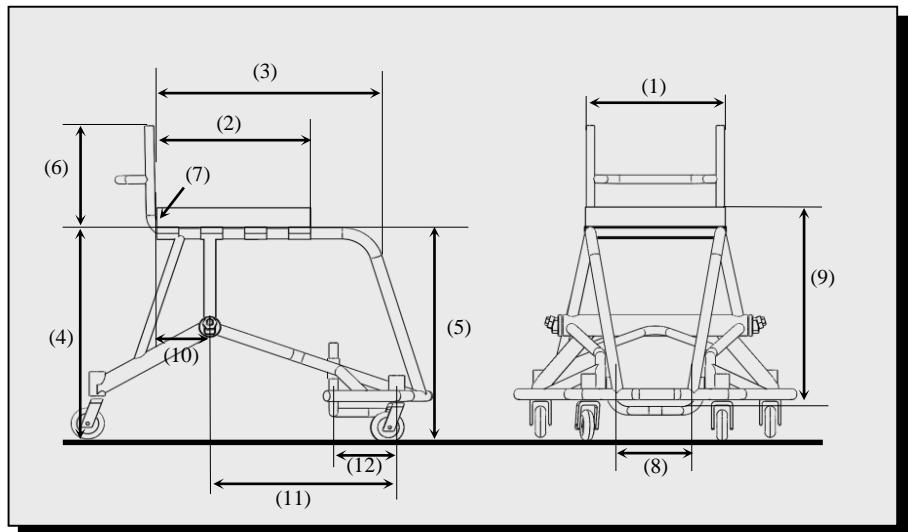
13) Side Wheel Clearance

- 1/2" 1" 1 1/2" 2"

14) Camber Angle

- 15° • 17° • 18° • 20° • Other: _____°

Notes:



*Effective: June 2018

Pricing and specifications are subject to change without notice.

Customer Service:
Telephone: 866-827-4548
Fax: 877-731-7745



49 Bespoke Inc.
www.49bespoke.com
Page 1 of 2

51 Caldari Road, Units 6-7B
Concord, ON L4K 4G3, Canada

PER4MAX THUNDER

FRAME COLORS

- Sky White • Bonded Silver • Dormant Violet • Ruby Red • Glossy Black (Matte) • Metallic Gray (Matte)
 - Safety Yellow • Candy Blue • Candy Red • Sparkle Green • Safety Orange • Polish (Brushed)
 - Accessory Colors Standard Glossy or Matte Black Accessory Color Option _____ (one color additional: USD \$350)
- see more options at [per4max.fit](#)*
- Other: _____ \$TBD • Backrest • Footrest • Side Guards

WHEELCHAIR OPTIONS

5th WHEEL

- Rigid **Std.**
- Dual Rigid USD \$250
- Removable USD \$250

CLICK STRAP

- Waist Strap Size _____" USD \$100
- Lap Strap Size _____" USD \$75
- Foot Strap Size _____" USD \$75

BACK REST

- Rigid **Std.**
- Continuous USD \$280
 - Optional Welded Sideguard w/ rail..... Add USD \$260

SIDE GUARDS (std. fixed)

- Aluminum USD \$140
- Carbon Fiber USD \$500
- Special Size Aluminum (H_____x L_____). USD \$230

CASTERS

- 3" (72mm) Micro **Std.**
- Other _____ USD \$TBD

MISCELLANEOUS

- Hard Cushion USD \$120
- Special Cushion (Roho, Stimulite Etc.)..... USD \$TBD
- Foam Impact Guards (Leather or Standard) USD \$TBD
- Tension Backrest Upholstery USD \$300
- Footplate (Plastic or Carbon Fiber)..... USD \$TBD
- Custom Wing Cut Outs _____ USD \$350
- Other _____ USD \$TBD

WHEELS & TIRES

WHEELS

- Rear Wheels USD \$300
 - 22" 24" 25" 26" 27"
- Spinergy Wheels USD \$695
 - 22" • 24" 25" 26" 27"
 - Black • White • Blue • Red • Yellow
 - Spinergy Sport Light Extreme (SLX) add USD \$200
 - X-Laced Add USD \$50
 - Green • Orange • Pink • Purple

HAND RIMS SYLE

- Hard Anodized 6 tab **Std.**
 - Mounting Close to Tire
- Hard Anodized 12 tab USD \$95
 - Mounting Close to Tire
- Other _____ USD \$TBD

TIRES

- High Pressure Tires **Std.**
- Schwalbe Speed Air Tires USD \$150
- IRC (only 27")..... USD \$170
- Kenda (Specify color)..... USD \$60
- Other _____ USD \$TBD

Notes:

*Effective: June 2018

Pricing and specifications are subject to change without notice

Customer Service:
Telephone: 866-827-4548
Fax: 877-731-7745



49 Bespoke Inc.
www.49bespoke.com
Page 1 of 2

51 Caldari Road, Units 6-7B
Concord, ON L4K 4G3, Canada