

- Cash
- Insurance
- Grant
- Other\_\_\_\_\_

# PER4MAX SKYE-TRANS4MAX

Rep.: \_\_\_\_\_  
Event: \_\_\_\_\_

Name: \_\_\_\_\_  
Address: \_\_\_\_\_  
City: \_\_\_\_\_  
State: \_\_\_\_\_ Zip: \_\_\_\_\_  
Email: \_\_\_\_\_

Date: \_\_\_\_\_ SSN#: XXX - XX - \_\_\_\_\_  
Age: \_\_\_\_\_ Weight (lbs.): \_\_\_\_\_ Height: \_\_\_\_\_' \_\_\_\_\_"  
Disability: \_\_\_\_\_  
Tel #: ( ) \_\_\_\_\_ - \_\_\_\_\_ (Home or Work)  
Other Info: \_\_\_\_\_

## FRAME SPECIFICATION

### Model

Trans4max..... Retail: USD \$3,495

5/8 Axle.....Add USD \$100

Radial.....Add USD \$300

### 1) Seat Width

14"  15"  16"  17"  18"

### 2) Seat Depth

14"  15"  16"  17"  18"

2a) Total Length \_\_\_\_\_"

### 3) Rear Seat Height

15"  16"  17"  18"  19"  20"

### 4) Front Seat Height

15"  16"  17"  18"  19"  20"

### 5) Backrest Height

10"  12"  14"  16"  Other: \_\_\_\_\_"

Back Height Adj.: From \_\_\_\_\_" to \_\_\_\_\_" ..... USD \$80

### 6) Back Angle

• 0° • 3° • 5° • Other: \_\_\_\_\_°

### 7) Foot Width

8"  9"  10"  11"  Other: \_\_\_\_\_"

### 8) Lower Leg Length \_\_\_\_\_" (16", 17", etc.)

### 9) Backrest To Center Axle (C.G)

0"  1"  2"  3"  Other: \_\_\_\_\_"

### 10) Center Axle to Caster Housing

14"  15"  16"  17"  Other: \_\_\_\_\_"

### 11) Side Wheel Clearance

1"  1 1/2"  2"

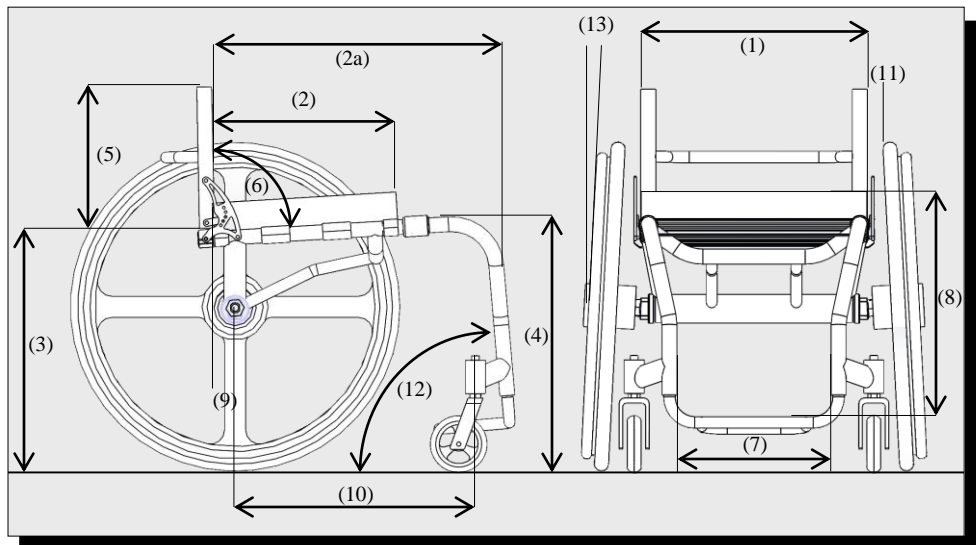
### 12) Front End Angle Relative to Floor

• 85° • 80° • 75°

### 13) Camber Angle

• 0° • 2° • 3°

# Notes:



\*Effective: June 2018

Pricing and specifications are subject to change without notice.

Customer Service:  
Telephone: 866-827-4548  
Fax: 877-731-7745



49 Bespoke Inc.  
www.49bespoke.com  
Page 1 of 2

51 Caldari Road, Units 6-7B  
Concord, ON L4K 4G3, Canada

# PER4MAX SKYE-TRANS4MAX

## FRAME COLORS

- Sky White    • Bonded Silver    • Dormant Violet    • Ruby Red    • Glossy Black    • Matte Black    • Safety Yellow
- Candy Blue    • Candy Red    • Sparkle Green    • Safety Orange    • Polish (Brushed)
- Accessory Colors Standard Glossy or Matte Black    Accessory Color Option \_\_\_\_\_ (one color additional: USD \$350)
- Other: \_\_\_\_\_ USD \$TBD    • Backrest    • Footrest    • Side Guards

### BACK REST

- Rigid ..... NC
- Folding ..... NC

### PUSH HANDLES

- Removable ..... USD \$250
- Retractable ..... USD \$250

### SIDE GUARDS (K0108)

- Aluminum (Folding backrest requires removable or integrated) USD\$140
  - Removable..... Add USD \$90
  - Flip and Fold..... Add USD \$260
- Carbon Fiber ..... USD \$500
- Special Size Aluminum (H\_\_\_\_\_ x L\_\_\_\_\_ )..... USD \$230
- Removable Plastic ..... USD \$225

### WHEEL LOCKS (E2206)

- Push Locks ..... NC
- Scissors Locks ..... USD \$220
- D's Locks ..... USD \$650

### CASTERS

- 3" (72mm) Micro ..... NC
- 4x1.5" Aluminum ..... USD \$100
- 5x1.5" Aluminum ..... USD \$140
- 4x1" Aluminum ..... USD \$ 100
- 5x1" Aluminum ..... USD \$110
- Frog Legs (E1015) ..... USD \$329
- Other \_\_\_\_\_ USD \$TBD

### MISCELLANEOUS

- Swing Away Armrest (E0994) ..... USD \$350
- Anti-Tip Bars (E0971) ..... USD \$225
- Special Cushion (Roho, Stimulite Etc.) (E2603) ..... USD \$TBD
- Foam Impact Guards(Leather or Standard..... USD \$TBD
- Nylon Pouch ..... USD \$150
- Plastic Foot Plate (K0042) ..... USD \$80
- Tension Backrest Upholstery (E2611)..... USD \$300
- Seat Belt (E0978)..... USD \$125
- Other \_\_\_\_\_ USD \$TBD

### WHEELS & TIRES

#### WHEELS

- Rear Wheels .....USD \$300
  - 24"     25"     26"     27"
- Spinergy Wheels .....USD \$695
  - 24"     25"     26"     27"
  - Black • White • Blue • Red • Yellow
  - Spinergy Light Extreme (LX, SLX)....Add USD \$200
    - X-Laced .....Add USD \$50
    - Green • Orange • Pink • Purple

#### HAND RIMS SYLE

- Hard Anodized 6 tab ..... **Std.**
  - Mounting Close to Tire
- Q- Grip ..... USD \$300
- Natural Fit (Please Specify Style)..... USD \$TBD
- Other \_\_\_\_\_ USD \$TBD

#### TIRES

- High Pressure Tires (E2211, E2212)..... **Std.**
- Schwalbe Marathon Plus .....USD \$50
- Primo Sentinel Tire .....USD \$100
- All Terrain Tires .....USD \$100
- Solid Airless Tires (E2218) ..... USD \$110
- Other \_\_\_\_\_ USD \$TBD

# Notes:

\*Effective: June 2018

Pricing and specifications are subject to change without notice

Customer Service:  
Telephone: 866-827-4548  
Fax: 877-731-7745



**49 Bespoke Inc.**  
www.49bespoke.com  
Page 1 of 2

51 Caldari Road, Units 6-7B  
Concord, ON L4K 4G3, Canada