



Serial Number: \_\_\_\_\_

Manufacturing Date: \_\_\_\_\_/20\_\_\_\_\_



49 Bespoke Inc. 51 Caldari Road, Units 6-7B  
Concord, ON  
L4K 4G3, Canada

Telephone: +1.866.827.4548  
Fax: +1.877.731.7745

49@49Bespoke.com www.49Bespoke.com



Distributor Name: \_\_\_\_\_

Contact Name: \_\_\_\_\_

Address: \_\_\_\_\_

Postcode: \_\_\_\_\_

Country: \_\_\_\_\_

Telephone: \_\_\_\_\_

Email: \_\_\_\_\_

Dealers Name: \_\_\_\_\_

Client's Name: \_\_\_\_\_

Client's Weight: \_\_\_\_\_

Client's Height: \_\_\_\_\_

Client's Disability: \_\_\_\_\_

Purchase Order No: \_\_\_\_\_

Delivery Address: \_\_\_\_\_

Postcode: \_\_\_\_\_

Contact Name: \_\_\_\_\_

Telephone: \_\_\_\_\_

Email: \_\_\_\_\_

Notes/Comments:

Do Not Use for Specification Information

**FOR RGK OFFICE USE ONLY**

Distributor: \_\_\_\_\_

A/C No: \_\_\_\_\_

Net Value: \$ \_\_\_\_\_

Freight: \$ \_\_\_\_\_

Invoice Value: \$ \_\_\_\_\_

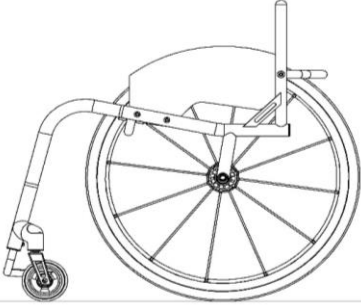
Payment Received: \$ \_\_\_\_\_

	Who	Date
OK to Quote:		
OK to Confirm:		
Document No:	DOC	

●	Base product	⚠	Mandatory information	ⓘ	Information required for option
■	Standard configuration	□	Option with no extra cost	○	Option with extra cost

●	SBAXZ010	TIGA Sub4 A7020	
			\$ 7,210.00
■	XA070	Frame open design	



Max User Weight 110kg

○	XW010	NC
---	-------	----

**KEY FRAME MEASUREMENTS**

- XY010 Seat width *(Inside of sideguards)*

⚠  mm *(Max - 440mm)*  
*(Min - 250mm)*
- XY020 Seat length

⚠  mm *(Max - 440mm)*  
*(Min - 250mm)*
- XY030 Seat frame additional length *(Provides additional leg support & hand grip)*

ⓘ  mm *(Max - 440mm total seat)*
- XY050 Front frame height

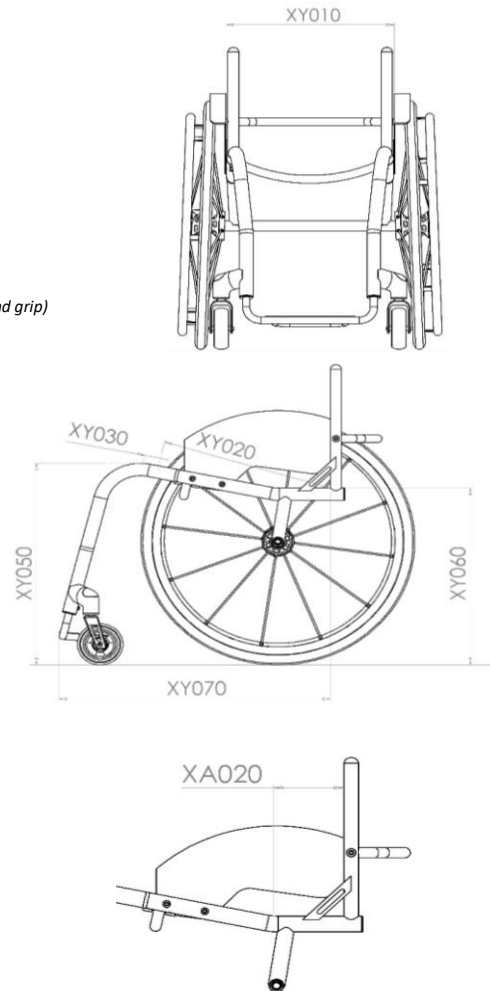
⚠  mm *(Max - 520mm)*  
*(Min - 380mm)*
- XY060 Rear frame height

⚠  mm *(Max - 500mm)*  
*(Min - 360mm)*
- XY070 Frame length

⚠  mm *(Min = XY020 + XY030 + 110mm)*  
*(Max - 625mm)*
- XA020 Frame ergonomic seat

\$ 96.00

ⓘ Specify length  mm *(Standard = 120mm)*



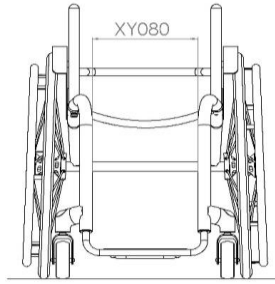
**FRONT FRAME AND FOOTREST**

Front Frame Options

XY080 Front seat taper design

Specify width  
 mm

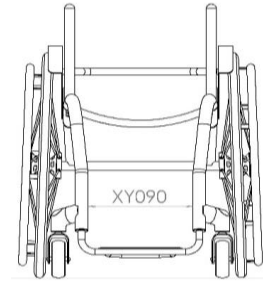
*(Optional, to provide additional leg support / positioning)*



Footrest width

Specify width  
 mm

*(When combined with XY080, dimensions must be smaller)*



Footrest Design & Measurements (Choose One)

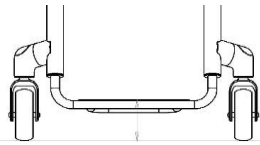
XY100 Footrest round design  
*(Minimum 60mm)*

Please indicate front footrest height:

60  80  100  120

Individual

mm



Castor Wheel Size	Max Height Achievable
4"	110mm

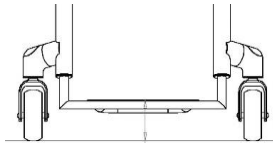
XY105 Footrest square design *(Square design allows higher position)* *(Minimum 60mm)*

Please indicate front footrest height:

60  80  100  120

Individual

mm



Castor Wheel Size	Max Height Achievable
4"	130mm

Footrest Individual Measurements

Rear footrest height

mm

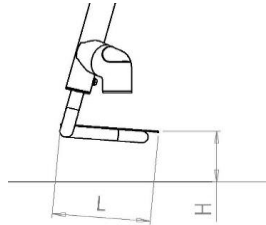
Optimise measurements  
*(Std = Footrest height - 20mm)*

Footrest length

mm

Maximum length 140mm

Optimise measurements  
*(Std = 100mm)*



Footrest Style

XB010 Footrest height adjustable lightweight tubular aluminium

Footrest Cover

XB045 Footrest cover lightweight carbon fibre

**CASTOR WHEELS, FORKS & WHEEL LOCKS**

Castor Wheels

- XC135 Castor wheel 4x1.25" aluminium centre with urethane tyre frog legs  
Choose colour below:



- |  |   |
|--|---|
| <input type="checkbox"/> Silver hub & black tyre (Std) | <input type="checkbox"/> Green hub & black tyre |
| <input type="checkbox"/> Black hub & black tyre        | <input type="checkbox"/> Red hub & black tyre   |
| <input type="checkbox"/> Purple hub & black tyre       | <input type="checkbox"/> Blue hub & black tyre  |

Castor Forks

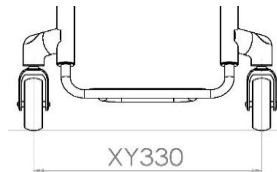
- XC190 Castor fork low ride daily use



- Black
- Silver

Castor Pin Width

- XY330 Castor pin width
- Optimise measurements  
(Minimum width for clear castor rotation and maximum wheelbase length)



Wheel Lock Options

- SBAXD036 Wheel locks compact scissor with lightweight fixing
- XD010 Wheel locks omit

**SIDEGUARDS**

Sideguard

Carbon Fibre Options

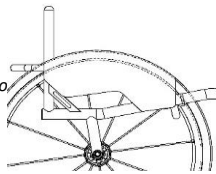
- XE055 Sideguards screw on lightweight carbon fibre

Sideguard Measurements  
Optimised measurements

- Sideguard individual above tyre  
(Follow tyre) max 25mm

mm

- Sideguard level with tyre (Follow tyre)



Sideguard with Fender

Carbon Fibre Options

- XE065 Sideguards screw on lightweight carbon fibre with fender

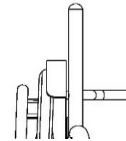
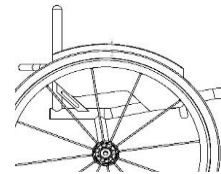
Sideguard Measurements  
Optimised measurements

- Fender sideguard height above tyre (Min = 10mm)


mm

- Optimise  
10mm above tyre (Std if not indicated)

- Fender sideguard to centre of tyre




BACKREST		
Backrest Height - Fixed	Backrest Design - Fixed	
<input checked="" type="checkbox"/> Backrest height fixed Specify height <input style="width: 100px; border: 1px solid black;" type="text"/> mm 	<input checked="" type="checkbox"/> XG010 Backrest fixed (Non-folding) 	
Ergonomics - Rearward Positioning (Choose One)		
<input checked="" type="checkbox"/> XY360 Backrest angle -5   -3   0   +3   +5 Individual <input style="width: 100px; border: 1px solid black;" type="text"/> Deg (Max -10/+20 Deg) 	<input type="checkbox"/> XG100 Backrest ergonomic \$ 116.00 Vertical height (Min 250mm) <input style="width: 100px; border: 1px solid black;" type="text"/> mm Rearward position <input style="width: 100px; border: 1px solid black;" type="text"/> mm 	
Ergonomics - Lateral Positioning (Choose One)		
<input type="checkbox"/> XG110 Backrest inward taper \$ 116.00 (Above sideguards) Width <input style="width: 100px; border: 1px solid black;" type="text"/> mm 	<input type="checkbox"/> XG120 Backrest outward flare \$ 116.00 (Above sideguards) Width <input style="width: 100px; border: 1px solid black;" type="text"/> mm 	
CAMBER BAR		
Specify Camber Angle	Fixed Centre of Gravity	
<input checked="" type="checkbox"/> XY390 Camber angle 1   2   3 	<input checked="" type="checkbox"/> SBAXH100 Camber bar fixed position welded into frame single post (25-125mm) <input style="width: 100px; border: 1px solid black;" type="text"/> mm 	
FRAME FINISH OPTIONS		
Frame and Footrest		
<input type="checkbox"/> SBAXN030 Finish frame brushed	<input type="checkbox"/> SBAXN050 Finish frame polished	
Accent Colour (Choose One)		
<input type="checkbox"/> Finish accent colour black <input type="checkbox"/> Finish accent colour red <input type="checkbox"/> Finish accent colour purple	<input type="checkbox"/> Finish accent colour silver <input type="checkbox"/> Finish accent colour blue	
UPHOLSTERY		
Seat Upholstery		
<input checked="" type="checkbox"/> XP045 Upholstery seat sling Sub4 adjustable tension		
Backrest Upholstery		
<input checked="" type="checkbox"/> XP035 Upholstery backrest Sub4 adjustable tension		
Backrest Upholstery Stitching Options		
<input type="checkbox"/> Silver (Standard if not indicated) <input type="checkbox"/> Red	<input type="checkbox"/> Black <input type="checkbox"/> Light blue	<input type="checkbox"/> Blue <input type="checkbox"/> Purple
Other Upholstery		
<input checked="" type="checkbox"/> XS065 Accessory lightweight Calf Strap		

REAR WHEELS (* non certified weight options)			
Wheel Size			
<input type="checkbox"/> XY420 Wheel size 24"	<input type="checkbox"/> XY430 Wheel size 25"		
Wheel Gap			
<input checked="" type="checkbox"/> XY460 Rear wheel gap	15 <input type="checkbox"/> 20 <input type="checkbox"/> 25 <input type="checkbox"/>		XY460
Wheel Options			
<input checked="" type="checkbox"/> XK225 Wheel titanium quick release axle pin (pair)	<input checked="" type="checkbox"/> XK075 Wheel Spineray <b>BLXL</b> 18 blade spoke daily, rivnut handrim mounting (select colour below - <b>Note: Black hub only</b> )		
<b>Spineray Colour Options</b>		<input type="radio"/> XK180 Spineray spoke colour custom \$ 170.00 (Specify below)	<input style="width: 100%; height: 20px;" type="text"/>
<input type="checkbox"/> Black spoke / Black hub	<input type="checkbox"/> White spoke / Black Hub	<input type="radio"/> Colour inside	<input style="width: 100%; height: 20px;" type="text"/>
<input type="checkbox"/> Red spoke / Black hub	<input type="checkbox"/> Blue spoke / Black hub	<input type="radio"/> Colour outside	<input style="width: 100%; height: 20px;" type="text"/>
<input type="checkbox"/> Yellow spoke / Black hub	<input type="checkbox"/> Green spoke / Black hub	<i>Note: Supply picture for custom designs</i>	
<input type="checkbox"/> Pink spoke / Black hub	<input type="checkbox"/> Orange spoke / black hub		
<input type="radio"/> XK040 Wheel omit / supply without \$ (212.00) (Specify wheel type / size / tyre)	<input style="width: 100%; height: 20px;" type="text"/>		
Handrim Position			
<input type="checkbox"/> Handrim set narrow (Standard if no option selected)	<input type="checkbox"/> Handrim set wide		
Handrim Options			
<input type="checkbox"/> XL010 Handrim aluminium hard anodised 6 tab (Lightest Option) (Standard if no option selected)	<input type="radio"/> XL040 Handrim titanium 6 tab \$ 355.00		
<input type="radio"/> XL030 Handrim surge LT 6 tab \$ 499.00	<input type="radio"/> XL050 Handrim stainless steel 6 tab \$ 197.00		
<input type="radio"/> XL020 Handrim tetra grip 6 tab \$ 318.00	<input type="radio"/> XL090 Handrim remove excess mounting tab \$ 116.00 (Recommended when XY460 is 20mm or less) (Narrow set only)		
<input type="radio"/> XL100 Handrim para grip 6 tab \$ 318.00			
Tyre Options			
<input type="radio"/> XM060 Tyre Schwalbe One (Lightest option) \$ 106.00	<input type="checkbox"/> XM010 Kenda Tyre High Pressure		
<input type="radio"/> XM130 Kenda black \$ 22.00	<input type="checkbox"/> Grey (Standard if no option selected)		
<input type="radio"/> XM020 Tyre Schwalbe Marathon Plus \$ 79.00	<input type="checkbox"/> Blue		
<input type="radio"/> XM040 Tyre Shox solid airless black only \$ 128.00 (24",25" only)	<input type="checkbox"/> Red		
	<input type="radio"/> XM050 Tyre Kenda K885 mountain bike tyre \$ 32.00 (24",25" only)		
Inner Tube Valve Options			
<input type="checkbox"/> XY500 Schraeder inner tube valve (Standard if no option selected)	<input type="checkbox"/> XY490 Presta inner tube valve		

\* Indicates items that are not part of the certified weight of the Tiga Sub4



OTHER (** non certified weight options)		
Footrest		
<input type="radio"/>	XB200 Footrest with high level riser system \$ 160.00	Please indicate front footrest height:  <input style="width: 100px; height: 20px;" type="text"/> mm
Castor wheels 3 and 5"		
<input type="radio"/>	XC150 Castor wheel 3x1.4" aluminium centre frog legs \$ 185.00 (Silver hub and black urethane tyre)	
<input type="checkbox"/>	XC070 Castor wheel 5x1.3" soft roll black	
<input type="radio"/>	XC100 Castor wheel 5" pneumatic aluminium centre \$ 197.00	
<input type="radio"/>	XC120 Castor wheel 5x1" aluminium centre frog legs \$ 185.00 (Silver hub & black urethane tyre)	
<input type="radio"/>	XC140 Castor wheel 5x1.4" aluminium centre frog legs \$ 185.00 (Silver hub & black urethane tyre)	
Wheel Lock Options		
<input type="checkbox"/>	XD020 Wheel locks underseat scissor	<input type="checkbox"/> XD050 Wheel locks push to lock
Sideguards		
<input type="radio"/>	XE030 Sideguards screw on aluminium, indicate size on page 4 \$ 260.00	
Backrest Options		
<input type="radio"/>	SBAXG020 Backrest folding with 2 position snap lock and angle adjust \$ 304.00	
Push handle Options		
<input type="radio"/>	XG070 Backrest with screw in push handles (N/A with XY245) \$ 180.00	<input type="radio"/> XG080 Backrest with flip down push handles \$ 350.00
Anti-Tip Options		
<input type="radio"/>	XJ100 Anti tip single sport \$ 402.00	
Seat Upholstery		
<input type="checkbox"/>	XP040 Upholstery seat sling adjustable tension with straps	<input type="radio"/> XR050 Accessory carbon fibre seat plate in lieu of seat upholstery \$ 382.00
Backrest Upholstery		
<input type="checkbox"/>	XP050 Upholstery backrest Airtech adjustable tension with straps	
Backrest Upholstery Leather Options (only with XP050)		
<input type="radio"/>	XP070 Upholstery upgrade to leather corners on side wings - (N/A with XG080) \$ 96.00	
<input type="checkbox"/>	Leather colour black (Standard if not Indicated)	<input type="checkbox"/> Leather colour red
		<input type="checkbox"/> Leather colour grey
Backrest Upholstery Stitching Options (only with XP050)		
<input type="checkbox"/>	Silver (Standard if not indicated)	<input type="checkbox"/> Black
		<input type="checkbox"/> Blue
<input type="checkbox"/>	Red	<input type="checkbox"/> Light blue
		<input type="checkbox"/> Purple
Backrest Upholstery Logo Options (only with XP050)		
<input type="checkbox"/>	Silver (Standard if not indicated)	<input type="checkbox"/> Black
		<input type="checkbox"/> Blue
<input type="checkbox"/>	Red	<input type="checkbox"/> Light blue
		<input type="checkbox"/> Purple
Backrest Accessories (only with XP050)		
<input type="radio"/>	XP110 Upholstery backrest with zip fasten pocket \$ 101.00	<input type="radio"/> XP170 Upholstery with individual embroidery \$ 160.00 (Please provide .jpeg file and positioning)

\*\* indicates options that, when chosen, will not enable RGK to guarantee a Sub4kg product weight



