

Fatbike Ordreform

User Information	
Username	
Adress	
Zip-code & City	
Phone	
E-Mail	
Weight	kg
Height	cm
Offer Only	Order
Newsletter	
Payment Details	
Your PO Number	
Invoice Recipient	
Phone	
E-Mail	
Contact	
Name and Address	
Phone	
E-Mail	
Shipping Information	
Consultant	
User	
Dealer	
Other Adress	
Consultant	Date



Handbike Standard Equipment

- Fully welded and hardened
- Made of Aluminium 7020 T6
- Fatbike tires
- 3 Disc brakes
- Electric engine 240W
- 11 gears
- ILSA Wing Back
- Bottlecage
- Powerplates
- Safety belt
- Bafang Display
- Battery

Taylormade handbike

DECAL: User's name or other message on the frame

--

! Farbe (Pflichtangaben) / Farve (skal udfyldes)

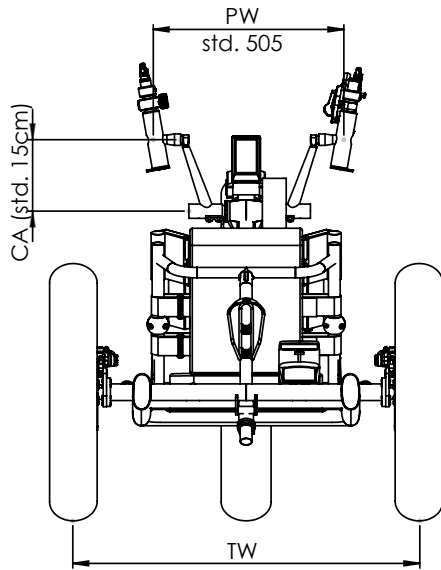
6190 0000 2109	White	6190 0000 2609	Orange
6190 0000 2209	Green	6190 0000 2709	Blue
6190 0000 2409	Red	6190 0000 2809	Matte black
6190 0000 2509	Shiny black	6190 0000 3109	Gray inestructure

6190 0000 3009	Special colour	! Colour code	
----------------	----------------	---------------	--

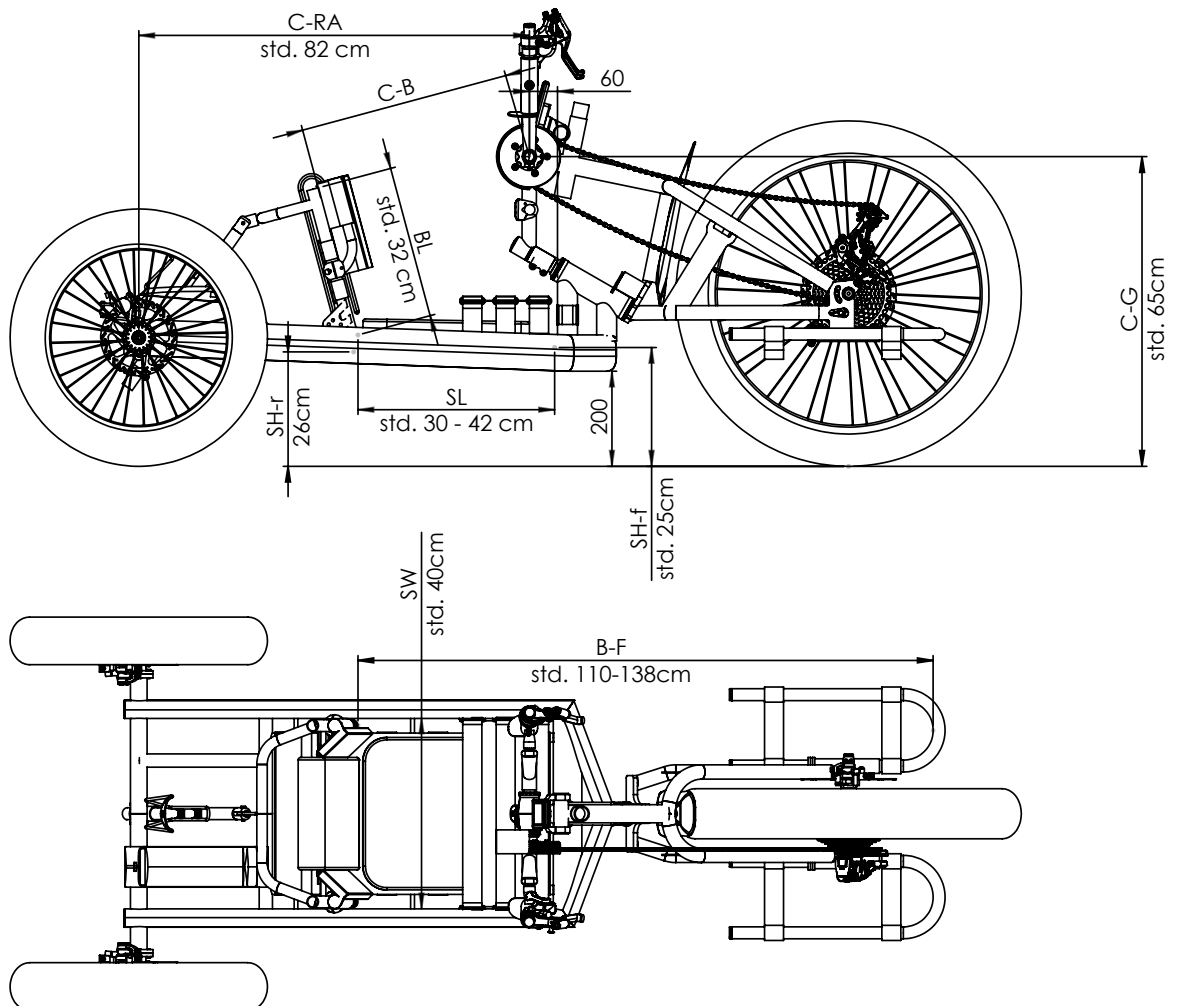
	Other colour for front fork	Colour code (use number from above)	
--	-----------------------------	-------------------------------------	--

Accessories (recommended choice)

	Leg support	<i>Long (Std.)</i>	<i>Short</i>	Long: 105-125 cm Short: 85-105 cm
9540 4200 0000	<i>Light holder</i>			
8890 1000 0003	Wireless computer			
	Tube on chainguard f/ Garmin bike computer	High position	Low position	
8890 1000 0015	Bottlecage carbon fiber			
9540 9940 0070	Extra battery			
	Extra battery bracket on bike			
8897 0000 0030	Cushion (30 mm thick)			
8890 1000 0031	Flag			
8890 1000 0028	Mirror			
8897 0000 0200	Light diodes with handbike fittings			



		Std. Fatbike	Custom
C-B	Crank to Back	_____ cm	_____ cm
C-RA	Crank to Rear Axle	82cm	_____ cm
BL	Back Length	32 cm	_____ cm
S-L	Seat Length	_____ cm	_____ cm
C-G	Crank Height from Ground	65 cm	_____ cm
SH-r	Seat Height Rear	26 cm	_____ cm
SH-f	Seat Height Front	25 cm	_____ cm
B-F	Back to Footrest	_____ cm	_____ cm
CA	Crank Arm Length	15 cm	_____ cm
SW	Seat Width	40 cm	_____ cm
PW	Pedal Width	50,5 cm	_____ cm
TW	Track Width	73 cm	_____ cm



Notizen / Noter