

Tennis Wheelchair

Sport Wheelchair for Tennis



49 Bespoke Inc.
 51 Caldari Road, Units 6-7B
 Concord, ON L4K 4G3, Canada
 Telephone: +1.866.827.4548
 Fax: +1.877.731.7745
 49@49bespoke.com
 www.49bespoke.com

Orderform

User information	
User name	
Address	
Phone	
E-mail address	
Weight	_____ kg
Size	_____ cm
<input type="checkbox"/> Only offer	<input type="checkbox"/> Order
Payment details	
EAN nummer	
Your PO number	
Invoice recipient	
Phone	
E-mail address	
Contact person	
Name + address	
Phone	
E-mail address	
Shipping information	
<input type="checkbox"/>	Consultant
<input type="checkbox"/>	User
<input type="checkbox"/>	Other address:
Notes	
Consultant	Date



Standard Equipment

- Taylormade sport wheelchair
- Fully welded or adjustable versions available
- Made of 7020 T6 aluminium
- Adjustable seat and back upholstery
- Impact-resistant anodised frame
- Drive wheels with quick-release axles

Taylor-made wheelchair

Remarks

REMARKS

- this combination/option is available
- this combination/option is **not** available
- ! this information is mandatory and must always be filled in

For options or solutions not mentioned in this orderform contact 49 Bespoke Inc.

DECAL: User's name or other message on the frame

! Model (mandatory)

3110 3940 1109	<input type="checkbox"/>	Welded with two front wheels - (see drawing page 10)
3110 3940 1109	<input type="checkbox"/>	Welded with one front wheel - (see drawing page 10)

! Colour (mandatory)

6190 0000 1109	<input type="checkbox"/>	Silver anodized	6190 0000 2509	<input type="checkbox"/>	Shiny black
6190 0000 2109	<input type="checkbox"/>	White	6190 0000 2609	<input type="checkbox"/>	Orange
6190 0000 2209	<input type="checkbox"/>	Green	6190 0000 2709	<input type="checkbox"/>	Blue
6190 0000 2309	<input type="checkbox"/>	Golden brown	6190 0000 2809	<input type="checkbox"/>	Matt black
6190 0000 2409	<input type="checkbox"/>	Red			
6190 0000 3009	<input type="checkbox"/>	Custom colour	! Colour code	_____	

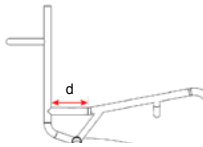
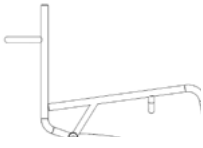
Custom made from drawing/notes (page 9)

	<input type="checkbox"/>	Custom made ideas/solutions from own drawing/notes (page 9)
--	--------------------------	---


! Frame data (mandatory)						
	[!]	SW: Seat width - outer measurement (std. 36, 38, 40, 42 cm)		_____ cm	Drawings page 10	
	[!]	FD: Frame depth (std 44 cm) (see also note (1) below)	_____ cm	SD-min (1) = Shortest seatd. (std. 39 cm) [!]	_____ cm	
6160 00?? 0009	[!]	SH-r: Seat height at rear edge seat to floor (std. 45 cm)		_____ cm	Drawings page 10	
6150 00?? 0009	[!]	SH-f: Seat height at front at seat depth point to floor (std. 51 cm)		_____ cm		
6115 00?? 0009	[]	C: Camber angle rear axle (std. 18°)		_____ °	Drawings page 10	
81?? ???? FF09	[!]	BH: Back height (std. 32 cm)	_____ cm	BH-max (1) : (std. 39 cm)		_____ cm
	[!]	CW: Distance between the casters (center to center)		_____ cm		
These 3 measures will normally be optimized in the production process	[]	BC: Front of backrest to center of casters (std. 58 cm)		_____ cm		
	[]	TW: Total width including wheels		_____ cm		
	[]	TF: Distance between sideguards and top of rear wheel (std. 2,5 cm)		_____ cm	Drawings page 10	
(1) Seat adjustability: You must fill in SD-min and define the minimum needed seat depth.						

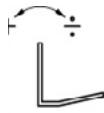
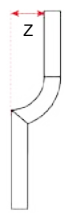
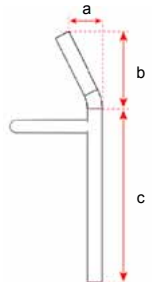
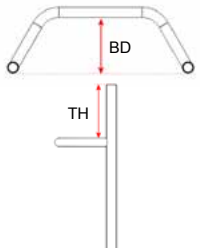
! Rear axle (mandatory)					
6911 0000 0050	[]	Adjustable axle	!	RA: (std. 8-20 cm)	_____ cm
6110 00?? 0009	[]	Fixed axle, welded	!	RA: (std. 16 cm)	_____ cm
Rear axle system	[]	½" Q-release (standard)	[]	Wrex 25 mm, 0-tolerance axle, only Wrex wheel (p. 8)	
Rear wheel size	[!]	_____ (std. 26")	Front wheel size	_____ (std. 3"/76 mm)	Selection page 8

Sideguard attachment system (recommended choice)			
6810 0001 0005	<input type="checkbox"/>	Fixed by welding (aluminium only) (std.)	
6810 0001 0050	<input type="checkbox"/>	Fixed by screws on welded tabs	
6810 0001 0055	<input type="checkbox"/>	Fixed with rivet nuts	
6810 0001 0006	<input type="checkbox"/>	Welded tube for straps attached with velcro	

! Choice of seat (mandatory)			
6100 00?? 0009	<input type="checkbox"/>	Ergo seat (std)	<input type="checkbox"/> d: (std.12 cm) _____ cm
			
6100 0000 0009	<input type="checkbox"/>	Straight seat tubes	
6910 0001 0010	<input type="checkbox"/>	SF: Fixation holes for straps in seat tubes, dist from back (std. 32 cm)	_____ cm
6910 0001 0011	<input type="checkbox"/>	Fixation holes for straps, rear frame tubes	Always 4 cm lower than seat

Knee support			<input type="checkbox"/> NO
8893 0001 00??	<input type="checkbox"/>	Knee support	
	<input type="checkbox"/>	Adjustable by angle	see photo below
	<input type="checkbox"/>	As drawn below	

Own drawing	Adjustable by angle
	

! Back system (mandatory)						
8111 ???? 1009	!	Fixed back, welded	[]	BA: Back angle (std. 0 cm)	_____ ± cm	 <p style="font-size: small; margin-top: 5px;">+ Backwards - To the front</p>
8122 0020 011?	[]	Wing Back: Integrated multi-adjustable back support			Depth 	
	!	[] Z: 3 cm				
	!	[] Z: 5 cm [] Z: 7 cm				
	!	ZA: Height from seat tube to start bend ILSA (std 19 cm)			_____ cm	
	[]	Bend on back (1)	a: Backwards (+) []	a: Forwards (-) []	_____ cm	(1) When choosing bend on back, fill in a, b and c. 
	!	b: Length of upper, bended part of the back tubes			_____ cm	
	!	c: Distance from seat tube to bend			_____ cm	
		Shape of backrest tube	Standard []	Rounded []		
	!	BD: Backrest tube (BRT) depth (std. 12 cm)			_____ cm	
	!	TH: Back rest tube distance from top of backrest tubes (std. 12 cm)			_____ cm	

Technical modifications and printing errors reserved

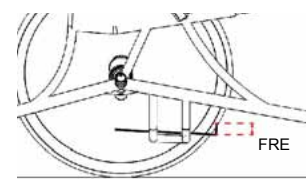
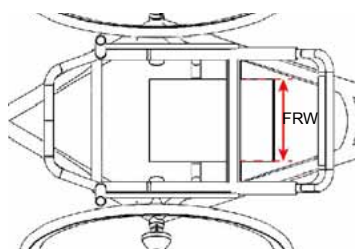
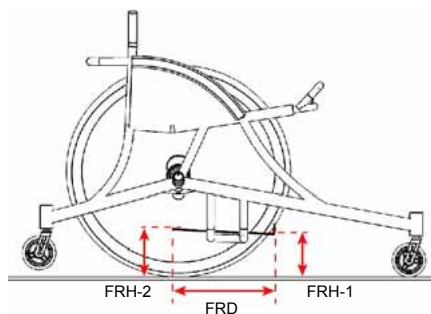
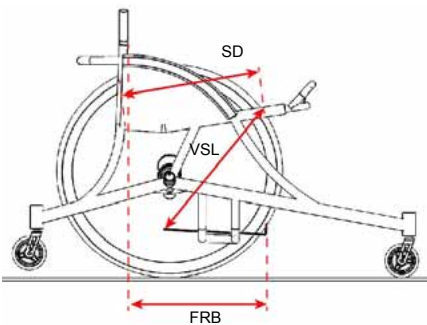
© Wolturnus AIS OF Paddle Tennis wheelchair EN-DA 2016 v1.0

! Footrest (mandatory)			
6145 00?? 0001	[]	VSL: Front of seat upholstery to rear edge of footrest Max VSL std. 45 cm	Max VSL _____ cm
If both VSL and FRH is filled out, VSL will be leading.	[]	FRH: Height of footrest (Alternative to VSL)	Front FRH-1: <i>Foran</i> _____ cm
	[]		Rear FRH-2: <i>Bag</i> _____ cm



Drawing below 7

8299 9901 0005	[]	Footplate screwed on footrest w/rivet nuts (std.)	
8892 0001 0050	[]	Distance fittings w. screws for shortening VSL, 3 sizes incl: 1, 2 and 3 cm.	
8299 9903 0050	[]	Footrest fixated by welding	
8350 9921 0001	[]	<i>Rubber plated footplate</i>	

	!	FRA: Angle of foot rest in cm topside back to front (std. 1 cm)	_____ cm	Drawing below
Must be filled in!	!	FRB: Distand back tube to front edge of footrest	_____ cm	Drawing below
8299 ???? 0001	!	FRD: Depth of footrest, back to front outside (std. 28 cm)	_____ cm	Drawing below
	!	FRW: Width of footrest (plate) (std. 23 cm)	_____ cm	
	[]	FRE: Foot plate, height of bended edge of the front (std. 3 cm)	_____ cm	Drawing below
	[]	FRE: Foot tray, height of edge on front and sides (std. 3 cm)	_____ cm	



! Upholstery (mandatory)							
7100 ???? 1009	[]	Extra wide back upholstery for deeper back	Choose between +1/+2/+3cm	_____ cm			
Important!		Seat upholstery depth (SD) is adjustable. SD can be made up to 10 cm longer than shortest possible position (SD-min).				Drawings page 10	
7200 ???? 1009	[!]	SD: The seat length to be delivered (std. between 39 and 44 cm)			_____ cm		
7250 ???? 1009	[]	Hard seat made of Dibond, fastened with velcro, length adjustable +/-3 cm				Replace upholst.	
7100 9999 001?	[]	Leather back upholstery (detachable part)	Black []	Red []	White []	Blue []	Choose color
7100 9999 000?	[]	Leather on upper corners of back upholstery (standard black)	Black []	Red []	White []	Blue []	Choose color
7600 0001 00??	[]	Frame protectors	[] Front tubes		[] Backrest tube (std)		
7500 ???? ?009	[]	Seat cushion	Height (std. 5 cm)	_____ mm	Width x depth BxD: _____x_____ cm		
			[] Hard	[] Medium			

Sideguards and armrests							
8812 2402 0009	[]	Welded-on aluminium sideguards (std.)				 Alu sideguard welded on	
8812 2402 0008	[]	Welded-on aluminium sideguards with 1,5 cm rounding at seat surface (Gives more room for the hips)					
8812 2401 1009	[]	Carbon sideguards, fixed with screws				 Alu sideguard fixed with screws	
8812 2420 1010	[]	Velcro straps for aluminium tube top with rings					
8812 2403 1009	[]	Aluminium sideguards 2 mm, fixed with screws					
At std. option these are defined in advance.	!	GH: Height from tires to upper edge of sideguards			_____ cm		
	!	GL: Length from back tubes to front of sideguards			_____ cm		
7670 0000 00??	[]	Thermal protection for sideguards (standard option)	[] Left	[] 3 mm (std.)	[] 10 mm	[] 20 mm	

Anti-tipper (standard)			
6911 0000 0001	<input type="checkbox"/>	Centermounted anti-tipper welded on - (Single wheel)	Drawings page 11
6911 0000 0002	<input type="checkbox"/>	Pair of anti-tippers welded on - (Two wheels)	

Other accessories				[] NO	
<input type="checkbox"/>	Extra wheel(s) as ordered below	<input type="checkbox"/> 1 Pair	<input type="checkbox"/> 1 pcs.	Standard option	

Front and antitipper wheels (Castors)				[] NO		
			64 mm (2,5")	76 mm (3")	80 mm (3")	
8600 1020 ?????	Front- and antitipper wheels, Skater	<input type="checkbox"/>	<input type="checkbox"/>	<input type="checkbox"/>	<input type="checkbox"/>	

Rear wheels				[] NO			
				24"	25"	26"	28"
8513 2?20 1209	Crossed 36 spokes wheels (sporthub)	<input type="checkbox"/>	<input type="checkbox"/>	<input type="checkbox"/>	<input type="checkbox"/>	<input type="checkbox"/>	<input type="checkbox"/>
8536 ??10 1009	Spinergy wheels 24 black spokes SL	<input type="checkbox"/>	<input type="checkbox"/>	<input type="checkbox"/>	<input type="checkbox"/>	<input type="checkbox"/>	<input type="checkbox"/>
8536 ??18 1009	Spinergy wheels 18 black spokes SLX	<input type="checkbox"/>	<input type="checkbox"/>	<input type="checkbox"/>	<input type="checkbox"/>	-	
8536 ??24 1209	Spinergy wheels 24 black spokes SLX	<input type="checkbox"/>	<input type="checkbox"/>	<input type="checkbox"/>	<input type="checkbox"/>	<input type="checkbox"/>	<input type="checkbox"/>
8537 282? 3601	Wrex, crossed spokes	<input type="checkbox"/>	<input type="checkbox"/>	<input type="checkbox"/>	<input type="checkbox"/>	<input type="checkbox"/>	<input type="checkbox"/>

Pushrims				[] NO			
Distance pieces	<input type="checkbox"/> Long (4,3 cm)	<input type="checkbox"/> Short (Std) (3,3 cm)	<input type="checkbox"/> Super short	PT: _____ cm (see below)			
				24"	25"	26"	28"
8551 2?10 2009	Alu pushrims			<input type="checkbox"/>	<input type="checkbox"/>	<input type="checkbox"/>	<input type="checkbox"/>
8551 2810 2010	Alu pushrims Ø 19 with 12 tabs			-	-	-	<input type="checkbox"/>
8555 2?00 0009	Titanium pushrims Ø 19			<input type="checkbox"/>	<input type="checkbox"/>	<input type="checkbox"/>	<input type="checkbox"/>
8555 2800 0010	Titanium pushrims Ø 19 with 12 tabs			-	-	-	<input type="checkbox"/>
8554 ???? 0009	High friction pushrims			<input type="checkbox"/>	<input type="checkbox"/>	<input type="checkbox"/>	<input type="checkbox"/>
8550 2?10 3009	Stainless seel pushrims			<input type="checkbox"/>	<input type="checkbox"/>	<input type="checkbox"/>	<input type="checkbox"/>

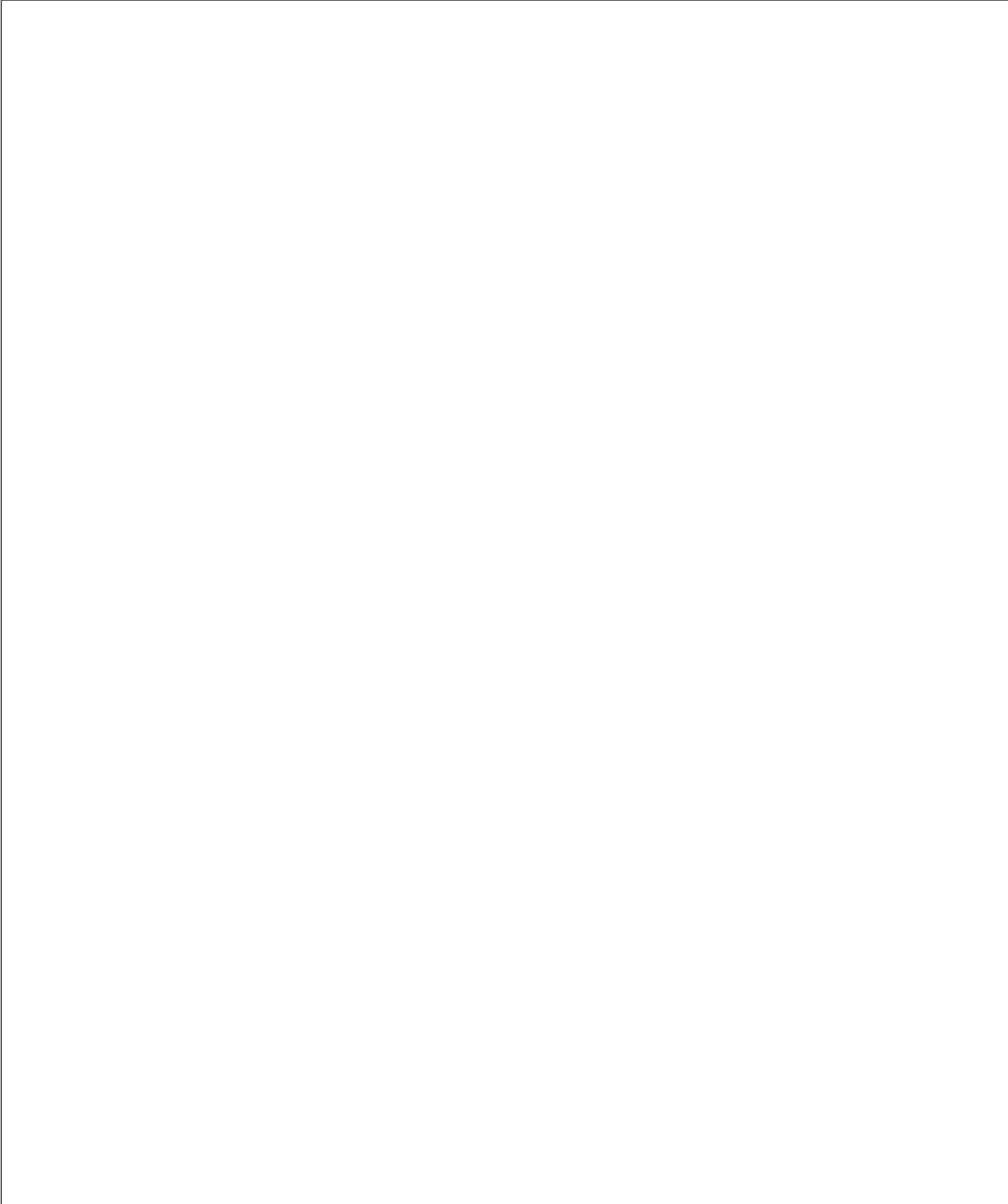
Spoke guards				[] NO			
				24"	25"	26"	28"
8571 ??10 2009	TRANSPARENT, Sport			<input type="checkbox"/>	<input type="checkbox"/>	<input type="checkbox"/>	<input type="checkbox"/>

Tyres				[] NO			
____ Number of pcs (if extra is wanted)			24"	25"	26"	28"	
9662 ??01 00??	SpeedAir tyres 10 bar 20 mm (std.)			<input type="checkbox"/>	<input type="checkbox"/>	<input type="checkbox"/>	<input type="checkbox"/>
9662 2501 0030	Tufo MS3 25x1 beige-beige			-	<input type="checkbox"/>	<input type="checkbox"/>	<input type="checkbox"/>

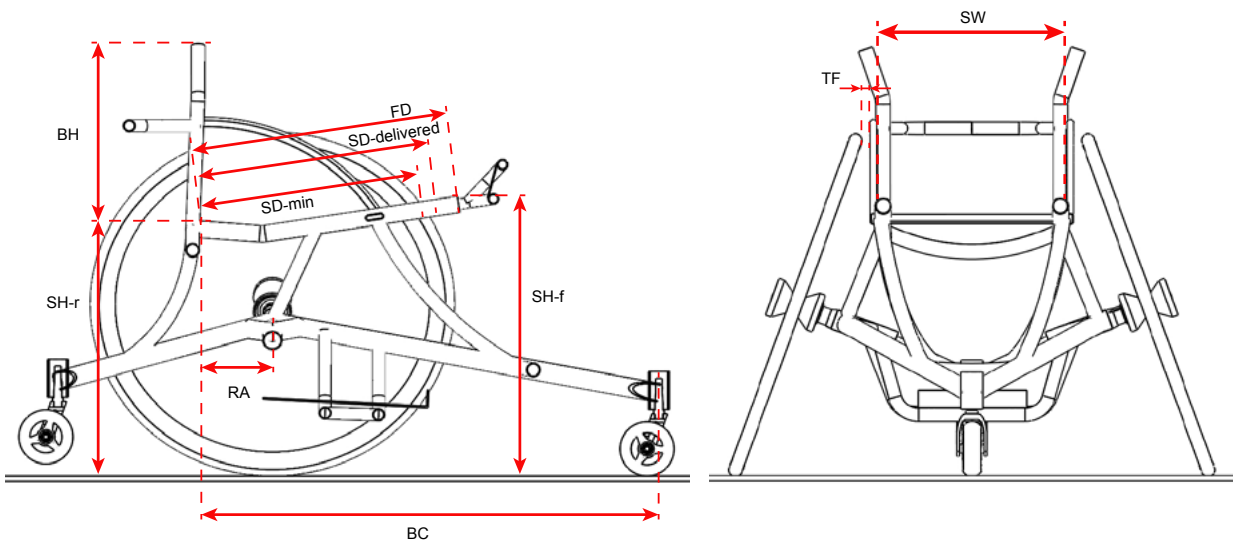
Custom made

Description

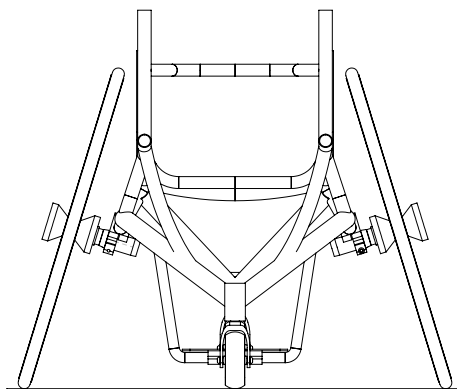
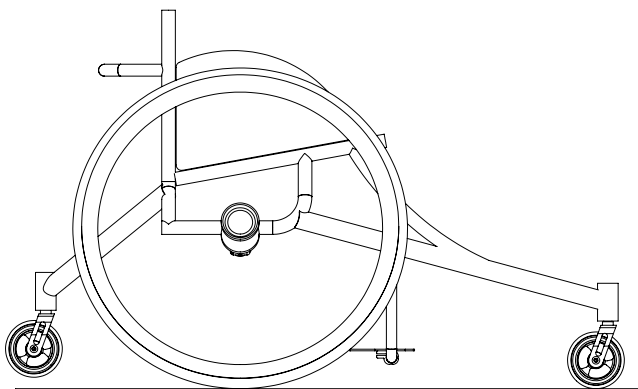
Drawing



Frame data



1 front wheel - 1 antitipper



2 front wheel - 2 antitipper

