

An electric HANDBIKE for every need

At **Batec Mobility** we have a handbike for every need:

- 1 Discover the full range
- 2 Compare our models
- 3 Choose the one that suits you best!



Kit your **Batec** out with the most **original and practical accessories** for your daily life.



The **quadriplegic** version includes a **handlebar without levers** for smooth movements when braking and accelerating.



The **hemiplegic** version has **all the controls on one side** and Monolever brakes.



Batec is compatible with **95% of wheelchairs** on the market.

The ultimate mobility tool:

Batec handbikes are a comprehensive solution to your mobility problems:

- ✓ Go from reduced to **augmented mobility**; from needing help to being **independent** and **proactive**.
- ✓ Get a **2 in 1**, without giving up your manual wheelchair.
- ✓ **Overcome obstacles** and **drive over bumpy terrains** without any problems.
- ✓ Attach our handbikes **in just seconds** and **with no need for transfers**.
- ✓ Also available for **quadriplegics** and **hemiplegics**.



49 Bespoke Inc.
51 Caldari Road, Units 6-7B
Concord, Ontario L4K 4G3
T: +1-416-661-4499
F: +1-416-661-8903
49@49bespoke.com
www.49bespoke.com

BATEC MOBILITY S.L.
Illa de Buda, 2
08192 Sant Quirze del Vallès
(Barcelona) - SPAIN
+34 93 544 2003
info@batec-mobility.com

COMPARE and CHOOSE your electric handbike



BATEC MINI 2



Maximum speed	20 Km/h
Autonomy	28 km * with a 280 Wh battery 52 km * with a 522 Wh battery
Motor	350 RPM high-torque brushless motor Nominal power: 350 W Peak power: 600 W Reverse gear
Battery and charger	2 options: 36V - 280 Wh or 36V - 522Wh 4A Charger
Frame	Aluminium 7005 T6/ Aluminium 6061 T6 Black 1.1/8 headset Folding stem bar Removable right dropout -
Handlebar	Folding handlebar in matte black aluminium Available for quadriplegics and hemiplegics
Brakes	Avid BB5 mechanical brakes Brake levers with parking brake Avid G2 140-mm rotor disc
Wheel	12" x 2.40" ultra-grip tyre 12" cast aluminium rim
Equipment	100-lumen front light with position light Dual LED tail lights on the stand frame All-in-one LCD screen with cyclo computer and battery gauge USB charging port Horn BATEC ACOPLA support Transport handle special for BATEC MINI 2 -
Weight	12,9 kg (without battery)

BATEC MINI



Maximum speed	20 Km/h
Autonomy	22 km * with a 280 Wh battery 40 km * with a 522 Wh battery
Motor	250 RPM high-torque brushless motor Nominal power: 900 W Peak power: 1050 W Reverse gear
Battery and charger	2 options: 36 V - 280 Wh or 36 V - 522 Wh 4A Charger
Frame	7005 T6 Aluminium Black 1.1/8 headset Removable right dropout -
Handlebar	Matte black aluminium handlebar Available for quadriplegics and hemiplegics
Brakes	Avid BB5 mechanical brakes Brake levers with parking brake Avid G2 180-mm rotor disc
Wheel	16" x 2.40" ultra-grip tyre 16" black aluminium double-wall rim
Equipment	700-lumen front light with position light Dual LED tail lights on the stand frame All-in-one LCD screen with cyclo computer and battery gauge USB charging port Horn BATEC ACOPLA support - -
Weight	14,7 Kg (without battery)

BATEC ELÉCTRICO 2



Maximum speed	25 Km/h
Autonomy	22 km * with a 280 Wh battery 40 km * with a 522 Wh battery
Motor	250 RPM high-torque brushless motor Nominal power: 900 W Peak power: 1050 W Reverse gear
Battery and charger	2 options: 36 V - 280 Wh or 36 V - 522 Wh 4A Charger
Frame	7005 T6 Aluminium Black 1.1/8 headset Removable right dropout -
Handlebar	Matte black aluminium handlebar Available for quadriplegics and hemiplegics
Brakes	Avid BB5 mechanical brakes Brake levers with parking brake Avid G2 180-mm rotor disc
Wheel	18" x 2.40" exclusive ultra-grip tyre 18" black aluminium double-wall rim
Equipment	700-lumen front light with position light Dual LED tail lights on the stand frame All-in-one LCD screen with cyclo computer and battery gauge USB charging port Horn BATEC ACOPLA support BATEC ASA Removable QR weights
Weight	15,9 Kg (without battery)

BATEC RAPID 2



Maximum speed	30 Km/h
Autonomy	22 km * with a 280 Wh battery 50 km * with a 678 Wh battery
Motor	300 RPM high-torque brushless motor Nominal power: 1200 W Peak power: 1300 W Reverse gear
Battery and charger	2 options: 36/48 V - 280 Wh or 48 V - 678 Wh 3A Charger
Frame	7005 T6 Aluminium 1.1/8 FSA Orbit Mx Black steering Removable right dropout -
Handlebar	Matte black aluminium handlebar Available for quadriplegics and hemiplegics
Brakes	Avid BB7 mechanical brakes Brake levers with parking brake Gaffer Wave 180 mm rotor disc
Wheel	18" x 2.40" exclusive ultra-grip tyre 18" black aluminium double-wall rim
Equipment	700-lumen front light with position light Dual LED tail lights on the stand frame All-in-one LCD screen with cyclo computer and battery gauge USB charging port Horn BATEC ACOPLA support BATEC ASA Removable QR weights
Weight	15,9 Kg (without battery)

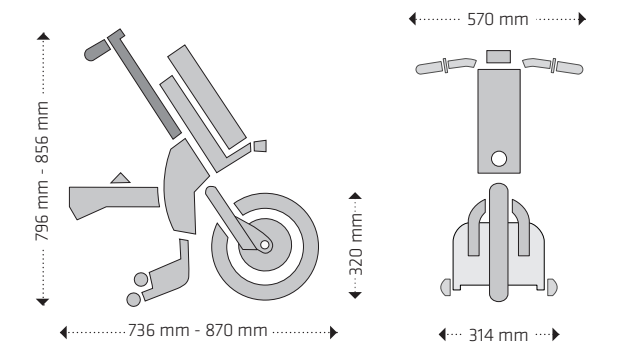
BATEC SCRAMBLER



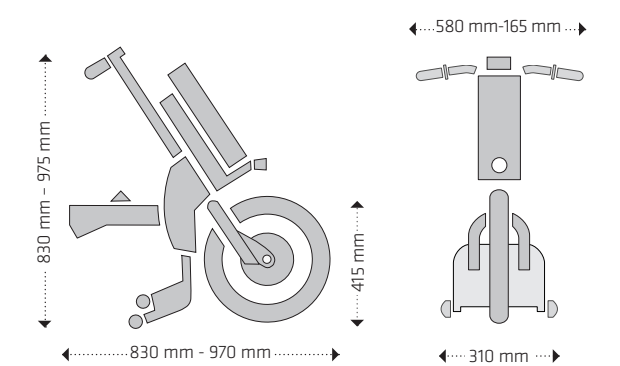
Maximum speed	30 Km/h
Autonomy	22 km * with a 280 Wh battery 50 km * with a 678 Wh battery
Motor	300 RPM high-torque brushless motor Nominal power: 1200 W Peak power: 1300 W Reverse gear
Battery and charger	2 options: 36/48 V - 280 Wh or 48 V - 678 Wh 3A Charger
Frame	7005 T6 Aluminium 1.1/8 FSA Orbit Mx Black steering Removable right dropout Stand frame with suspension
Handlebar	Matte black aluminium handlebar Available for quadriplegics and hemiplegics
Brakes	Avid BB7 mechanical brakes Brake levers with parking brake Avid G2 203-mm rotor disc
Wheel	19" x 2.75" ultra-grip tyre 19" black aluminium double-wall rim
Equipment	1400-lumen double front light with position light Dual LED tail lights on the stand frame All-in-one LCD screen with cyclo computer and battery gauge USB charging port Horn BATEC ACOPLA support BATEC ASA Removable QR weights
Weight	16,7 Kg (without battery)

MEASURES

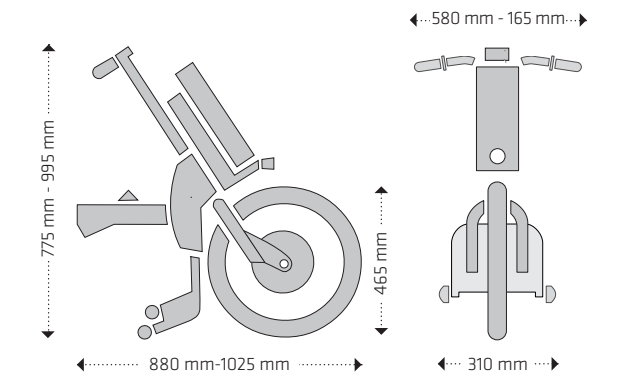
MINI 2



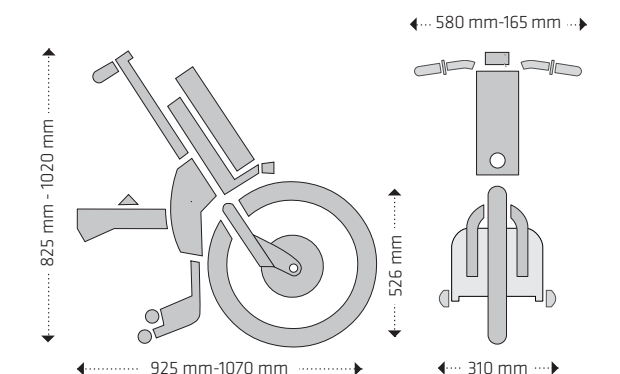
MINI



ELECTRIC 2 / RAPID 2



SCRAMBLER



* Autonomy calculated under the following conditions: 75-kg user, ultra-light wheelchair, flat terrain, no wind and steady speed of 15 km/h. May vary ±20% depending on the battery. Number/version: MM-006/8.0