

Invacare® Top End® Pro™ Tennis Wheelchair



PROVIDER / CUSTOMER INFORMATION:			
Provider Information:		End User Information:	
Date:	Name:	Height:	
IVC Acct #:	Ship to Address:	Weight (lbs.):	
Contact:	Address Line 2:	Leg Length (in.):	
Phone #:	City:	Hip Width (in.):	
Fax/Email:	State:	Zip:	Phone #:
<input type="radio"/> Ship to Provider	<input type="radio"/> Ship to End User		Email:
ORDER REQUEST TYPE:			
<input type="radio"/> Quote	<input type="radio"/> Order	PO #	<input type="text"/>

BASE MODEL:		
<input checked="" type="radio"/> 10001	Top End Pro Tennis Wheelchair <i>Note: Chair ordered without wheels, tires, axles or handrims starts at \$3,038</i>	\$3,208

Assembly: <i>(see definitions)</i>		
<input checked="" type="radio"/> 10048	Assembled	\$0
Shipping:		
Shipping Fee <i>(Continental US Only - See definitions)</i>		\$150

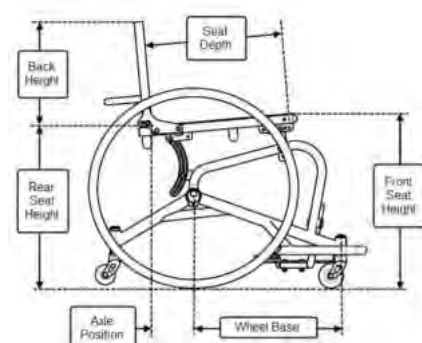
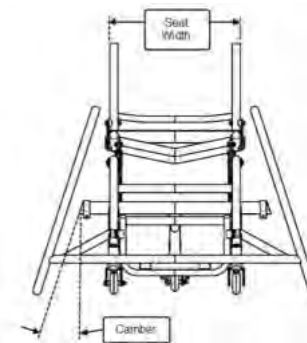
SIZING: <i>(see exclusions and diagrams below)</i>		
SEAT WIDTH:		
<input type="radio"/> 15005	10" Seat Width	\$0
<input type="radio"/> 15007	11" Seat Width	\$0
<input type="radio"/> 15009	12" Seat Width	\$0
<input type="radio"/> 15011	13" Seat Width	\$0
<input type="radio"/> 15013	14" Seat Width	\$0
<input type="radio"/> 15015	15" Seat Width	\$0
<input type="radio"/> 15017	16" Seat Width	\$0
<input type="radio"/> 15019	17" Seat Width	\$0
<input type="radio"/> 15021	18" Seat Width	\$0
<input type="radio"/> 15023	19" Seat Width	\$0
<input type="radio"/> 15025	20" Seat Width	\$0
SEAT DEPTH:		
<input type="radio"/> 15034	10" Seat Depth	\$0
<input type="radio"/> 15036	11" Seat Depth	\$0
<input type="radio"/> 15038	12" Seat Depth	\$0
<input type="radio"/> 15040	13" Seat Depth	\$0
<input type="radio"/> 15042	14" Seat Depth	\$0
<input type="radio"/> 15044	15" Seat Depth	\$0
<input type="radio"/> 15046	16" Seat Depth	\$0
<input type="radio"/> 15048	17" Seat Depth	\$0
<input type="radio"/> 15050	18" Seat Depth	\$0
BACK HEIGHT:		
<input type="radio"/> 15126	Adjustable 9" to 11"	\$0
<input type="radio"/> 15127	Adjustable 10" to 14"	\$0
<input type="radio"/> 15128	Adjustable 14" to 18"	\$0
SEAT HEIGHT:		
<input type="radio"/> 15099	Adjustable Front: 19" to 21" <i>(Tall)</i> Adjustable Rear: 15" to 21"	\$0
<input type="radio"/> 15100	Adjustable Front: 17" to 19" <i>(Short)</i> Adjustable Rear: 13" to 17"	\$0



WHEELBASE: <i>(Front to Rear Axle) (see Diagram below)</i>		
<input type="radio"/> 75066	15" Wheelbase	\$0
<input type="radio"/> 75068	17" Wheelbase	\$0
<input type="radio"/> 75070	19" Wheelbase	\$0

WHEELBASE GUIDE:			
Seat Depth:	10" - 14"	15" - 16"	17" - 18"
Recommended Wheelbase:	15"	17"	19"

CAMBER ANGLE: <i>(see Diagram below)</i>		
<input type="radio"/> 45008	15 Degree Camber	\$0
<input type="radio"/> 45009	18 Degree Camber	\$0
<input type="radio"/> 45010	20 Degree Camber	\$0



Invacare® Top End® Pro™ Tennis Wheelchair



REMOVABLE SEAT EXTENSION HANDLE:		
<input type="radio"/>	20040 Right Side Only	\$46
<input type="radio"/>	20041 Left Side Only	\$46
<input type="radio"/>	20042 Both Left and Right Side	\$90

BACK TYPE:		
<input checked="" type="radio"/>	15159 Non-Fold-Down, Angle Adjustable Back	\$0

CENTER OF GRAVITY:		
<input checked="" type="radio"/>	45072 Adjustable 3.5" to 5.5"	\$0

ANTI-TIP:		
<input type="radio"/>	20030 Single, Adjustable Height	\$0
<input type="radio"/>	20032 Telescoping	\$301

FOOTREST:		
<input checked="" type="radio"/>	60001 Platform, Height Adjustable	\$0
<input type="radio"/>	60030 Click Strap, Single Pad	\$90

SIDE GUARDS:		
<input type="radio"/>	20016 Omit Side Guards	\$0
<input type="radio"/>	20004 Fixed, Aluminum, Clamp-on	\$151

UPHOLSTERY:		
MATERIAL & COLOR:		
<input type="radio"/>	30001 Nylon, Black	\$0

SEAT STYLE UPHOLSTERY:		
<input checked="" type="radio"/>	30019 Screw-On Seat Upholstery	\$0

BACK STYLE UPHOLSTERY:		
<input type="radio"/>	30012 Adjustable Tension Back Upholstery	\$0
<input type="radio"/>	30004 Adjustable Tension Back Upholstery with Leather Flaps and Aluminum Dome Plugs <i>(see definitions)</i>	\$90

CUSHIONS:		
<input type="radio"/>	30005 2" Soft Cushion	\$0
<input type="radio"/>	30006 3" Soft Cushion	\$37
<input type="radio"/>	30008 2" Hard Cushion	\$60
<input type="radio"/>	30009 3" Hard Cushion	\$90
<input type="radio"/>	30010 4" Hard Cushion	\$102

WHEEL SETS: <i>(see diagram below)</i>		
WHEEL SIZE:		
<input type="radio"/>	50190 24" (540)	\$0
<input type="radio"/>	50191 25" (559)	\$0
<input type="radio"/>	50192 26" (590)	\$0
WHEEL STYLE:		
High Performance Wheels:		
<input type="radio"/>	50194 Omit Wheels & Axles, Build for HP	-\$100 <i>(credit)</i>
<input type="radio"/>	50196 High Performance	\$0
Spinergy Wheels:		
<input type="radio"/>	50195 Omit Wheels & Axles, Build for Spinergy	-\$100 <i>(credit)</i>
<input type="radio"/>	50197 Spinergy SLX	\$970
<input type="radio"/>	50198 Spinergy XSLX	\$1,030
SPOKE COLOR:		
<input type="radio"/>	50273 Red	\$0
<input type="radio"/>	50274 Yellow	\$0
<input type="radio"/>	50275 Green	\$0
<input type="radio"/>	50276 Blue	\$0
<input type="radio"/>	50277 Pink	\$0
<input type="radio"/>	50278 Purple	\$0
<input type="radio"/>	50279 Orange	\$0
<input type="radio"/>	50280 Black	\$0
<input type="radio"/>	50282 White	\$0
<input type="radio"/>	50283 Metal <i>(High Performance wheels only)</i>	\$0
<input type="radio"/>	50281 Custom <i>(See Page 5)</i>	\$241
HANDRIMS:		
<input type="radio"/>	50307 Omit Handrims	-\$40 <i>(credit)</i>
<input type="radio"/>	50297 6 Tabs, Aluminum, Anodized	\$0
HANDRIM MOUNTING:		
<input type="radio"/>	50308 Standard Mount	\$0
<input type="radio"/>	50309 Close Mount	\$0
<input type="radio"/>	50310 Close Mount with Cut Tabs	\$82
TIRES:		
<input type="radio"/>	50169 Omit Tires	-\$30 <i>(credit)</i>
<input type="radio"/>	50216 Primo Grey	\$0

WHEEL SIZE GUIDE:			
Rear Seat Height:	Short	Short or Tall	Tall
Player Specifications:	Junior's/ Short Arms	Adult/3.0 or Lower	Adult/3.5 or Higher
Recommended Wheel Size:	24"	25"	26"

Invacare® Top End® Pro™ Tennis Wheelchair



ACCESSORIES:		
STANDARD:		
<input checked="" type="radio"/>	25066 Calf Strap	\$0
UPGRADABLE:		
SAFETY:		
<input type="radio"/>	25004 Rear Frame Protector	\$54
POSITIONING:		
<input type="radio"/>	25013 Hook and Loop Strap	\$24
<input type="radio"/>	25001 Click Strap, 8" Small	\$90
<input type="radio"/>	25002 Click Strap, 10" Medium	\$97
<input type="radio"/>	25003 Click Strap, 12" Large	\$109

FRAME COLOR:				
<input type="radio"/>	55018	Black	Wet Black	\$0
<input type="radio"/>	55019	Black	Black Prism	\$0
<input type="radio"/>	55017	Black	Stealth Black	\$0
<input type="radio"/>	55010	Blue	Midnight Blue	\$0
<input type="radio"/>	55011	Blue	Royal Blue	\$0
<input type="radio"/>	55012	Blue	Electric Blueberry	\$0
<input type="radio"/>	55023	Grey	Stealth Grey	\$0
<input type="radio"/>	55053	Green	Agriculture Green	\$0
<input type="radio"/>	55008	Green	Grasshopper Green	\$0
<input type="radio"/>	55054	Green	Neon Green	\$0
<input type="radio"/>	55006	Orange	Sunkissed Orange	\$0
<input type="radio"/>	55005	Orange	Simple Orange	\$0
<input type="radio"/>	55051	Orange	Neon Orange	\$0
<input type="radio"/>	55015	Pink	Bubblegum Pink	\$0
<input type="radio"/>	55057	Pink	Neon Pink	\$0
<input type="radio"/>	55055	Purple	Lilac Purple	\$0
<input type="radio"/>	55001	Red	Simple Red	\$0
<input type="radio"/>	55002	Red	Tangerine Red	\$0
<input type="radio"/>	55003	Red	Raspberry Red	\$0
<input type="radio"/>	55050	Red	Neon Red	\$0
<input type="radio"/>	55020	Silver	Silver Metallic	\$0
<input type="radio"/>	55016	White	White Snow	\$0
<input type="radio"/>	55007	Yellow	Safety Yellow	\$0
<input type="radio"/>	55052	Yellow	Neon Yellow	\$0
<input type="radio"/>	55070	Raw	Buffed Aluminum	\$0

EXCLUSIONS:																																																																																																																									
Wheels, Handrims, & Tires:	Must choose the same size tires and handrims as wheels.																																																																																																																								
Seat Width and Seat Depth:	<table border="1"> <thead> <tr> <th></th> <th>D10</th> <th>D11</th> <th>D12</th> <th>D13</th> <th>D14</th> <th>D15</th> <th>D16</th> <th>D17</th> <th>D18</th> </tr> </thead> <tbody> <tr><td>W10</td><td></td><td></td><td></td><td></td><td></td><td></td><td></td><td></td><td></td></tr> <tr><td>W11</td><td></td><td></td><td></td><td></td><td></td><td></td><td></td><td></td><td></td></tr> <tr><td>W12</td><td></td><td></td><td></td><td></td><td></td><td></td><td></td><td></td><td></td></tr> <tr><td>W13</td><td></td><td></td><td></td><td></td><td></td><td></td><td></td><td></td><td></td></tr> <tr><td>W14</td><td></td><td></td><td></td><td></td><td></td><td></td><td></td><td></td><td></td></tr> <tr><td>W15</td><td></td><td></td><td></td><td></td><td></td><td></td><td></td><td></td><td></td></tr> <tr><td>W16</td><td></td><td></td><td></td><td></td><td></td><td></td><td></td><td></td><td></td></tr> <tr><td>W17</td><td></td><td></td><td></td><td></td><td></td><td></td><td></td><td></td><td></td></tr> <tr><td>W18</td><td></td><td></td><td></td><td></td><td></td><td></td><td></td><td></td><td></td></tr> <tr><td>W19</td><td></td><td></td><td></td><td></td><td></td><td></td><td></td><td></td><td></td></tr> <tr><td>W20</td><td></td><td></td><td></td><td></td><td></td><td></td><td></td><td></td><td></td></tr> </tbody> </table>		D10	D11	D12	D13	D14	D15	D16	D17	D18	W10										W11										W12										W13										W14										W15										W16										W17										W18										W19										W20									
	D10	D11	D12	D13	D14	D15	D16	D17	D18																																																																																																																
W10																																																																																																																									
W11																																																																																																																									
W12																																																																																																																									
W13																																																																																																																									
W14																																																																																																																									
W15																																																																																																																									
W16																																																																																																																									
W17																																																																																																																									
W18																																																																																																																									
W19																																																																																																																									
W20																																																																																																																									

DEFINITIONS:	
Assembly and Shipping:	Arrives factory assembled, rear wheels and some accessories will need to be installed. Shipping rate is \$150 for all shipments in the continental US. Freight quotes for shipments outside the continental US are available upon request.
Leather Flaps with Aluminum Dome Plugs:	When the Leather Upgrade is chosen the flaps (part of the upholstery that goes down over the back posts) will be made of leather. Also, the caps on the backrest post will be aluminum. This is used to help reinforce the back upholstery and help prevent tearing.

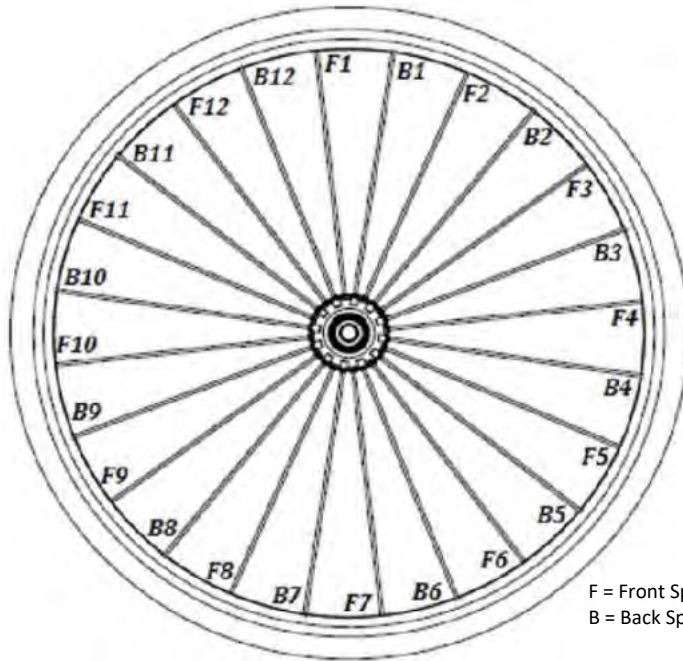
Warranty Info:

Invacare warrants the frames when purchased new and unused to be free from defects in materials and workmanship for a period of three (3) years from the date of purchase from Invacare or a dealer, with a copy of the seller's invoice required for coverage under this warranty. Invacare warrants the upholstered materials (seat and back) and remaining components of this product when purchased new and unused to be free from defects in materials and workmanship for a period of thirteen (13) months from date of purchase from Invacare or a dealer, with a copy of the seller's invoice required for coverage under this warranty

Note: All Special requests are subject to approval, additional charges and additional lead time.

Special Request 1)	
Special Request 2)	
Special Request 3)	
Special Request 4)	
Special Request 5)	

Invacare® Top End® Pro™ Tennis Wheelchair



F = Front Spoke
B = Back Spoke

CUSTOM SPINERGY SLX:	
Wheel Size	<input type="text"/>
Hub Color	<input type="text"/>

CUSTOM SPINERGY SLX:	
Spoke Color:	
F1	<input type="text"/>
B1	<input type="text"/>
F2	<input type="text"/>
B2	<input type="text"/>
F3	<input type="text"/>
B3	<input type="text"/>
F4	<input type="text"/>
B4	<input type="text"/>
F5	<input type="text"/>
B5	<input type="text"/>
F6	<input type="text"/>
B6	<input type="text"/>
F7	<input type="text"/>
B7	<input type="text"/>
F8	<input type="text"/>
B8	<input type="text"/>
F9	<input type="text"/>
B9	<input type="text"/>
F10	<input type="text"/>
B10	<input type="text"/>
F11	<input type="text"/>
B11	<input type="text"/>
F12	<input type="text"/>
B12	<input type="text"/>



F = Front Spoke
B = Back Spoke

CUSTOM SPINERGY XSLX:	
Wheel Size	<input type="text"/>
Hub Color	<input type="text"/>

CUSTOM SPINERGY XSLX:	
Spoke Color:	
F1	<input type="text"/>
B1	<input type="text"/>
F2	<input type="text"/>
B2	<input type="text"/>
F3	<input type="text"/>
B3	<input type="text"/>
F4	<input type="text"/>
B4	<input type="text"/>
F5	<input type="text"/>
B5	<input type="text"/>
F6	<input type="text"/>
B6	<input type="text"/>
F7	<input type="text"/>
B7	<input type="text"/>
F8	<input type="text"/>
B8	<input type="text"/>
F9	<input type="text"/>
B9	<input type="text"/>
F10	<input type="text"/>
B10	<input type="text"/>
F11	<input type="text"/>
B11	<input type="text"/>
F12	<input type="text"/>
B12	<input type="text"/>