

EasyStand[®] Bantam

PT50001-1 Extra Small and PT50002-1 Small

Assembly Manual



Please ensure the Assembly Manual stays with the unit at all times.

Table of Contents

Assembly 1

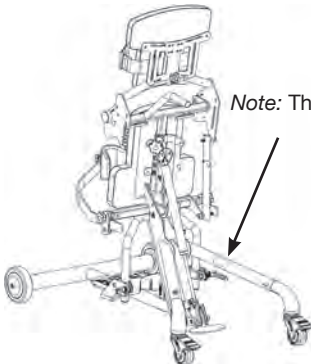
Mobile Assembly10

IMPORTANT **EasyStand Warranty Registration** **FREE GIFT Upon Completion** *(warranty & offer valid in the United States only)*

IMPORTANT! Please complete and return within 30 days. To receive the free gift, please fill out all information. Thank You.

To register online go to easystand.com/warranty

**or Scan the
QR Code**



Note: The serial number is located on the leg bracket.

Date Purchased: _____

Serial #: _____

Contact Altimate Medical for any information required prior to purchase. This owner's manual along with other information is freely available by request or by downloading from easystand.com.

SYMBOL/LABEL LEGEND



CAUTION/WARNING/ATTENTION



TYPE BF APPLIED PART



PINCHPOINT



HUMIDITY

SN

SERIAL NUMBER

CE

CONFORMITÉ EUROPÉENNE

MD

MEDICAL DEVICE



Waste of electrical and electronic equipment must not be disposed as unsorted municipal waste. It must be collected separately, and must be disposed as per local regulations. Contact your authorized representative for information concerning the decommissioning of your equipment.



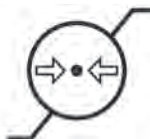
TEMPERATURE



DATE OF MANUFACTURE



SEE INSTRUCTIONS FOR USE



ATMOSPHERIC PRESSURE



MANUFACTURER

Rx only

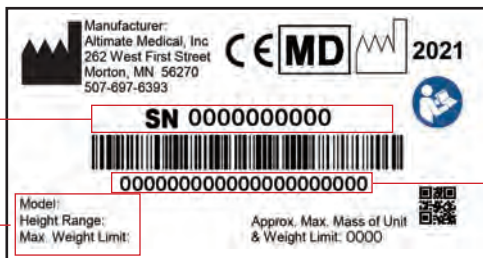
PRESCRIPTION ONLY



POTENTIALLY HOT SURFACE

Accessible surfaces which may exceed 105°F/41°C and could be a hazard to persons with skin damage or not having sensation.

CERTIFICATION LABEL/UNIQUE DEVICE IDENTIFICATION LABEL



Serial Number

SN 0000000000

Item Number
Item Description

Model:
Height Range:
Max. Weight Limit:

Approx. Max. Mass of Unit
& Weight Limit: 0000

Unique Identifier

000000000000000000000000

Assembly

1. Remove all parts from the box. Remove the two bolts and two covered nuts from front frame.



2. Flip up the rear frame to allow easier access to the post. Attach the front and rear frames to one another.



3. Place the two covered nuts into the bottom of the frame and flush with the tube. You may have to tap them in with a rubber hammer to make them flush.



4. Place the two bolts into the top of the frame and screw into the coved nut, making sure they are flush. Tighten securely.



5A. Place the unit back in the normal position. If you ordered the optional Manual Hydraulic Actuator with Removable Handle, remove knob, bolt and spacer from center of handle. Insert spacer as shown.

5B. Place bolt into the spacer as shown.



6. Place knob onto bolt and tighten securely.



7. Remove pin from the pump, place pump handle onto pump shaft as shown and place pin through holes.

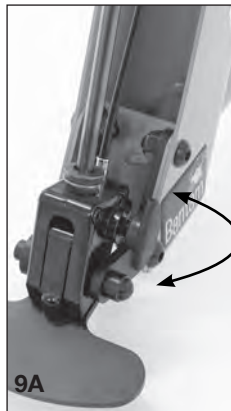


8. Place top of handle on to the handle, insert 2 bolts and tighten securely.



9A. If the Gas Spring Lockout was ordered, unlock the gas spring by pulling the plunger.

9B. If the Gas Spring Lockout was not ordered, remove the bolt from the lower part of the cylinder on the mast as shown, discard bolt.



9. Use the optional pump handle or step on the gas spring assist pedal to raise the seat about 3/4 the way up as shown. Line up the following arm with the back angle tube.



10. Depress the spring button to allow the following arm to slide into place. Match the following arm position color with the corresponding seat depth color. Tighten the knob securely (for information on seat adjustments see the Instructions for Use Manual).



11. Loosen the ratchet handles on the foot plates and swivel into place (for information on foot plate adjustments see the Instructions for Use Manual).



12A. Insert each knee bracket into the tubes onto the unit, with the clamp down.

12B. Depress the spring button to allow the bracket to slide into place, advance until the spring button locks into place.

For the Swing-Away Knee Pads, insert bracket into place and tighten knobs securely.



13. Insert each knee pad bracket into the slots on the knee bracket. Tighten knobs securely.



14. Remove knob from the knee pad, leaving the plastic and rubber washer in place on the knee pad, place the knee pad and washers onto the knee pad bracket. Place knob onto bolt as shown. Repeat steps for the opposite side (for information on knee pad adjustments see the Instructions for Use Manual).



15. If you ordered the Supine option, remove the controller from the packaging. Remove the two bolts on the bottom of the controller, leaving nuts in place.



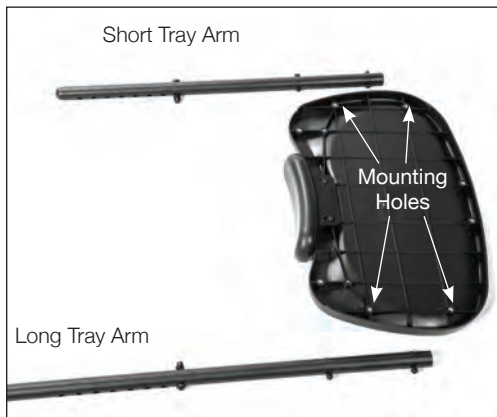
16. Place controller onto the bracket on the side of the unit. The bracket will slide into the slot on the bottom of the controller.



17. Making sure the nuts are in the back on the controller, line up holes and insert both bolts. Tighten securely.



18. If you ordered the 11”x19” Black molded tray, place tray on the floor upside down as shown. The longer tray arm will go on the right side, the short arm on the left side.



19A. Remove the four nuts from the mounting bolts on the arms and discard, do not remove the acorn nut and bolt.

19B. With the acorn nut facing up, place the longer arm on the right side of the tray, line up the two mounting holes. Insert bolt, and tighten snug.



20A. Place the second bolt into the hole.

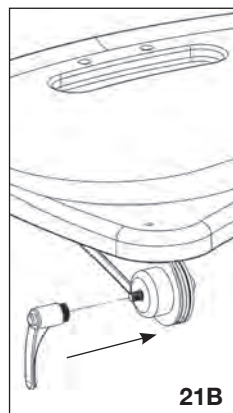
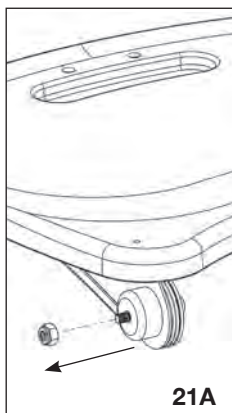
20B. Using an allen wrench tighten both bolts securely.

With the acorn nut facing up, place the shorter arm on the left side of the tray and repeat steps 18-19.



21A. For the tray, remove the nut from the bolt on the tray arm and discard the nut. Make sure all other hardware stays on the bolt.


21B. Place the ratchet handle onto the bolt and tighten securely. Repeat steps for the other side.



22. If you ordered the optional Shadow Tray, loosen the ratchet handles on the side of the tray, flip the arms up so they are lined up with the tray as shown and tighten the ratchet handles. Insert the two tray arms into the tray bracket on the bottom of the tray. One of the arms is longer than the other for easier installation (for information on Shadow Tray adjustments see the Instructions for Use Manual). The bolts on the arms are used as a stop for future reference. Place the quick release pins into the holes of the tray to secure into place.



23. For the Swing-Away Shadow Tray, the knobs are located in the bag your manual came in. Place knobs onto unit as shown, insert tray bracket and tighten securely.

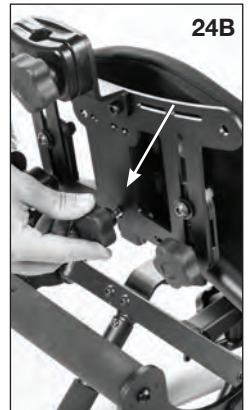
 **Caution:** After placing the tray into position, ensure the ratchet handles on the side of the tray are tightened securely.



24A. If not already on the unit, remove the knob from the center post and place the back onto the unit as shown.



24B. Place the back in the desired position. Insert knob and tighten securely.



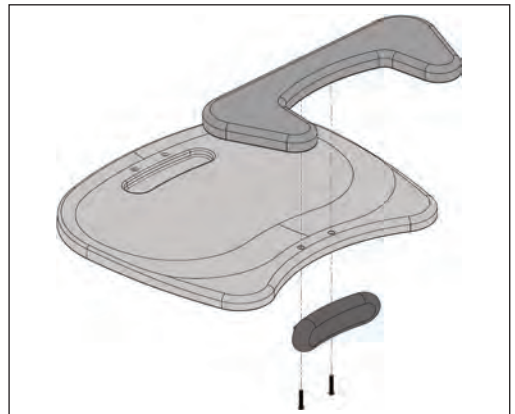
25A. If the optional dual lift control was ordered, insert bolt into push handle as shown and line up dual controller. Screw the bolt into the dual controller, tighten securely.



25B. If you ordered the optional headrest, insert the head support onto the unit and tighten securely.



26A. If you ordered the optional Elbow Pad Cutout, remove Chest Pad from tray. Disregard bolts, replace bolts with bolts in the bag with the Elbow Pad Cutout. Place Elbow Pad Cutout onto the tray. Line up Chest Pad bracket with holes, insert bolts into Tray and Elbow Pad Cutout. Tighten securely.



Mobile Option Assembly

Note: If this is an option added after the initial purchase, you must remove the existing front assembly before proceeding.

27. The Mobile option consists of two drive wheel assemblies, a “T” style front weldment, barrel nuts and bolts. You will need a 5mm allen wrench and a rubber hammer for assembly.



28. Set the Bantam on its back and attach the “T” weldment to the frame. Note that the front curves upward.



29. Line up holes and place the covered nuts on the bottom of the frame. You may have to tap them with a rubber hammer to make them flush. Tighten bolts securely.



30. Attach the interchangeable right and left drive wheel assemblies to the front frame.



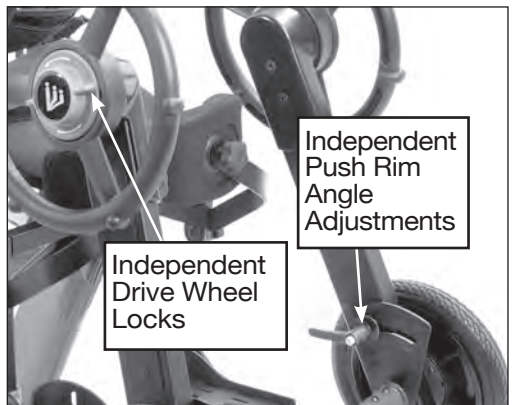
31. Line up the holes and tap in the covered nuts and tighten bolts securely. Making sure the covered nuts are flush with the base. Position the Bantam upright and re-tighten the frame bolts.



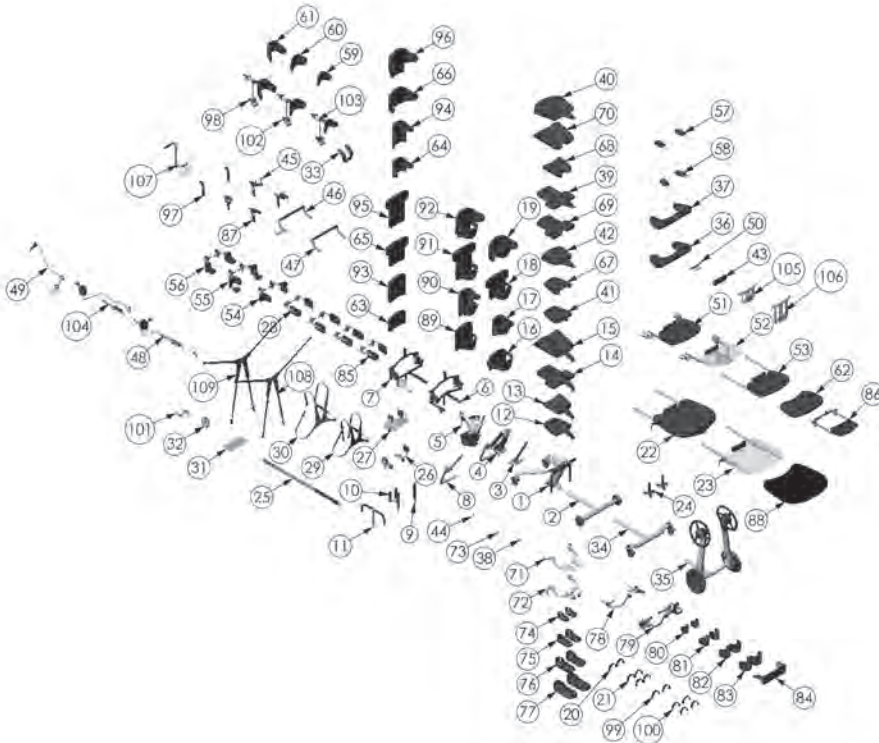
Mobile Adjustment & Usage

32. To lock or unlock the drive wheels, turn the drive wheel lock one quarter turn.

Use the push rim adjustment to position the push rims forward or aft, for transferring or self-propulsion. Tighten to lock in position.



Options & Parts Detail



ITEM NO.	PART NO.	NAME	ITEM NO.	PART NO.	NAME
1	150000	ASSEMBLY FRAME PEDIATRIC	62	130084	SLIP COVER SEAT STANDARD SM
2	150001	ASSEMBLY UPHOLSTERY PEDIATRIC	70	130095	SLIP COVER SEAT COMFY SMALL
3	150002	ASSEMBLY GAS SPRING PEDIATRIC	71	130096	FOOT PLATE STANDARD
4	150003	ASSEMBLY HYDRAULIC LIFT PEDIATRIC	72	130097	FOOTPLATE MULTI-ADJUST
5	150100	BACK REST ASSEMBLY XS	73	130098	NON SUPINE ASSEMBLY
6	150101	ASSEMBLY KNEE PAD REST SMALL	74	130099	FOOT HOLDERS ASSEMBLY
7	150102	HANDLE TILT REMOVABLE/ADJ	75	130100	FOOT HOLDERS 7.5" X 3.25" W
8	150103	HANDLE STANDARD TOP	76	130101	FOOT HOLDERS 11.75" X 3.5" W
9	150104	ACTUATOR QUAD GUP OPTION	77	130102	NEE STANDARD BANTAM
10	150105	ASSEMBLY SEAT PEDIATRIC	78	130103	SWING-AWAY KNEES BANTAM
11	150106	ASSEMBLY SEAT FORM 101 XS	79	130104	KNEE PAD 3.25"
12	150107	ASSEMBLY SEAT FORM 101 XS	80	130105	KNEE PAD 4.25"
13	150108	ASSEMBLY SEAT FORM 101 XS	81	130106	KNEE PAD 5.25"
14	150109	ASSEMBLY SEAT FORM 101 XS	82	130107	KNEE PAD 6.25"
15	150110	ASSEMBLY SEAT FORM 101 XS	83	130108	KNEE PAD 7.25"
16	150111	ASSEMBLY SEAT FORM 101 XS	84	130109	ASSEMBLY KNEE PAD SOFT MPS
17	150112	ASSEMBLY SEAT FORM 101 XS	85	130110	ASSEMBLY LATERAL GUIDES PED
18	150113	ASSEMBLY SEAT FORM 101 XS	86	130111	MOBILE TABLE BANTAM
19	150114	ASSEMBLY SEAT FORM 101 XS	87	130112	ASSEMBLY SHADOW SUPPORT TRAY PED
20	150115	ASSEMBLY SEAT FORM 101 XS	88	130113	PADDED SLIP COVER LARGE TRAY
21	150116	ASSEMBLY SEAT FORM 101 XS	89	130114	BACK REST HIGH 15"
22	150117	ASSEMBLY SEAT FORM 101 XS	90	130115	ASSEMBLY UPHOLSTERY FORM TO FIT BACK HIGH XS
23	150118	ASSEMBLY SEAT FORM 101 XS	91	130116	ASSEMBLY BACK REST STANDARD HIGH SM
24	150119	ASSEMBLY SEAT FORM 101 XS	92	130117	SLIP COVER BACK HIGH XS
25	150120	ASSEMBLY SEAT FORM 101 XS	93	130118	SLIP COVER BACK HIGH SM
26	150121	ASSEMBLY SEAT FORM 101 XS	94	130119	SLIP COVER BACK COMFORT HIGH SM
27	150122	ASSEMBLY SEAT FORM 101 XS	95	130120	NO TRAY TABLE SUPPORT HIGH
28	150123	ASSEMBLY SEAT FORM 101 XS	96	130121	ASSEMBLY HEAD REST FORM TO FIT
29	150124	ASSEMBLY SEAT FORM 101 XS	97	130122	ASSEMBLY FOOT STRAP SECURE 15"L
30	150125	ASSEMBLY SEAT FORM 101 XS	98	130123	BRACKET CONTROLLER
31	150126	ASSEMBLY SEAT FORM 101 XS	99	130124	ASSEMBLY HEAD REST SM
32	150127	ASSEMBLY SEAT FORM 101 XS	100	130125	ASSEMBLY HEAD REST SM
33	150128	ASSEMBLY SEAT FORM 101 XS	101	130126	SUPINE OPTION W/MECH LOCK BYPASS
34	150129	ASSEMBLY SEAT FORM 101 XS	102	130127	ASSEMBLY BACK REST BRACK CHETION
35	150130	ASSEMBLY SEAT FORM 101 XS	103	130128	ASSEMBLY HANDLE SMART BANTAM
36	150131	ASSEMBLY SEAT FORM 101 XS	104	130129	NON-SUPINE CH X-SHYLE CHEST VEST 7" X 3.5" W
37	150132	ASSEMBLY SEAT FORM 101 XS	105	130130	NON-SUPINE CH X-SHYLE CHEST VEST 9" X 3.5" W
38	150133	ASSEMBLY SEAT FORM 101 XS	106	130131	ASSEMBLY LATERAL GUIDES PED
39	150134	ASSEMBLY SEAT FORM 101 XS	107	130132	ASSEMBLY LATERAL GUIDES PED
40	150135	ASSEMBLY SEAT FORM 101 XS	108	130133	ASSEMBLY LATERAL GUIDES PED
41	150136	ASSEMBLY SEAT FORM 101 XS	109	130134	ASSEMBLY LATERAL GUIDES PED
42	150137	ASSEMBLY SEAT FORM 101 XS	110	130135	ASSEMBLY LATERAL GUIDES PED
43	150138	ASSEMBLY SEAT FORM 101 XS	111	130136	ASSEMBLY LATERAL GUIDES PED
44	150139	ASSEMBLY SEAT FORM 101 XS			
45	150140	ASSEMBLY SEAT FORM 101 XS			
46	150141	ASSEMBLY SEAT FORM 101 XS			
47	150142	ASSEMBLY SEAT FORM 101 XS			
48	150143	ASSEMBLY SEAT FORM 101 XS			
49	150144	ASSEMBLY SEAT FORM 101 XS			
50	150145	ASSEMBLY SEAT FORM 101 XS			
51	150146	ASSEMBLY SEAT FORM 101 XS			
52	150147	ASSEMBLY SEAT FORM 101 XS			
53	150148	ASSEMBLY SEAT FORM 101 XS			
54	150149	ASSEMBLY SEAT FORM 101 XS			
55	150150	ASSEMBLY SEAT FORM 101 XS			
56	150151	ASSEMBLY SEAT FORM 101 XS			
57	150152	ASSEMBLY SEAT FORM 101 XS			
58	150153	ASSEMBLY SEAT FORM 101 XS			
59	150154	ASSEMBLY SEAT FORM 101 XS			
60	150155	ASSEMBLY SEAT FORM 101 XS			
61	150156	ASSEMBLY SEAT FORM 101 XS			
62	150157	ASSEMBLY SEAT FORM 101 XS			
63	150158	ASSEMBLY SEAT FORM 101 XS			
64	150159	ASSEMBLY SEAT FORM 101 XS			
65	150160	ASSEMBLY SEAT FORM 101 XS			
66	150161	ASSEMBLY SEAT FORM 101 XS			
67	150162	ASSEMBLY SEAT FORM 101 XS			
68	150163	ASSEMBLY SEAT FORM 101 XS			
69	150164	ASSEMBLY SEAT FORM 101 XS			
70	150165	ASSEMBLY SEAT FORM 101 XS			
71	150166	ASSEMBLY SEAT FORM 101 XS			
72	150167	ASSEMBLY SEAT FORM 101 XS			
73	150168	ASSEMBLY SEAT FORM 101 XS			
74	150169	ASSEMBLY SEAT FORM 101 XS			
75	150170	ASSEMBLY SEAT FORM 101 XS			
76	150171	ASSEMBLY SEAT FORM 101 XS			
77	150172	ASSEMBLY SEAT FORM 101 XS			
78	150173	ASSEMBLY SEAT FORM 101 XS			
79	150174	ASSEMBLY SEAT FORM 101 XS			
80	150175	ASSEMBLY SEAT FORM 101 XS			
81	150176	ASSEMBLY SEAT FORM 101 XS			
82	150177	ASSEMBLY SEAT FORM 101 XS			
83	150178	ASSEMBLY SEAT FORM 101 XS			
84	150179	ASSEMBLY SEAT FORM 101 XS			
85	150180	ASSEMBLY SEAT FORM 101 XS			
86	150181	ASSEMBLY SEAT FORM 101 XS			
87	150182	ASSEMBLY SEAT FORM 101 XS			
88	150183	ASSEMBLY SEAT FORM 101 XS			
89	150184	ASSEMBLY SEAT FORM 101 XS			
90	150185	ASSEMBLY SEAT FORM 101 XS			
91	150186	ASSEMBLY SEAT FORM 101 XS			
92	150187	ASSEMBLY SEAT FORM 101 XS			
93	150188	ASSEMBLY SEAT FORM 101 XS			
94	150189	ASSEMBLY SEAT FORM 101 XS			
95	150190	ASSEMBLY SEAT FORM 101 XS			
96	150191	ASSEMBLY SEAT FORM 101 XS			
97	150192	ASSEMBLY SEAT FORM 101 XS			
98	150193	ASSEMBLY SEAT FORM 101 XS			
99	150194	ASSEMBLY SEAT FORM 101 XS			
100	150195	ASSEMBLY SEAT FORM 101 XS			
101	150196	ASSEMBLY SEAT FORM 101 XS			
102	150197	ASSEMBLY SEAT FORM 101 XS			
103	150198	ASSEMBLY SEAT FORM 101 XS			
104	150199	ASSEMBLY SEAT FORM 101 XS			
105	150200	ASSEMBLY SEAT FORM 101 XS			
106	150201	ASSEMBLY SEAT FORM 101 XS			

AltimateMedical

262 West 1st St.
Morton, MN 56270 USA
Toll Free: 800.342.8968 or 507.697.6393
Fax Free: 877.342.8968 or 507.697.6900
email: info@easystand.com
easystand.com

Assembly Manual



Medical Product Service GmbH
Borngasse 20
35619 Braunfels
Deutschland



MPS Medical Product Service UK Ltd
Northgate House
Northgate Street
Devizes
Wiltshire England SN10 1JX



MPS Medical Product Service Switzerland, CO/Accumed Sagl
Morbio Inferiore
Viale Serfontana 10
CH-6834 Switzerland



Standing technology should only be used under the guidance of a physician with recommendations for standing program protocol and any medical precautions. Standing programs should be monitored by the attending therapist. AMI maintains a policy of continual product improvement and reserves the right to change features, specifications, and prices without prior notification. Check with AMI for latest info.
FORM MBANEX-SMALL 120723 REV A Copyright © 2023 Altimate Medical, Inc. All rights reserved. Printed in the U.S.A.