

AltimateMedical

Instructions For Use Manual

for the EasyStand and Zing product lines

EasyStand

Zing

Please ensure this manual stays with the unit at all times.

SYMBOL LEGEND



CAUTION/WARNING/ATTENTION



TEMPERATURE



TYPE BF APPLIED PART



DATE OF MANUFACTURE



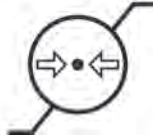
PINCHPOINT



SEE INSTRUCTIONS FOR USE



HUMIDITY



ATMOSPHERIC PRESSURE

SN

SERIAL NUMBER



MANUFACTURER

CE

CONFORMITÉ EUROPÉENNE

Rxonly

PRESCRIPTION ONLY

MD

MEDICAL DEVICE



Waste of electrical and electronic equipment must not be disposed as unsorted municipal waste. It must be collected separately, and must be disposed as per local regulations. Contact your authorized representative for information concerning the decommissioning of your equipment.

CERTIFICATION LABEL/UNIQUE DEVICE IDENTIFICATION LABEL

Manufacturer:
 Altimate Medical, Inc
 262 West First Street
 Morton, MN 56270
 507-697-6393

2021

SN 0000000000

000000000000000000000000

Model:
Height Range:
Max. Weight Limit:

Approx. Max. Mass of Unit
 & Weight Limit: 0000

Serial Number

Unique Identifier

Item Number
Item Description

Date Purchased _____ Serial # _____

Table of Contents

Introduction	1
Safety Precautions	2
Technical Specifications	3
Adjustments and Usage	
Zing Portable Size 1	5
Zing Size 1 and Zing Size 2	8
Bantam Extra Small and Bantam Small	15
Bantam Medium	20
Bantam Supine Controller Usage	23
Evolv Medium, Evolv Large and Evolv XT	25
Glider Medium and Glider Large	30
StrapStand	32
Pow'r Up Lift Usage	33
Fit Guide	
Bantam Extra Small and Bantam Small	39
Bantam Medium	40
Evolv Medium, Evolv Large and Evolv XT	41
Glider Medium and Glider Large	41
StrapStand	42
Zing Size 1 and Zing Size 2	42
Maintenance	43
Re-Use	43
Serious Incidents	43
Troubleshooting	44
Limited Warranty	45

Introduction

Congratulations on your purchase of an Altimate Medical Standing Product. Altimate Medical has designed our products with your needs in mind.

Altimate Medical Standing Product Description

Altimate Medical Standing Products are intended for individuals who are able to transfer independently or with assistance from a caregiver and/or lifting device. They are a useful tool for rehabilitation, home, school and work use. EasyStand standing frames support the user from sitting to the standing position. Zing standing frames support the user from various positions to the standing position. Various options such as support, choice of manual or Pow'r Up Lift (if applicable) may be added to facilitate individual needs.

Indications for Use

Zing

The Zing Portable Size 1 is indicated for most individuals weighing up to 36 lbs. (16kg) and up to 36" (91cm) in height.

The Zing Size 1 is indicated for most individuals weighing up to 70 lbs. (32 kg) and within the height range up to 44" (112 cm).

The Zing Size 2 is indicated for most individuals weighing up to 154 lbs. (70 kg) and within the height range of 40"-60" (102-152cm).

EasyStand

The Bantam Extra Small is indicated for most individuals weighing up to 50 lbs. (23kg) and within the height range of 28"-40" (71-102cm).

The Bantam Small is indicated for most individuals weighing up to 100 lbs. (45kg) and within the height range of 36"-54" (91-137cm).

The Bantam Medium is indicated for most individuals weighing up to 200 lbs. (90 kg) and within the height range of 4'-5'6" (122-168 cm).

The Evolv Medium is indicated for most individuals weighing up to 200 lbs. (90 kg) and within the height range of 4'-5'6" (122-168 cm).

The Evolv Large is indicated for most individuals weighing up to 280 lbs. (127 kg) and within the height range of 5'-6'2" (152-188 cm).

The Evolv XT is indicated for most individuals weighing up to 350 lbs. (159 kg) and within the height range of 6'-10" (183-209 cm).

The Glider Medium is indicated for most individuals weighing up to 200 lbs. (90 kg) and within the height range of 4'-5'6" (122-168 cm).

The Glider Large is indicated for most individuals weighing up to 280 lbs. (127 kg) and within the height range of 5'-6'2" (152-188 cm).

The StrapStand is indicated for most individuals weighing up to 350 lbs. (159 kg) and within the height range of 5'-6'5" (152-195 cm).

Altimate Medical Standing Products may be used by clients with cerebral palsy, spina bifida, muscular dystrophy, spinal cord injury, traumatic brain injury and other physical disabilities and diseases.

Intended Use

Zing Line of Products

The Zing products have a manual or electrically operated flat surface (electric option offered on Zing Size 2 only) that can be adjusted from the prone or supine position to increase tolerance to an upright standing position.

Bantam Line of Products

The EasyStand Bantam line of products has a manual lift that is intended to assist individuals who have difficulty rising from a seated to a standing position. The Bantam line also has a manual or electrically operated flat surface (if unit equipped) that can be adjusted to various positions to increase tolerance to an upright standing position.

Evolv, Glider & Strapstand Products


The EasyStand Evolv, Glider & StrapStand products are intended to assist individuals who have difficulty rising from a seated position to a standing position.

Essential Function and Performance

The device is to serve as a motive and supportive structure to safely and securely hold and transition an end-user from a seated or lying position to positions that may range from supine to standing; with ranges of adjustable supportive surfaces to reasonably and ergonomically accommodate the intended range of users, without unwanted movement in the system.

This manual is an integral part of your standing system and should be read completely and thoroughly by anyone that will be operating the unit. This will ensure Altimate Medical Standing Products are used in the most beneficial manner.

It is necessary to inspect your unit at least weekly to ensure it is in safe operating condition. Adjustments that are listed in this Instructions for Use Manual can be made by the operator by following the instructions for use. After an adjustment is made, inspect the product to ensure all hardware and adjustable components are properly secured per the instructions for use. Replacement of worn parts, major adjustments, or any other important corrections should be handled by an authorized supplier or service center. Only Altimate Medical, Inc., approved replacement parts should be used to ensure safety and performance.

Altimate Medical Standing Products shall be prescribed by a qualified physician or occupational/physical therapist. Do not use without consulting your physician and receiving protocol for a standing program. Failure to consult a qualified physician prior to using the unit could lead to medical problems. Altimate Medical Standing Products must be used with a qualified adult attendant present. Should any problems arise that you cannot solve by reading this manual, please contact your local supplier or call Altimate Medical, Inc., at +1-800-342-8968 or +1-507-697-6393. 

Contraindications

Standing/weight bearing may not be an option for the following reasons:

If the user has severe contractures or range of motion issues


If the user has severe osteoporosis or brittle bone disease

If the user has postural orthostatic hypotension


If the user has dislocated joints


Safety Precautions


- Please read and understand all safety precautions and user instructions prior to use. Call Altimate Medical at +1-800-342-8968 or +1-507-697-6393 with any questions or for additional information.
- Altimate Medical Standing Products should not be used without first consulting a qualified physician. Failure to consult a qualified physician prior to using the equipment could lead to severe medical problems. We recommend a good standing program be established and supervised by a qualified, registered physical therapist.
- Altimate Medical Standing Products should always be used with a qualified adult attendant present. Never leave a child unattended in the equipment.
- Altimate Medical Standing Products should be inspected frequently to ensure that all nuts, bolts and adjustable parts are tightened securely.
- Do not make adjustments to Altimate Medical Standing Products while a user is standing in the equipment. **Exception: If the supine option was ordered for the Zing Portable Size 1 refer to page 7, the Zing Size 1, Zing Size 2 refer to page 14 and Bantam product line refer to page 23. Changes in position must be performed or supervised by a qualified caregiver or medical professional.**
- No user serviceable parts inside. Do not service this device while in use.
- It is necessary to inspect your Altimate Medical Standing Product at least weekly to ensure it is in safe operating condition. Pay particular attention for loose hardware. If your unit is equipped with the optional Pow'r Up option please inspect the electrical cables for any wear and ensure they are attached properly. Replacement of worn parts, major adjustments, or any other important corrections should be handled by an authorized dealer or service center. Only Altimate Medical, Inc. approved replacement parts should be used to ensure safety and performance.
- If your Altimate Medical Standing Product is being used in the home environment, please inspect your unit prior to each use to ensure there is no damage or unexpected wear to the unit that may have been caused unintentionally by pets, pests or children.
- Never reposition the footplates while the user is in the standing position. Consult with your therapist or physician for proper foot placement and angle.
- Never elevate the legs or adjust the backrest to anterior tilt using the following arm adjustment. Only the supine option (Bantam's only) may be used to elevate the legrest with simultaneous recline of the backrest.
- Ensure the necessary support and alignment options are in position prior to placing the user into the standing position.
- The expected service life of Altimate Medical Standing Products is considered 5 years under normal use conditions. Note: This may vary based on frequency of use.
- The patient is an intended operator when used in a home healthcare environment.
- If you need to move the EasyStand Bantam from one room to another, any surface that is part of the main structure (and is convenient) such as the backrest may be used.
- If you need to move the EasyStand Evolv or Glider standing frame from one room to another, any surface that is part of the main structure (and is convenient) such as the backrest or the tray/front column may be used.
- The EasyStand Bantam, EasyStand Evolv, EasyStand Glider, Zing Portable Size 1 and the Zing Size 2 meet the applicable requirements of EN 12182:2012 (test standard). The Zing Size 1 meet the applicable requirements of EN12182:1999 (test standard) for strength, durability and tipping stability.
- Please contact Altimate Medical, Inc., for relevant clinical data, literature, strength and information on durability and test results as applicable.
- It is not recommended to transport the unit with a user in the standing position.
- Extreme movements laterally or front to back may cause the unit to tip.
- It is recommended the equipment be stored at normal room temperature and humidity levels.
- Altimate Medical Standing Products are specifically designed to be used with Altimate Medical accessories and options. Unless otherwise noted, accessories and options from other manufacturers have not been tested by Altimate Medical and are not recommended for use with Altimate Medical Standing Products.
- Product Modifications are not recommended and will void the warranty.
- The EasyStand Evolv, Bantam and Zing Size 2 with the optional Pow'r Up Lift meets the requirements of IEC 60601-1 and 60601-1-2.*
- The wheel lock on the mobile option is to keep the unit in place while transferring or standing stationary and it is not intended to be used as a dynamic brake to stop a rolling mobile unit.


 **WARNING:** Care must be taken when operating this equipment around other equipment to avoid reciprocal interference. Potential electromagnetic or other interference could occur to this or to the other equipment. Try to minimize this interference by not using other equipment in conjunction with this device.*


 **WARNING:** Do not perform any maintenance or servicing while the unit is in use.

 **WARNING:** The main plug of the power supply is used as the primary means of disconnect while charging. Ensure main plug is accessible while this equipment is in charging mode/operation.*

 **WARNING:** Do not wind power supply/charger cables around the neck. Tangled cables can cause strangulation.*


 **WARNING:** Please contact Altimate Medical immediately if you observe any changes in the performance of this device.

 **WARNING:** Keep this equipment away from a heated surface or heat coming out from fireplace, radiant warmer etc.


 **WARNING:** Keep this equipment away from moisture coming from a Nebulizer or steam kettle.


 **WARNING:** This equipment must be kept out of the reach of children (other than patient), pets and pests.

 **Caution:** The EasyStand is constructed of materials that do not support combustion under normal conditions. For the safety of the patient and attending personnel, do not allow clutter or debris to be stored or accumulate on or around the equipment.

 **Caution:** This equipment is designed to accommodate a range of users; therefore the unit has various adjustment slots and holes. Avoid placing fingers or other body parts in any of these areas.

 **Caution:** As with any upholstered equipment, smoking in or around the product or exposing it to a direct source of ignition such as a space heater or fire is not recommended.

 **Caution:** While in use this equipment has various moving parts, familiarize yourself with the unit and avoid placing hands or fingers near any of these areas.

 **Caution:** Advise bystanders to keep clear of the unit while in use.

* Pow'r Up Lift Option Only

Technical Specifications

- If a user does not meet the specifications below and has not been properly fitted by a qualified therapist or physician, Altimate Medical, Inc., does not recommend using our standing products.

Zing Specifications:

Zing Portable Size 1- is designed to accommodate most individuals up to 36" (91 cm) and up to 36 lbs. (16 kg).

Overall dimensions of Zing Portable Size 1 (approximate):

Dimensions: 32"x38.5"x33.5" (815 x 980 x 850 mm)

Weight: 21 lbs (9 kg)

- The maximum mass plus its safe working load is approximately 57 lbs. (25 kg)
 - The maximum width is 38.5" (980 mm)
- The maximum height while unit is in standing position is 45" (1150 mm)
- The maximum length while unit is in supine position is 38" (970 mm)

Zing Size 1- is designed to accommodate most individuals up to 44" (112 cm) and up to 70 lbs. (32 kg)

Overall dimensions of Zing Size 1 (approximate):

- The maximum mass plus its safe working load is approximately 134 lbs. (60 kg)
 - The maximum width is 22" (560 mm)
- The maximum height while unit is in standing position is 52" (1330 mm)
- The maximum length while unit is in supine position is 48" (1240 mm)

Zing Size 2- is designed to accommodate most individuals up to 40"-60" (102-152cm) and up to 154 lbs. (70 kg)

Overall dimensions of Zing Size 2 (approximate):

- The maximum mass plus its safe working load is approximately 299 lbs. (136 kg)
 - The maximum width is 28.75" (730 mm)
- The maximum height while unit is in standing position is 71" (1803 mm)
- The maximum length while unit is in supine position is 72" (1829 mm)

For more detailed specifications visit our website zingstanders.com

EasyStand Specifications:

Bantam (Extra Small) - is designed to accommodate most individuals from 28"-40" (71-102cm) and up to 50 lbs. (23kg)

Bantam (Small) - is designed to accommodate most individuals from 36"-54" (91-137cm) and up to 100 lbs. (45kg)

Overall dimensions of Bantam Extra Small/Small (approximate):

- The maximum mass plus its safe working load is approximately 160 lbs. (73 kg) (**Extra Small**)
- The maximum mass plus its safe working load is approximately 210 lbs. (95 kg) (**Small**)
 - The maximum width is 30" (762 mm)
- The maximum height while unit is in standing position is 65" (165cm)
- The maximum length while unit is in supine position is 64" (162cm)

Bantam Medium - is designed to accommodate most individuals from 4'0"-5'6" (122-168 cm) and up to 200 lbs. (91 kg)

Overall dimensions of Bantam Medium (approximate):

- The maximum mass plus its safe working load is approximately 325 lbs. (147 kg)
 - The maximum width is 24" (39cm)
- The maximum height while unit is in standing position is 39" (99cm)
- The maximum length while unit is in supine position is 48" (122cm)

Evolv Medium - is designed to accommodate most individuals from 4'0"-5'6" (122-168 cm) and up to 200 lbs. (90 kg)

Overall dimensions of Evolv Medium (approximate):

- The maximum mass plus its safe working load is approximately 353 lbs. (160 kg)
 - The maximum width is 31" (810 mm)
- The maximum height while unit is in standing position is 76" (193cm)
- The maximum length while unit is in standing position is 57" (1450 mm)

Evolv Large - is designed to accommodate most individuals from 5'0"-6'2" (152-188 cm) and up to 280 lbs. (127 kg)

Overall dimensions of Evolv Large (approximate):

- The maximum mass plus its safe working load is approximately 433 lbs. (197 kg)
 - The maximum width is 31" (810 mm)
- The maximum height while unit is in standing position is 79" (201cm)
- The maximum length while unit is in standing position is 57" (1450 mm)

Evolv XT - is designed to accommodate most individuals from 6'0"-6'10" (183-209 cm) and up to 350 lbs. (159 kg)

Overall dimensions of Evolv XT (approximate):

- The maximum mass plus its safe working load is approximately 520 lbs. (236 kg)
 - The maximum width is 31" (810 mm)
- The maximum height while unit is in standing position is 83" (211cm)
- The maximum length while unit is in standing position is 57" (1450 mm)

Glider Medium - is designed to accommodate most individuals from 4'0"-5'6" (122-168cm) and up to 200 lbs. (90 kg)

Overall dimensions of Glider Medium (approximate):

- The maximum mass plus its safe working load is approximately 405 lbs. (184 kg)
 - The maximum width is 40" (1040 mm)
- The maximum height while unit is in standing position is 76" (193cm)
- The maximum length while unit is in standing position is 54" (1390 mm)

Glider Large - is designed to accommodate most individuals from 5'0"-6'2" (152-188cm) and up to 280 lbs. (127 kg)

Overall dimensions of Glider Large (approximate):

- The maximum mass plus its safe working load is approximately 485 lbs. (220 kg)
 - The maximum width is 40" (1040 mm)
- The maximum height while unit is in standing position is 79" (201cm)
- The maximum length while unit is in standing position is 54" (1390 mm)

StrapStand - is designed to accommodate most individuals from 5'0"-6'5" (152-195 cm) and up to 350 lbs. (159 kg)

Overall dimensions of StrapStand (approximate):

- The maximum mass plus its safe working load is approximately 495 lbs. (224 kg)
 - The maximum width is 33" (850 mm)
- The maximum height while unit is in standing position is 64" (1630 mm)
- The maximum length while unit is in standing position is 40" (1040 mm)

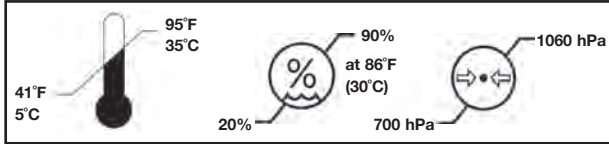
For more detailed specifications visit our website easystand.com

Technical Specifications-(cont.)

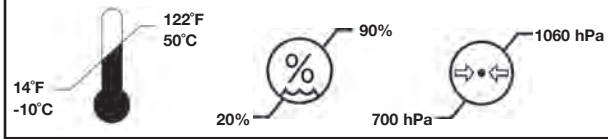
- If the unit was exposed to temperatures of less than 41°F (5°C), the unit must warm to operating temperature before use. If the unit has been in a hot environment or exposed to direct sunlight, ensure that all parts are comfortable and safe to touch before allowing usage by the patient. Plan ahead and allow up to 12 hours for the equipment to acclimate if it has been stored or exposed to extreme temperatures.

Zing Size 1, Zing Size 2, Bantam Extra Small, Bantam Small, Evolv Product Line and Glider Product Line

Operating Conditions

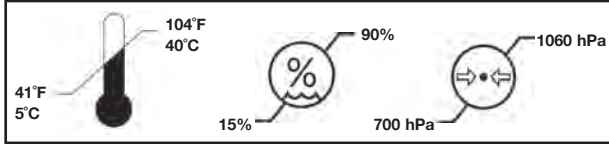


Storage/Transport Conditions

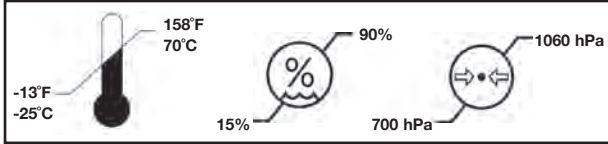


Zing Portable Size 1

Operating Conditions

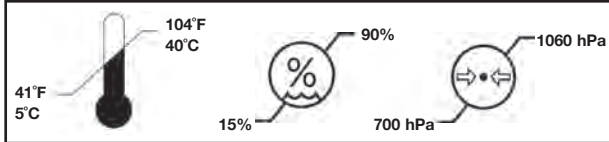


Storage/Transport Conditions

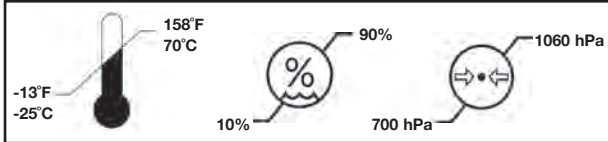


Bantam Medium

Operating Conditions



Storage/Transport Conditions



- The Altimate Medical Standing Products can be used at a maximum altitude of 9,842.52 feet (3,000 meters).
- This equipment produces less than 60 dB noise level while operating.
- The expected service life of an Altimate Medical Standing Product is considered 5 years under normal use conditions. Note: This may vary based on frequency of use. Certain components such as battery or upholstery may need more frequent replacement depending on individual usage.
- If you must transport the Altimate Medical Standing Product in a vehicle, secure the unit so it does not move around. After transport inspect the Altimate Medical Standing Product to ensure hardware is properly tightened and all options are secured.
- Standing equipment is designed for indoor use on level surfaces only. Keep casters locked while in use.
- It is recommended the equipment be stored at normal room temperature and humidity levels.
- No user serviceable parts in the electric actuator system and its components. Battery replacement and instructions thereof are for qualified technicians or service personnel only. Unauthorized service or replacement by inadequately trained personnel could lead to a hazard.
- Biocompatibility and Allergen Statement:** The materials used in the construction of Altimate Medical products are specified to be as inert and non-allergenic as possible, with the greatest emphasis on medical benefit to the widest range of user. Users which have known sensitivities to certain materials may inquire for specific information on specific components. In general, the materials which may contact a user are polyurethane coated fabrics; polyester knit fabrics; ABS, Polypropylene, and Nylon plastics; and polyester based dry-applied paint. Our products are free of Latex and RoHS schedule hazardous substances.
- Hand control, upholstery items and tray, if so equipped are all Type BF applied parts.

Warning: Do not operate the device outside of the environmental conditions provided in the technical specification. Operating the device beyond the specified environmental conditions will lead to a hazard.

Classification

- Type of protection against electric shock: Class II ME Equipment while charging and internally powered.
- Degree of protection against electric shock (Type of applied parts): Type BF applied parts.
- Degree of protection against ingress of water or particulate matter: IP21.
- Mode of operation: Duty Cycle 5% Max, 1min ON/19Min OFF.
- Method(s) of sterilization or disinfection: Not intended to be sterilized or disinfected.

IP21

- Degree of protection of equipment against access to hazardous parts with a test finger (12mm dia. x 80mm length) and degree of protection against the ingress of solid foreign objects of ≥ 12.5 mm diameter.

Battery Information (Pow'r Up Lift Option Only)

Bantam Medium

Make: TiMotion
 Model TBB6
 Sealed Lead Acid Gel
 24 VDC x 5 Ah
 Initial Current (Charge Draw): <1.25A

Zing Size 2, Bantam Extra Small/Small, Evolv Medium/Large/XT and Glider Medium/Large

Make: Linak
 Model: CB8A
 Sealed Lead Acid Gel
 28V, 480mA
 Initial Current (Charge Draw): no data

Adjustment and Usage-Zing Portable-Read *all instructions* thoroughly before beginning any adjustments.

⚠ **CAUTION:** Trays should not be loaded with greater than 10lbs. (4.5kg). Use caution when positioning mast with any object on the tray.

Unfolding

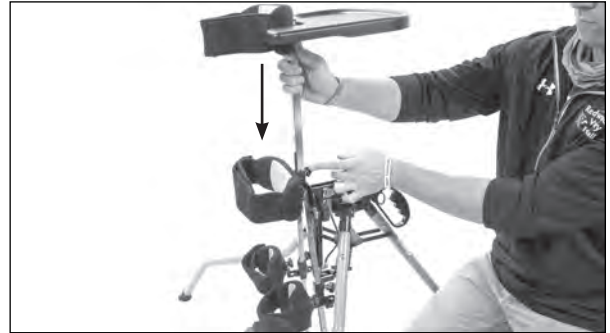
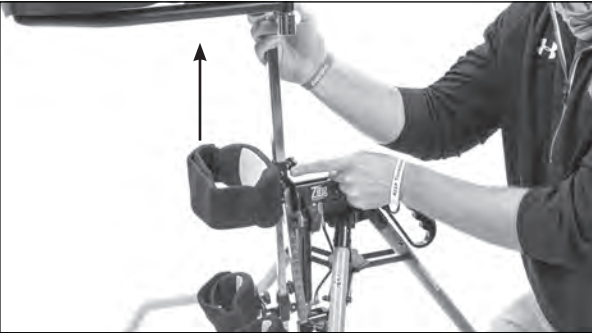
Spread the three legs out and position as shown. Lock the center mechanism by pushing down on it to lock the snap pin into position. The white lock symbol will be visible when unit is locked.

⚠ **Caution:** Beware of pinch point between handle and the rear leg.



Changing from Supine to Prone

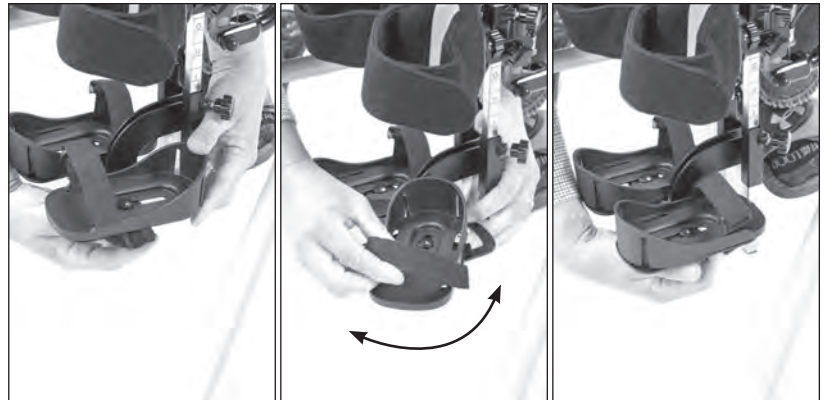
Loosen the knob and depress the spring button on the tube to remove the Supine tray assembly. For use of the Prone tray, depress the spring button, insert Prone tray assembly, put into desired position and tighten knob securely.



Supine Position

Prone Position

Loosen the knobs on the bottom of the foot plate. Rotate 180 degrees as shown. Tighten knob securely. Repeat steps for the other foot plate.



Trays-Supine

Height

To adjust supine tray height, loosen knob on the back of unit and set to desired position. Tighten knob securely.



Depth

To adjust the supine tray depth, loosen the knob under the table, set to desired position. Tighten knob securely.



Swing-Away

To swing the tray away, loosen knob on one side only until you are able to swing tray away. Swing tray away to allow for transfers.

**Trays-Prone****Height**

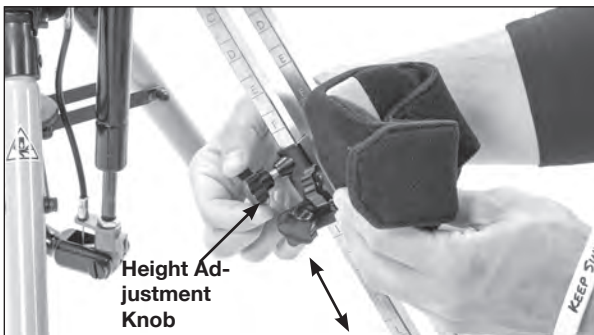
To adjust prone tray height, loosen knob on the back of unit and set to desired position. Tighten knob securely.

**Angle**

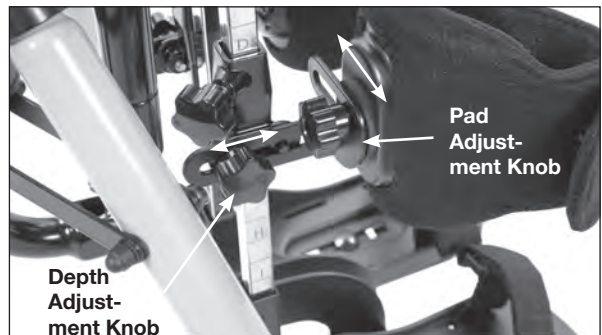
To adjust the prone tray angle, loosen the knob on the side of tray and set to desired position. Tighten knob securely.

**Knee Pads****Height**

To adjust the multi-adjustable knee pad height, loosen the knob. Adjust to desired position. Tighten securely.

**Depth/Angle**

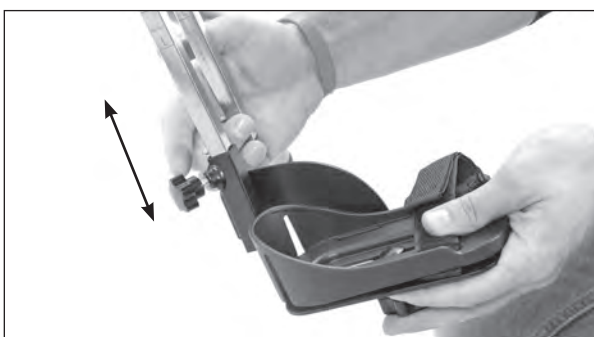
To adjust the multi-adjustable knee pad depth, loosen the knob. Adjust to desired position. Tighten securely. To adjust the multi-adjustable knee pad position, loosen knob and move or rotate to desired position. Tighten securely.



Foot Plates ⚠ **Caution:** Never reposition the foot plates with the child in the standing position.

Height

To adjust the foot plate height, loosen knob and set to desired position. Tighten knob securely.

**Toe-in/Toe-out**

To adjust the Toe-in/Toe-out/Abduction, loosen knobs underneath foot plates, slide foot plates into position. Tighten knobs securely.

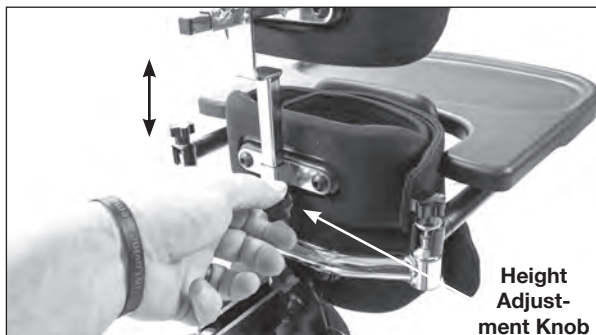


⚠ Warning: NEVER move or carry the stander with a child in it.

Head Support

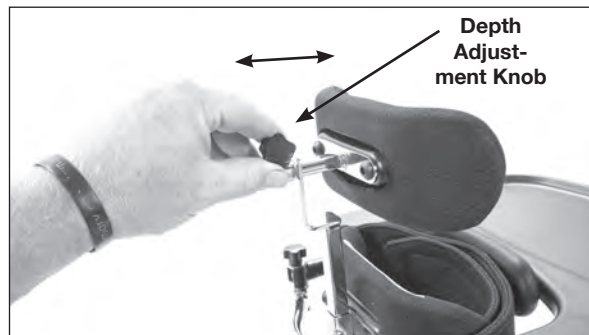
Height

To adjust the head support height, loosen knob and set to desired position. Tighten knob securely.



Depth

To adjust the head support depth, loosen knob and set to desired position. Tighten knob securely.



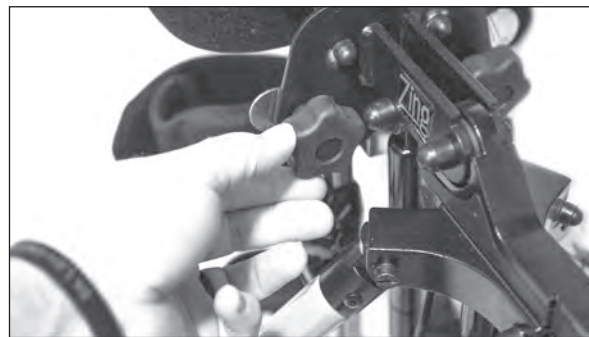
Upholstery and Upholstery Straps

Upholstery is constructed with velcro compatible neoprene material. The hook fastener portion will adhere to any part of the upholstery surface. Use caution when fitting the patient so that upholstery straps are securely affixed and will not cause any unwanted restriction, asphyxiation, or strangulation to the patient. Patients who may be hyper-sensitive or susceptible to Allergic Contact Dermatitis should be monitored closely until it is known if a reaction may occur. There is no natural latex used in any materials in the Zing Portable stander. Upholstery materials used include polyester, nylon, neoprene, and polyurethane.



Abduction

To adjust leg abduction, loosen the knob behind the pelvic pad.

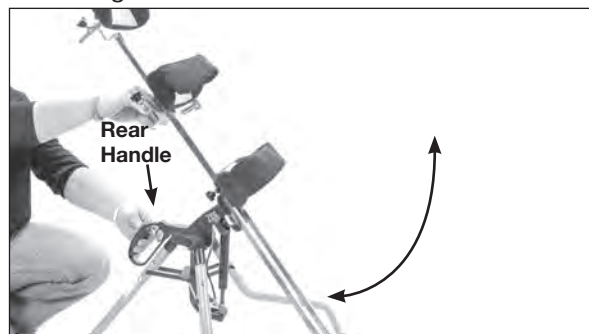


Abduct each leg out to the desired position up to 15 degrees per leg. Tighten securely



Supine

With one hand supporting the unit, Adjust to the desired supine position by depressing the lever on the rear handle and tilting. This can be done with the user in the unit.



Prone

With one hand supporting the unit, Adjust to the desired prone position by depressing the lever on the rear handle and tilting. This can be done with the user in the unit.



Folding

Depress snap button. Carefully push up on the locking mechanism to bring the legs in.

⚠ Caution: Make sure not to pinch fingers.



Adjustment and Usage-Zing Size 1 and Size 2

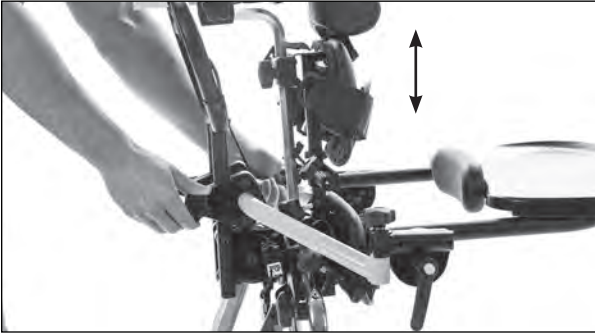
Read all instructions thoroughly before beginning any adjustments.

Trays

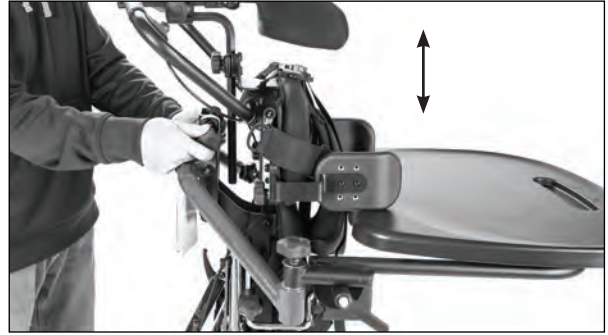
Black Molded/Swing-Away Tray Height

To adjust tray height, loosen knobs on the back of unit and set to desired position. Tighten securely.

Zing 1



Zing 2



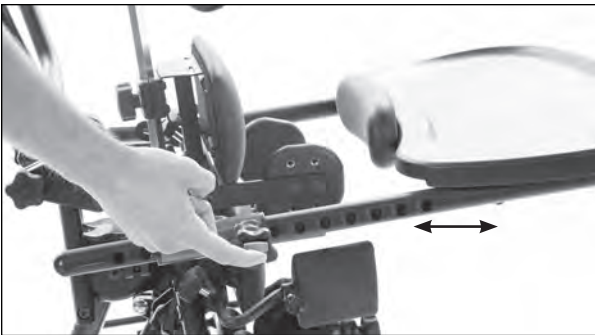
Black Molded Tray Depth

To adjust the tray, loosen the knob until resistance is felt, then flip the gray lever in the center of the knob fully open.

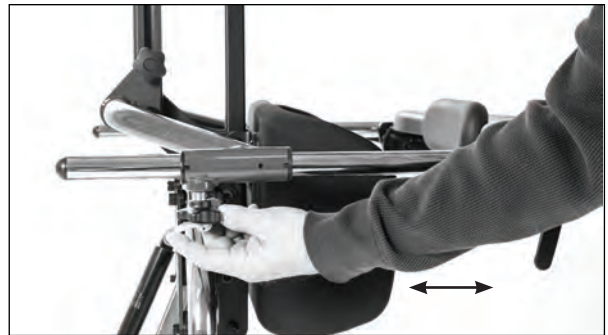


DO NOT continue to turn the knob counterclockwise. Forcing the knob past its stop will damage the mechanism. The tray may now be removed completely, or adjusted to the desired position using the click detent positions as a guide.

Zing 1



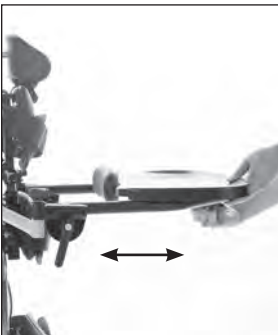
Zing 2



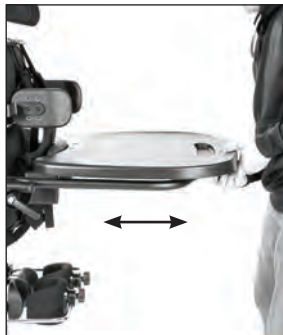
Swing-Away Tray Depth

Loosen knob under the tray, pull or push into desired position. Tighten securely.

Zing 1



Zing 2



Swing-Away Tray Angle

To adjust tray angle, loosen ratchet handles on both sides of the tray, set to desired position. Tighten securely.

Zing 1



Zing 2



Swing-Away Tray Swing-Away

Loosen knob on one side only until you are able to swing tray away. Swing tray away to allow for transfers.

Zing 1



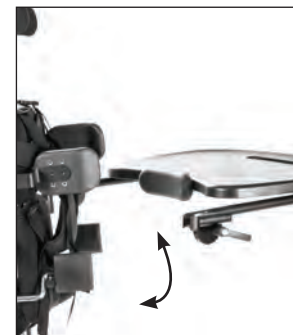
Zing 1



Zing 2



Zing 2



Hip Supports

The hip support width can be adjusted by loosening the knobs behind the pelvic pad. Hip supports come with both thumb knobs and set screws for fore/aft positioning. Adjust to desired position and tighten securely.

Zing 1



Zing 2



To adjust the fore/aft positioning on the hip supports, loosen the thumb knobs, adjust to desired position and tighten securely.

Zing 1 and Zing 2



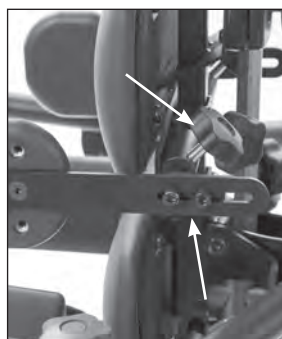
Lateral Supports

The lateral support width can be adjusted by loosening the knobs on the back of the unit. Always tighten securely. The depth can be adjusted by loosening the two bolts, once the desired position is reached. Tighten securely.

Zing 1-TT

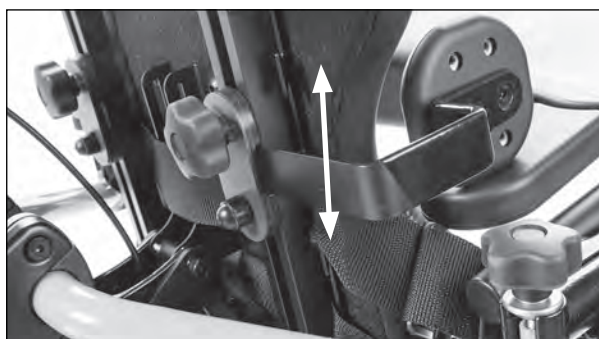


Zing 1-MPS, SUPINE, VERTICAL AND PRONE Zing 2

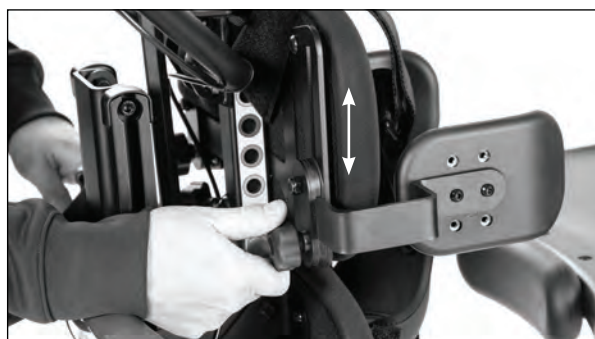
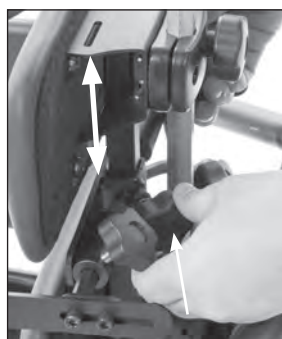


To adjust the lateral support height, loosen knob, adjust to desired position. Tighten securely.

Zing 1-TT



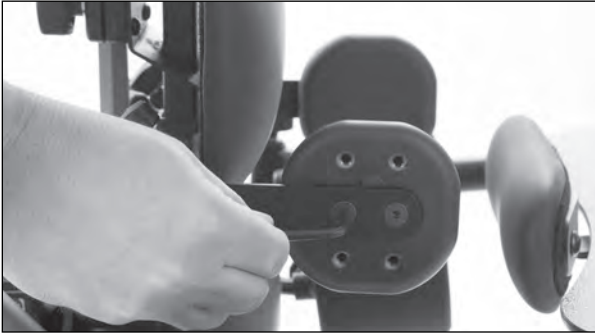
Zing 1-MPS, SUPINE, VERTICAL AND PRONE Zing 2



Lateral Supports-(cont.)

The lateral supports have a number of attachment holes on the back of the pad which will allow for additional positions vertically and horizontally. The pads may also be bolted at a high, low, or neutral position for greater pad range.

Zing 1

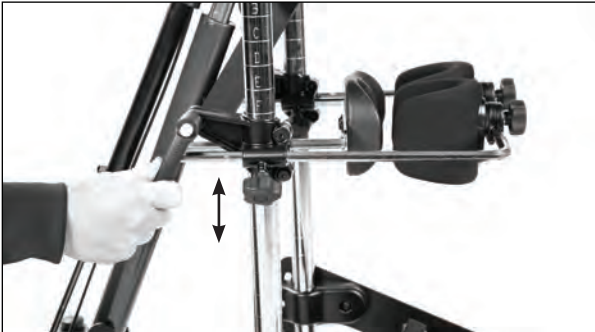


Zing 2

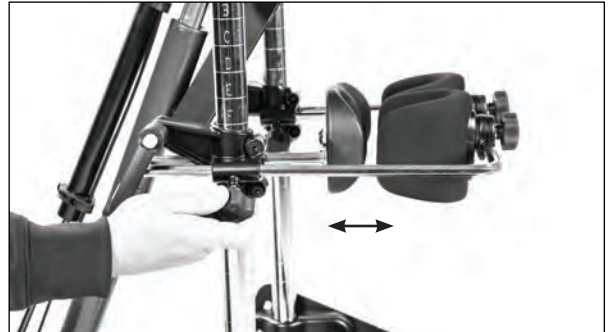


Multi-Adjustable Knee Pads

To adjust the multi-adjustable knee pad height, loosen the ratchet handle. Adjust to desired position. Tighten securely.



To adjust the multi-adjustable knee pad depth, loosen the knob. Adjust to desired position. Tighten securely.



To adjust the multi-adjustable knee pad position, loosen knob and rotate to desired position. Tighten securely.



Calf Pad with Knee Strap

To adjust the calf pad with knee strap, loosen knobs on each side. Position fore/aft and up/down to the desired setting. Tighten securely.



Independent Adjustable Calf Pads

To adjust the independent adjustable calf pad depth, loosen the knob. Adjust to desired position. Tighten securely.

Remove bolts and position as desired to adjust calf pad height. Tighten securely.

Zing 1



Zing 2



Zing 1



Zing 2



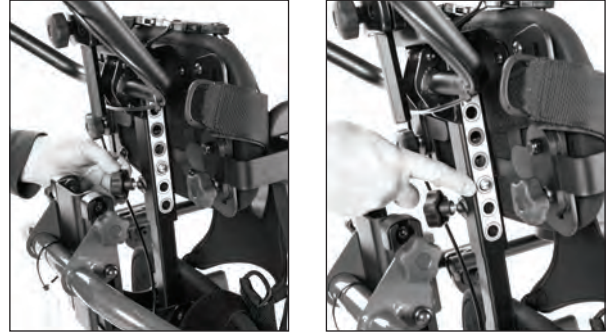
Upper Body Support Pad

To adjust the upper body support pad height, loosen knob, depress spring button and adjust to desired position. Tighten securely.

Zing 1

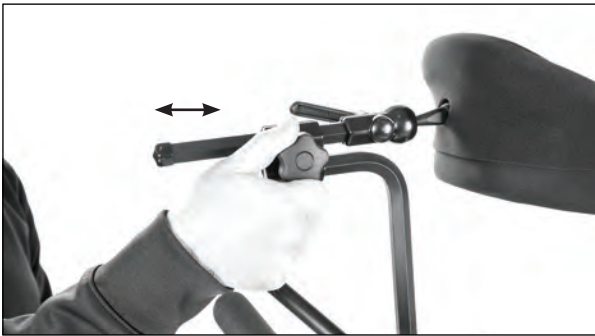


Zing 2

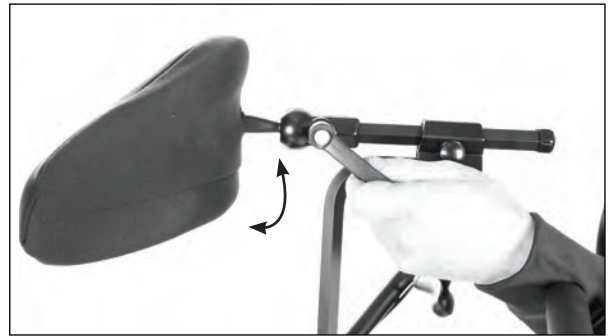


Head Support

To adjust the head support depth, loosen the knob on the back of the headrest and slide into desired position. Tighten securely.



To adjust the head support angle, loosen the ratchet handle and place into desired position. Tighten securely.



To adjust the head support height, loosen the knob on the back, move to desired position. Tighten securely.



Face Aperture

To adjust the aperture height, loosen the knob on the support bracket. Place into desired position and tighten securely.



To adjust the angle or width of the aperture pads, loosen the knobs and place into desired position. Tighten knobs securely.

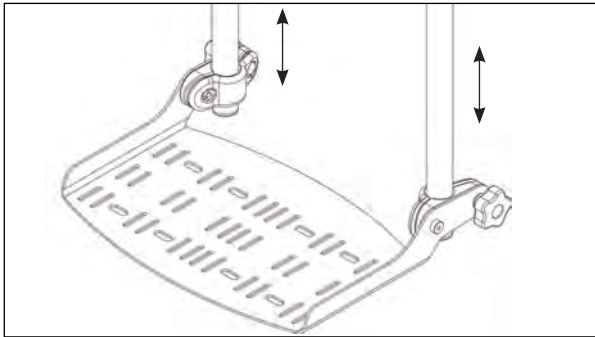


⚠ **Caution:** Never reposition the foot plates with the user in the standing position.

⚠ **Caution:** Avoid placing fingers in the adjustment slot.

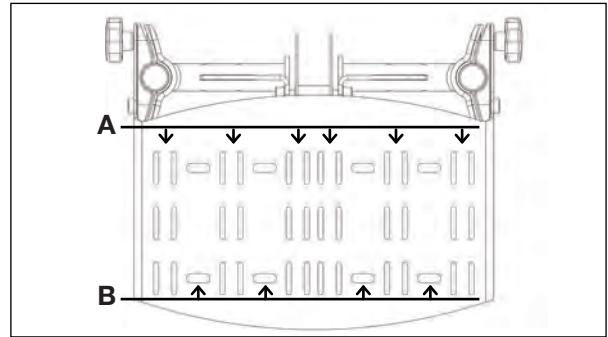
Platform Foot Plates

Height-Platform Foot Plates are only height adjustable. Loosen knob, set to desired position. Tighten securely.



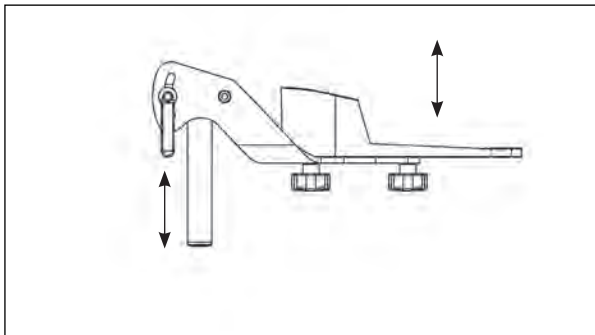
A-Straps (if ordered)-Position straps into desired slots.

B-Foot Holders-Position foot holders into desired position. Insert bolt and tighten knob securely.

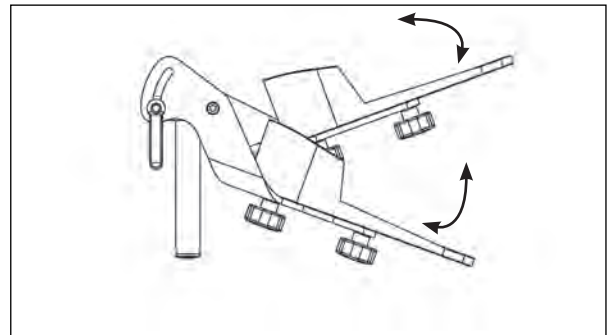


Multi-Adjustable Foot Plates

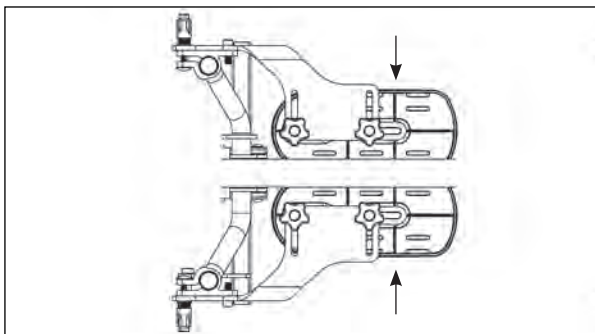
Height-Loosen the ratchet handles connecting the foot bracket to vertical leg tubes to adjust foot plate height.



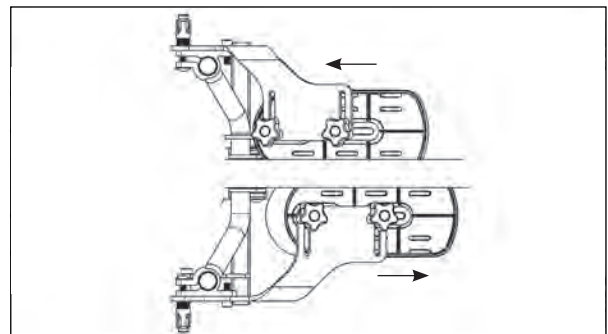
Plantar/Dorsi-Loosen ratchet handles to tilt foot plates. Tighten securely.



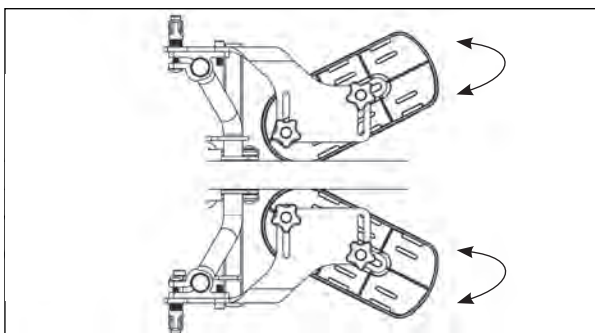
Abduction-Loosen knobs to slide foot plates together. Tighten knobs securely.



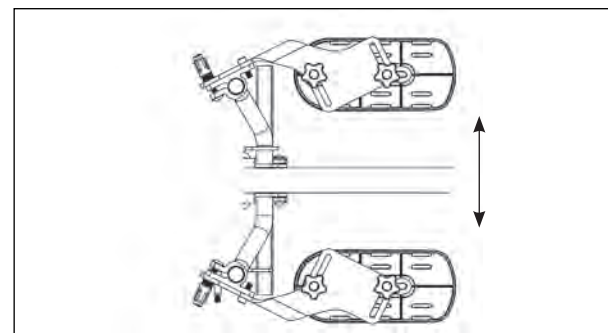
Forward/Aft-Loosen knobs underneath foot plates, slide foot plates into position. Tighten knobs securely.



Toe-in/Toe-out-Loosen knobs underneath foot plates, slide foot plates into position. Tighten knobs securely.



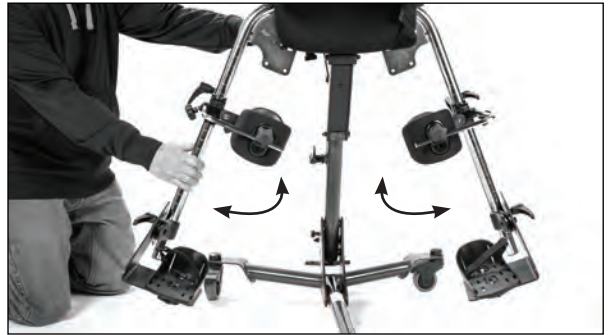
Abduction-Loosen ratchet handles to spread apart foot plates, tighten securely. Loosen knobs under foot plates and slide foot plates apart. Tighten knobs securely.



Leg Abduction

Loosen knob behind the pelvic pad.

Abduct each leg out to the desired position up to 30 degrees per leg. Tighten securely.



Directional Locking Caster

Lock the right rear caster to allow the unit to guide straight. Locking the directional caster locks the directional position of the caster. This will not prevent the caster from rolling.



Gas Spring Lockout

Pull the lockout knob out and twist to unlock. Your unit can now be positioned using the foot pedal or hand lever.

Twist until the knob is vertical and locks into position. The gas spring is now locked from unintended movement.



Dual Control

Squeeze the hand lever to place the unit in the desired position.

Use the foot pedal to place the unit in the desired position.



Supine (MPS only)

Flip the lever located behind the pelvic pad to the “supine to stand” position.

Zing 1



Zing 2



Adjust to the desired supine position by depressing the foot pedal or using the hand pendant on the Pow'r Up option (Zing 2 only) and tilting. This can be done with the user in the unit.



Prone (MPS only)

Flip the lever located behind the pad to the “prone” position.

Zing 1



Zing 2



Adjust to the desired prone position by depressing the foot pedal or using the hand pendant on the Pow'r Up option (Zing 2 only) and tilting. This can be done with the user in the unit.



Adjustment and Usage-**Bantam Extra Small and Bantam Small***

Read *all instructions* thoroughly before beginning any adjustments.

**If the supine option was ordered, refer to page 23 for usage.*

⚠ **Caution:** Do not adjust the seat depth while the user is in the unit.

⚠ **Caution:** Ensure the colors on the seat tube and following arm match.

Seat Depth/Back Angle/Back Height

Remove the Shadow Tray and bring the seat up to a slight angle.

Loosen the knobs on the seat tube and the following arm. Do not unscrew knobs out all the way when adjusting the seat.

The **Bantam Extra Small** back angle adjustments are located above the locking knob. The back angle adjustments go from green (largest) to blue (smallest).

The **Bantam Small** back angle adjustments are located below the locking knob. The back angle adjustments go from blue (smallest) to green (largest).



Adjusting to a shorter setting: Adjust the following arm (back angle) first by depressing the spring button and moving no more than two holes at a time. Then adjust the seat tube (seat depth) one hole at a time. Continue this sequence until you achieve the desired setting and the colors on the seat tube and following arm match.

Adjusting to a longer setting: Adjust the seat tube (seat depth) first by depressing the spring button and moving only one hole at a time. Then adjust the following arm (back angle) no more than two holes at a time. Continue this sequence until you achieve the desired setting and the colors on the seat tube and following arm match.



Note: For easier adjustment you may need to lift slightly as the seat depth adjustment is made.

Tighten the seat depth and following arm knobs securely when you have achieved the desired position.

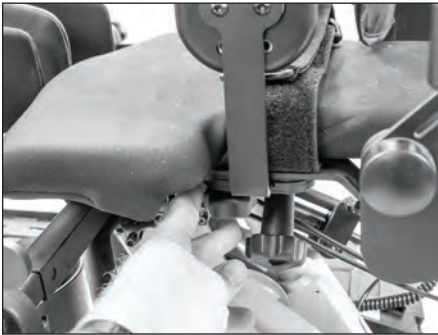
Gas Cylinder

Place foot on the pedal and lift using the assist handle behind the seat to help raise the unit to the standing position. This may also be necessary when lowering the user to the seated position.



Hip Supports

The optional hip supports can be removed for transferring. The hip support width can be adjusted by loosening the knobs underneath the seat. Always tighten securely.

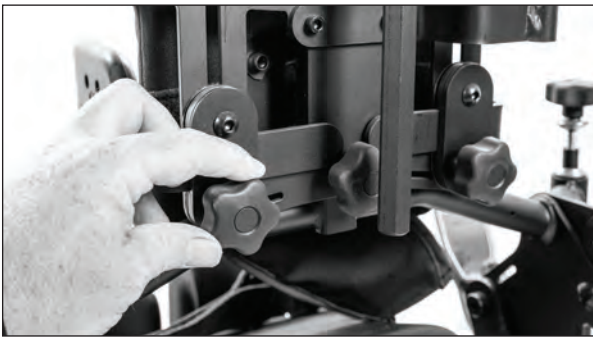


The hip supports have a number of attachment holes on the back of the pad allowing for additional positions vertically and horizontally. The pads can also be bolted on at a straight, 90°, 180° or 270° position.



Lateral Supports

The optional lateral supports can be removed for transferring. The lateral support width can be adjusted by loosening the knobs on the back of the unit. Always tighten securely.



The lateral supports have a number of attachment holes on the back of the pad allowing for additional positions vertically and horizontally. The pads can also be bolted on at a straight, 90°, 180°, or 270° position.



Please check for fit and interference by bringing the unit to the maximum standing position and back to sitting again (without a user seated in the unit) as the pads may not work perfectly in all positions.

Shadow Tray-**Black Molded Tray and Clear Tray Depth**

To adjust the depth of the optional tray, place tray tubes into the receptacles and line up holes to the desired depth, and insert pins.



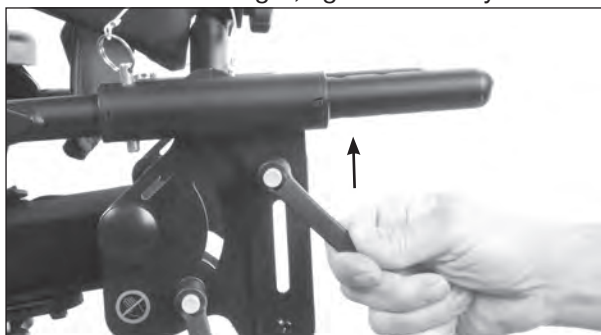
⚠ Caution: These adjustments are only to be made while the unit is in the seated position.

⚠ Caution: Always support the tray when loosening the ratchet handles to adjust the tray.

⚠ Caution: After placing the tray into position, ensure the ratchet handles on the side of the tray are tightened securely.

To adjust the height of the tray, loosen both ratchet handles on the side of the unit and lift the tray to the user's desired height, tighten securely.

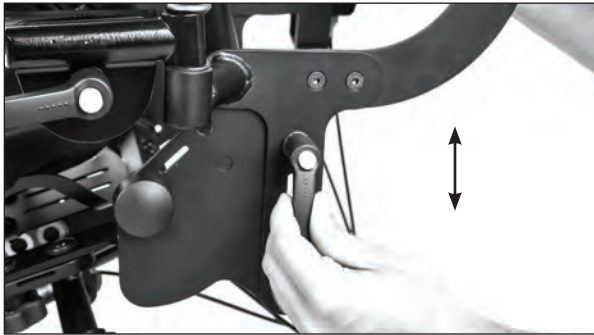
To adjust the angle of the tray, loosen both ratchet handles on the side of the tray and position the tray to the user's desired angle, tighten securely.



Swing-Away Shadow Tray

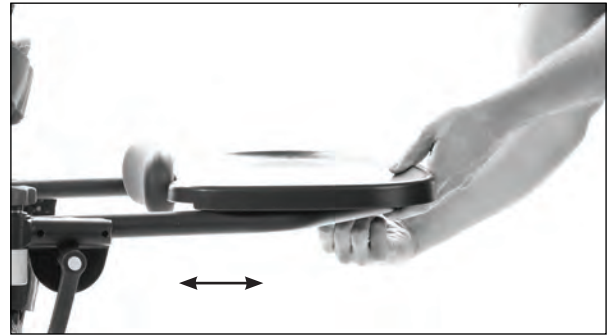
Black Molded/Multi-Adjustable Tray Height

To adjust tray height, loosen knobs on the side of unit and set to desired position. Tighten securely.



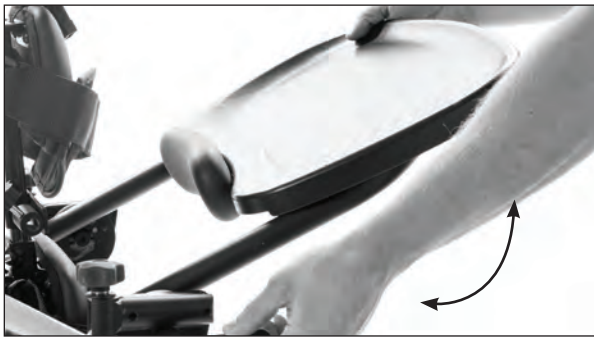
Multi-Adjustable Tray Depth

Loosen knob under the tray, pull or push into desired position. Tighten securely.



Multi-Adjustable Tray Angle

To adjust tray angle, loosen ratchet handles on both sides of the tray, set to desired position. Tighten securely.



Multi-Adjustable Tray Swing-Away

Loosen knob on one side only until you are able to swing tray away. Tray can swing both left and right.



Multi-Adjustable Tray Swing-Away

Swing tray away to allow for transfers.

Note: To remove tray, loosen knobs on both sides of the tray.

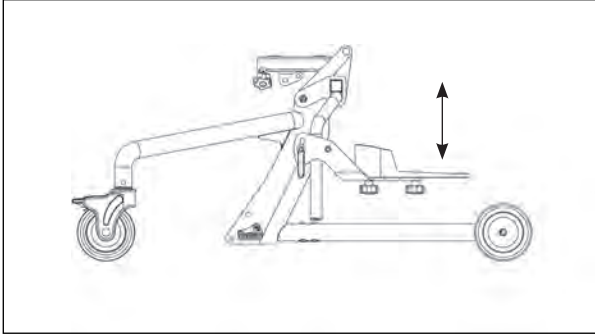


⚠ **Caution:** Never reposition the foot plates with the user in the standing position.

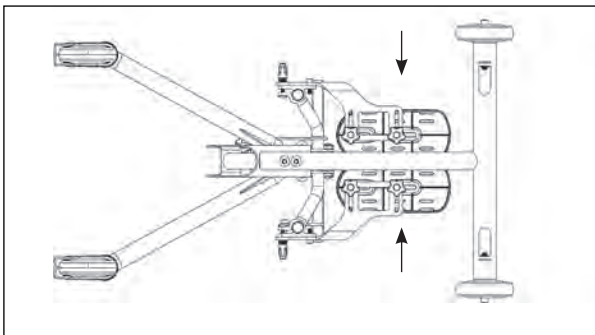
⚠ **Caution:** Avoid placing fingers in the adjustment slot.

Standard Foot Plates

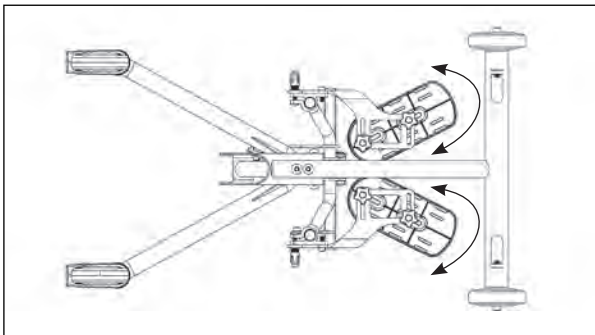
Height-The standard foot plates have height adjustment only. Loosen the clamp connecting the foot bracket to the seat post to adjust foot plate height.



Adduction-Loosen knobs to slide foot plates together. Tighten knobs securely.

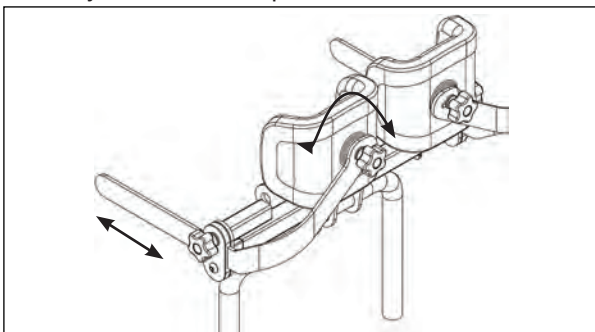


Toe-in/Toe-out-Loosen knobs underneath foot plates, slide foot plates into position. Tighten knobs securely.



Standard Knee Pads

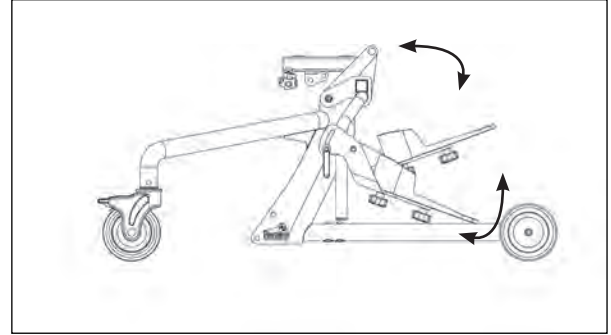
The standard knee pads have depth, height and pad rotation adjustments only. To adjust the knee pads, loosen the knobs and move into position. Tighten securely once desired position is reached.



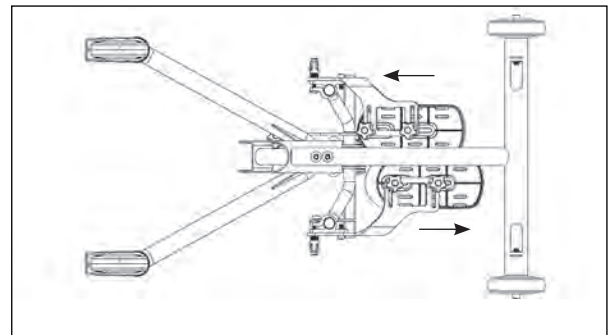
⚠ **Caution:** Make knee pad adjustments while user is in the seated position only.

Multi-Adjustable Foot Plates

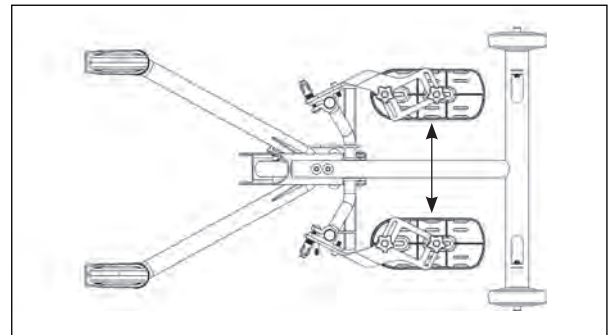
Plantar/Dorsi-Loosen ratchet handles to tilt foot plates. Tighten securely.



Forward/Aft-Loosen knobs underneath foot plates, slide foot plates into position. Tighten knobs securely.

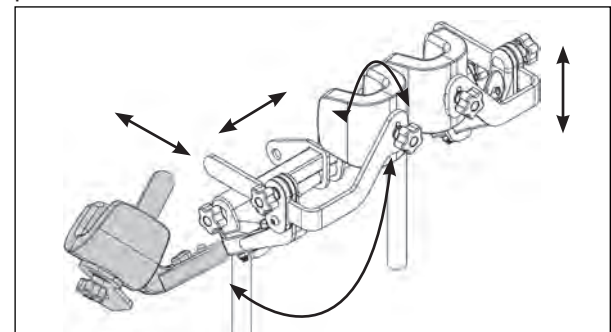


Abduction-Loosen ratchet handles to spread apart foot plates, tighten securely. Loosen knobs under foot plates and slide foot plates apart. Tighten knobs securely.



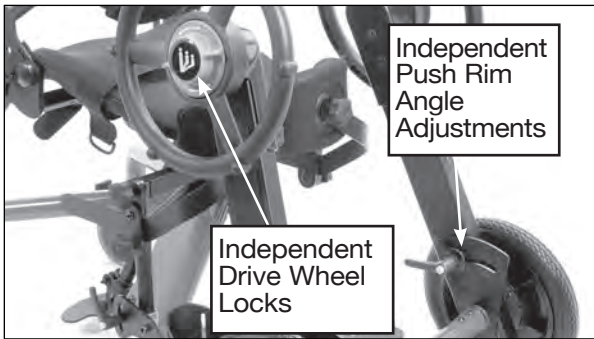
Swing-Away Knee Pads

The Swing-Away Knee pads swing out of the way by depressing the red button, they also have width and height adjustments. Tighten securely once desired position is reached.



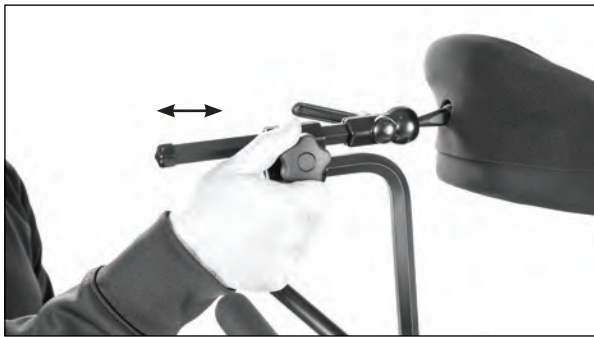
Mobile Option

To lock or unlock the drive wheels, turn the drive wheel lock one quarter turn. Use the push rim adjustment to position the push rims forward or aft, for transferring or self-propulsion. Tighten to lock in position.

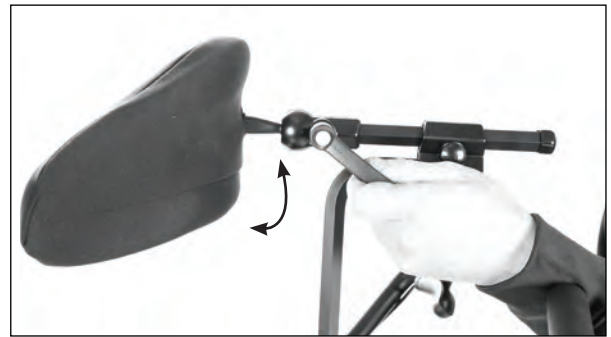


Head Support

To adjust the head support depth, loosen the knob on the back of the headrest and slide into desired position. Tighten securely.



To adjust the head support angle, loosen the ratchet handle and place into desired position. Tighten securely.



To adjust the head support height, loosen the knob on the back, move to desired position. Tighten securely.



Adjustment and Usage-**Bantam Medium***

Read all instructions thoroughly before beginning any adjustments.

*If the was supine option ordered, refer to page 23 for usage.

⚠ Caution: Do not adjust the seat depth while the user is in the unit.

⚠ Caution: Ensure the colors on the seat tube and following arm match.

Seat Depth

1. Prior to adjusting seat depth, make sure the Controller is in the “Sit-to-Stand” position. The seat should be lowered to a seated position for easiest adjustment.

2. Loosen the knob on the outer right side of the seat tube frame underneath the seat. One full turn should be sufficient.

3. With one hand supporting the back (if equipped) depress the spring button on the outer left side of the seat tube underneath the seat. Using the back as a lever, move the seat depth to the desired setting, noting the color. If the seat depth does not move freely, check the seat upholstery at the front of the seat to ensure it can slide freely with the telescoping seat surface, you may need to release it from the velcro. Velcro is used to attach it to the front on the unit.

Re-tighten the knob at this time. If the unit is not equipped with a back, the adjustment is complete. Otherwise continue.

4. Loosen the knob on the following arm.

5. With one hand supporting the back assembly flip the gray plunger lever in the center of the knob fully open. Then continue to loosen the knob until resistance is felt. DO NOT continue to turn the knob counterclockwise. Forcing the knob past its stop will damage the mechanism.

⚠ Caution: Make sure to have one hand supporting the back assembly, flipping the gray plunger lever will cause the back assembly to move freely.

6. Using the back as a lever, adjust the following arm so that the color of the seat depth decal matches the color in the indicator window on the following arm (indicator window as shown).

Release the gray plunger lever to re-engage the locking plungers in the clamp knobs. You may need to partially tighten the knob and slightly move the back assembly to allow the locking pin to engage the “home” position. Fully close the gray plunger lever and tighten the knobs securely.

7. After achieving the desired seat depth, rotate the back angle adjustment knob so the seat/back is in the desired angle.



Hip Supports

The optional hip supports can be removed for transferring. The hip support width can be adjusted by loosening the knobs underneath the seat. Always tighten securely.



The hip supports have a number of attachment holes on the back of the pad allowing for additional positions vertically and horizontally. The pads can also be bolted on at a straight, 90°, 180° or 270° position.



Lateral Supports

The optional lateral supports can be removed for transferring. The lateral support width can be adjusted by loosening the knobs on the back of the unit. Always tighten securely.



The lateral supports have a number of attachment holes on the back of the pad allowing for additional positions vertically and horizontally. The pads can also be bolted on at a straight, 90°, 180°, or 270° position.



Back Option

To adjust the back angle, adjust the knob to the desired position.

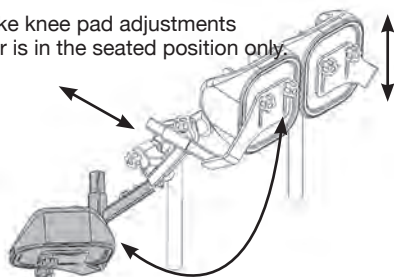


Please check for fit and interference by bringing the unit to the full standing position and back to sitting again without a user seated in the unit. Due to the variety of adjustments that can be made the pads may not work properly in all settings or configurations.

Knee Pad

To adjust the knee pads, loosen the knobs and move into position. Tighten securely once desired position is complete. The standard knee pads have depth and pad rotation adjustments only. The Swing Away Knee pads swing out of the way by depressing the red button, they also have width and height adjustments.

Caution: Make knee pad adjustments while the user is in the seated position only.



Foot Plates

Adjust the foot plate by loosening the red ratchet handle on the foot plate, up or down and to the desired angle, tighten securely. Foot plates maybe be inverted for increased range.



Caution: Never reposition the foot plates while a user is in the standing position.

Head Support

To adjust the head support height, loosen the knob on the back of the back option, move to desired position and tighten securely.



To adjust the head support depth, loosen the knob on the back of the headrest and slide into desired position, tighten securely.



To adjust the head support angle, loosen the ratchet handle and place into desired position. Tighten securely.



Caution: Extra care should be exercised if the tray is adjusted with a patient seated in the unit to ensure they are being supported by a chest vest, chest strap or similar supportive device. Lateral guides by themselves, even models with an anterior inward curve, should not be relied upon for frontal support.

Caution: Never adjust or remove the tray while the patient is standing or in a partially standing position.

Shadow Tray Adjustment

To adjust tray depth, loosen each knob as shown all the way loose. Then flip the gray plunger lever in the center of each knob fully open until it “clicks”. Continue to loosen the knob until resistance is felt. DO NOT continue to turn the knob counterclockwise. Forcing the knob past its stop will damage the mechanism.

The tray may now be removed completely, or adjusted to the desired position using the click detent positions as a guide.

Release the gray plunger levers to re-engage the locking plungers in the clamp knobs. You may need to partially tighten the knobs and slightly move the tray back and forth to allow the locking pins to engage their “home” positions. Fully close the gray plunger levers and tighten the knobs to secure the tray.

To adjust tray angle, loosen one lever clamp approximately 2 turns at either side of the tray where the extension tubes are attached, as shown. Support the tray with one hand before fully loosening the second lever clamp.

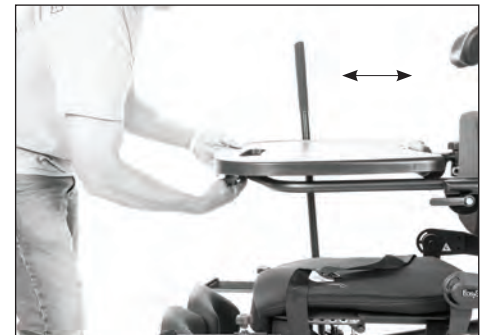


Move the tray surface to the desired angle and re-tighten both lever clamps securely.

Swing-Away Shadow Tray Adjustment

To swing-away tray, loosen one knob and swing tray away.

To adjust tray depth, loosen knob under tray, set to desired depth and tighten securely.



To adjust tray angle, loosen one lever clamp approximately 2 turns at either side of the tray where the extension tubes are attached, as shown. Support the tray with one hand before fully loosening the second lever clamp.

Adjust to desired angle and tighten securely

Swing-Away & Shadow Tray Adjustment

To adjust the tray height, loosen both knobs on the back of the unit and set to desired position. Tighten knobs securely.



Controller Usage-Bantam Products Go to easystand.com/videos for a short video on the controller usage.

Designed with ease of use and the safety and comfort of the user in mind, the Controller (as shown) is the single point of operation for the supine option.

The Controller has 3 positions:
Neutral, Sit-to-Stand, and Supine

There is a spring loaded safety collar (red colored) which prevents inadvertent switching between modes. It must be lifted upward into the shift knob before the mode can be changed.

Sit-to-Stand Mode

The unit is locked into sit to stand mode when the foot bracket is locked to the base frame.

Please note that even though the controller is set to sit to stand mode, the foot plate bracket must be brought perpendicular to the floor and locked into place. If the bracket is not already in position this can be accomplished by pushing on the supine assist handle.

Listen for a clicking sound to indicate that the unit is locked into sit to stand mode.

If you can move the back support, or foot supports forward or backward, the unit is not yet locked in sit to stand mode.

The sit to stand mode allows the user to move between sitting and standing positions. The hip and knee pivot points articulate while maintaining constant angles for the back and foot support bracket.

Important: All seat depth and following arm adjustments should be made with the Controller in the Sit-to-Stand mode.

Neutral Mode

The controller should only be set in the neutral position when changing between the sit to stand and supine positioning modes.

Do not leave the controller in neutral position with a person in the Bantam.

The neutral position allows the foot bracket supports and the back support to move freely at the hip and knee pivot points to go into partial supine or full supine.

⚠ Caution: If the back angle adjustment has been reclined prior to switching into Neutral mode, the amount of recline will remain relative to its previous adjustment. For example, if the back is adjusted to 10 degrees reclined while the patient is seated, the backrest will be 10 degrees BELOW parallel with the seat if the unit is placed in full supine. For the comfort and safety of the patient, the operator or attendant must be fully aware of back angle adjustment and should confirm “same color” settings on the seat depth and following arm BEFORE switching to Neutral or Supine modes.

**Bantam Extra Small
Bantam Small
Sit-to-Stand Mode**



Bantam Medium



Neutral Mode



Controller Usage-(cont.)

Supine Mode

⚠ Caution: A properly fitted and adjusted headrest **MUST** be used with the supine option.

The Bantam with Supine Option functions both as a sit-to-stand stander and a supine stander. It may be safely switched between modes at will, without removing the user from the stander.

⚠ Caution: Do not make back angle adjustments while in supine mode.

- The unit is locked into supine mode as soon as the controller is set in that position.

- The foot bracket supports and back support are locked in relation to each other in Supine mode. When in partial supine or full supine the user can be elevated to an upright position or descended to a reclined position.

- If the unit is locked in supine mode, you must only elevate the unit to the point where the footplate bracket comes perpendicular to the floor. **DO NOT CONTINUE TO ELEVATE THE UNIT PAST THIS POINT.** Forcing the unit to elevate past its stopping point could result in damage to the unit.

- The unit is equipped with a Mechlok bypass. This mechanism prevents component damage in the event of over-travel while locked in "Supine" mode. If in supine mode with the legrest assembly up against the seat column (vertical), the Mechlok bypass will be activated. If you wish to maintain supine position while lowering the seat, it is necessary to pull on the supine assist handle a few degrees while lowering the unit until the Mechlok bypass de-activates. If this is not done, the stander will behave as though it is in "Sit-to-Stand" mode, allowing the user to return to a seated position.

⚠ Caution: When in supine mode, if the limit is reached where the foot bracket is perpendicular to the floor, but the user wishes to continue to a straighter standing position you must change the controller to sit to stand mode. This will allow the user to continue toward upright standing without damaging the unit. A limit switch in Supine mode cuts current to the actuator when the legrest carrier is perpendicular to the floor, preventing over-travel and damage to the unit.

**Bantam Extra Small
Bantam Small
Supine Mode**



Bantam Medium



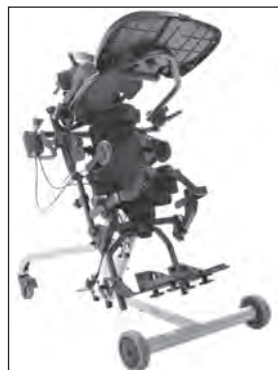
**Bantam Extra Small
Bantam Small
Supine Mode**



**Bantam Medium
Supine Mode**



**Bantam Extra Small
Bantam Small
Neutral Mode**



**Bantam Medium
Neutral Mode**



**Bantam Extra Small
Bantam Small
Sit-to-Stand Mode**



**Bantam Medium
Sit-to-Stand Mode**



Adjustment and Usage-Evolv Product Line

Read all instructions thoroughly before beginning any adjustments.

⚠ Caution: Never reposition the foot plates while a user is in the standing position.

Seat Depth/Back Angle/Back Height

Remove the Shadow Tray and bring the seat up to a slight angle.

1. Loosen the knob on the seat tube located under the seat. Do not unscrew seat depth knob all the way when adjusting the seat.

Depress the spring button and position the back so that the hip pivot is located as close as possible to the user's hips. Tighten the seat depth knob securely.

Note: Adjust back angle after each seat depth position change.



2. To adjust the back angle, use the knob located on the following arm. Before standing, the back angle must be set so the indicator on the side of the unit is in the green.

The back/seat angle locator is located on the side of the unit. When the unit is in the seated position, the green area indicates the back angle.

⚠ Caution: Before standing, the seat/back angle indicator must be in the green. Failure to set the back angle in green prior to standing could cause the unit to lock in a standing position, causing damage to the unit.

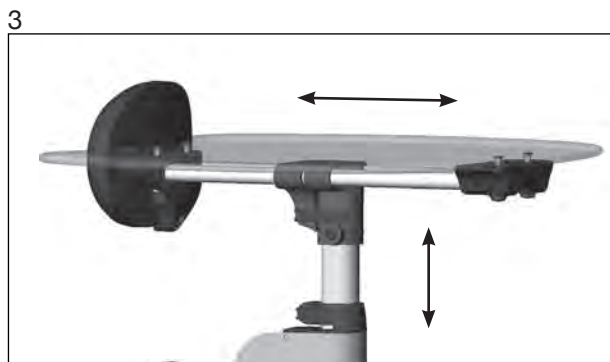


Tray/Front Pad

3. To adjust the height of the tray/front pad, loosen the clamp located just above the front column. Lift the tray to the user's desired height level and tighten the clamp.

To adjust the depth of the tray/front pad, loosen the clamp located just below the tray. Move the front pad to the user's desired position and tighten the clamp.

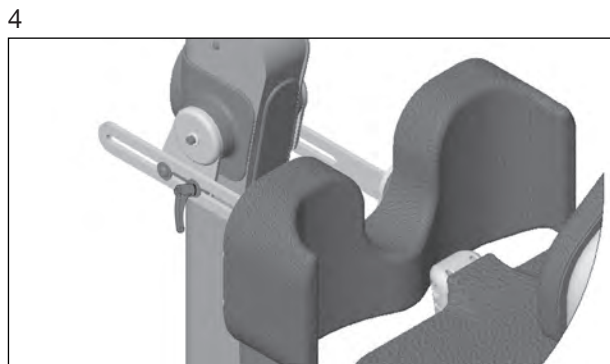
⚠ Caution: While lowering the tray height, keep hands clear of the area underneath the tray.



Knee Pad

4. To adjust the knee pad depth, loosen the ratchet handle and move into position. Tighten ratchet handle when the desired position is reached.

Position the knee pad so the user's knee is centered in the knee pad and only 2 fingers fit between the back of the leg and the seat.



Foot Plates

⚠ **Caution:** Never reposition the foot plates while a user is in the standing position.

5. Loosen the clamp connecting the foot bracket to the seat post to adjust the foot plate height for the standard foot plate. Multi-Adjustable foot plates adjust in height and plantar/dorsi.

Position the height of the foot bracket so the user's knee is as close to the seat pivot as possible. The femur should be resting on the seat, at a slight downward angle.

Tighten the clamp securely.

⚠ **Caution:** Avoid placing fingers in the adjustment slot.

6. The foot plates can be abducted in 4 different positions (toe out), by removing the bolt underneath the front edge of the foot plate with a hex wrench and lifting up and turning the foot plate. Make sure the foot plate notch is positioned in one of the four slots. Place the bolt back into the foot plate once the desired position is reached.

Hip Supports

7. The hip supports are optional and can be removed for transferring. The hip support width can be adjusted by loosening the knobs underneath the seat. Always tighten securely.

The hip supports have a number of attachment holes on the back of the pad which will allow for additional positions vertically and horizontally. The pads may also be bolted on at a straight, 90°, 180°, or 270° position.

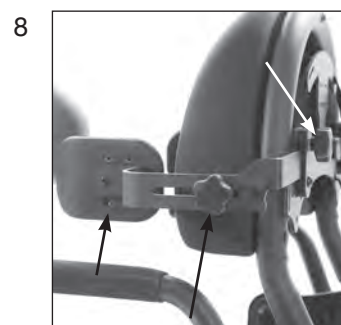
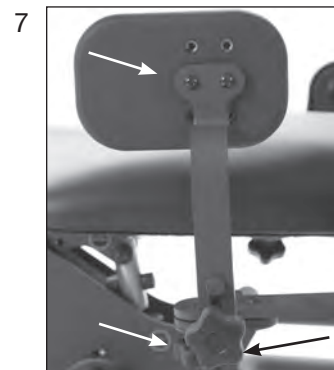
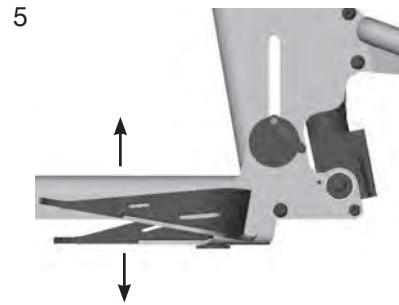
Please check for fit and interference by bringing the unit to the full standing position and back to sitting again without a user seated in the unit, as the pads may not work perfectly in all positions.

Lateral Supports

8. The lateral supports are optional and can be removed for transferring. The lateral support width can be adjusted by loosening the knobs on the back of the unit. The lateral support depth can be adjusted by loosening the knob on the side of the unit. Always tighten securely.

The lateral supports have a number of attachment holes on the back of the pad which will allow for additional positions vertically and horizontally. The pads may also be bolted on at a straight, 90°, 180°, or 270° position.

Please check for fit and interference by bringing the unit to the full standing position and back to sitting again without a user seated in the unit, as the pads may not work perfectly in all positions.



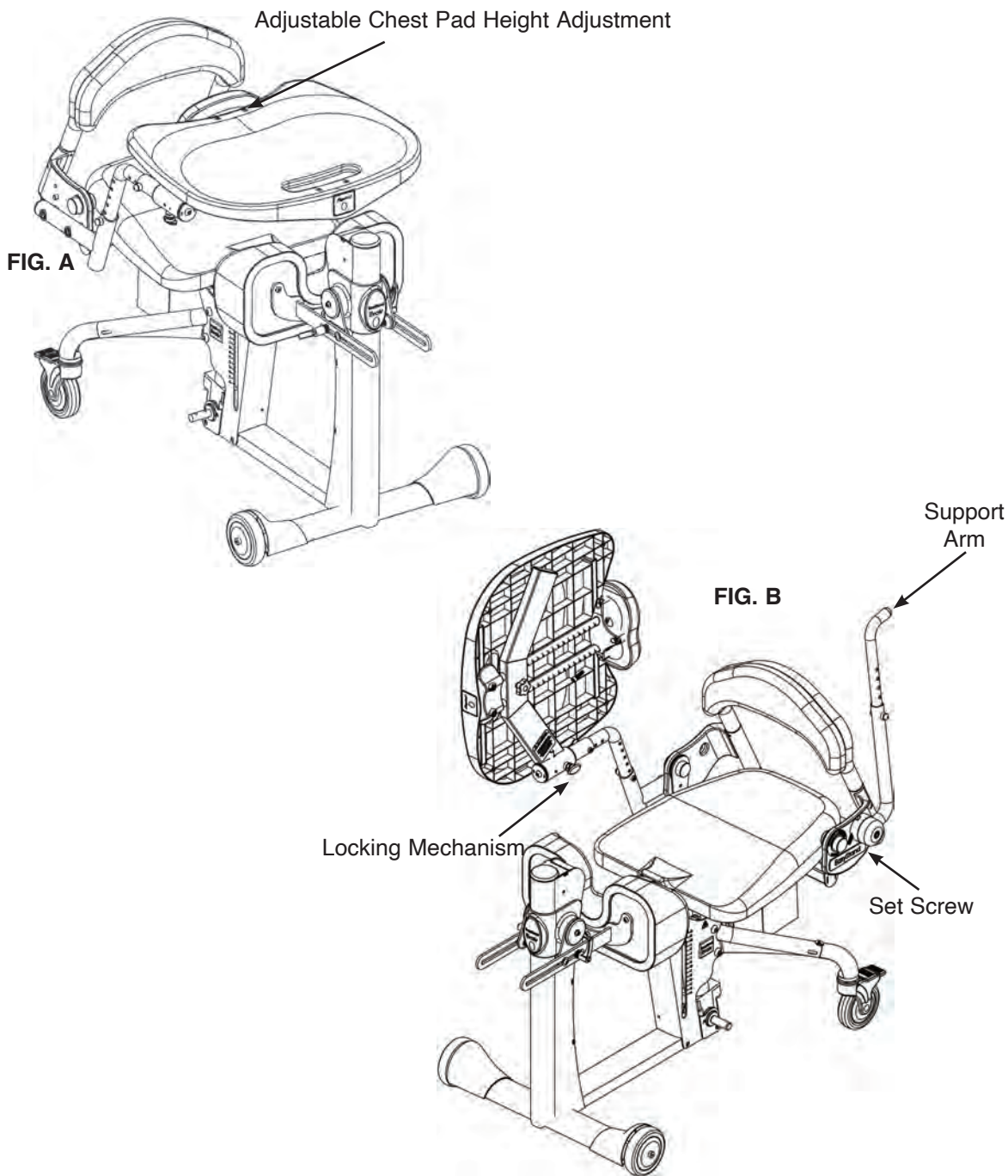
Shadow Tray-Tray and Chest Pad Adjustment

⚠ **Caution:** After flipping the tray up, be certain to put the locking mechanism back into place. Failure to do so can cause the tray to fall suddenly.

⚠ **Caution:** Avoid placing fingers near the tray tubes and chest pad height adjustment slots.

FIG. A- To adjust the adjustable chest pad height, loosen knob and move to desired position. Tighten securely.

FIG. B- To adjust the depth of the front pad and tray, loosen the knob located below the tray. Move the front pad to the user's desired position and tighten the knob. To flip the tray up, pull out and twist the locking mechanism and lift. To adjust the level of the support arm use the set screw to set to the desired position.



Shadow Tray-Tray arm depth and height



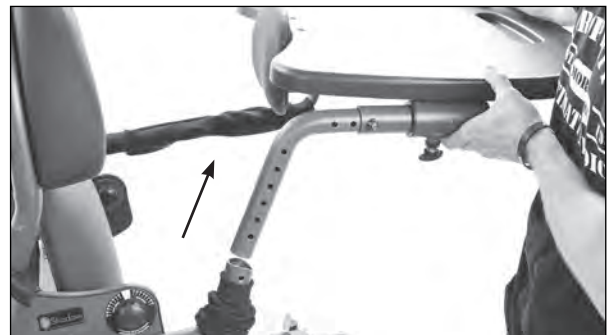
1. Pull the cloth protection sleeve down to expose the lower tray tube bolt and remove black protective cap.



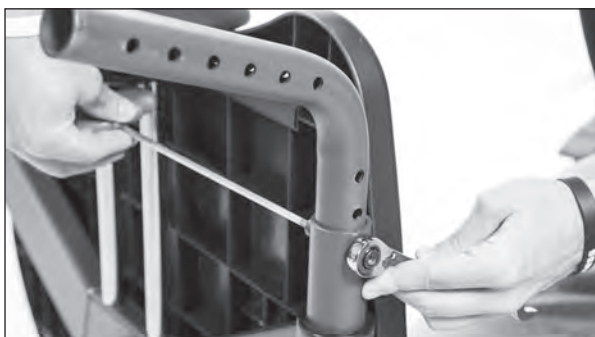
2. Use a hex wrench and 13mm wrench and remove nut and washer.



3. Remove the bolt.
Note: You may need assistance taking pressure off bolt by moving the tray.



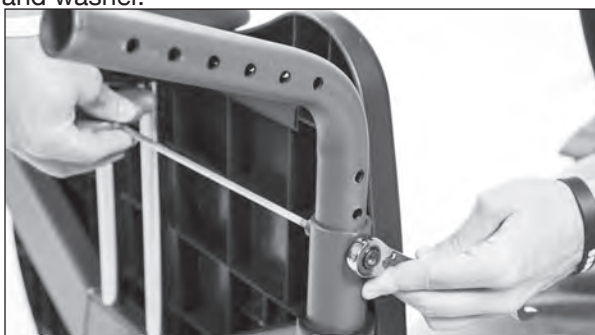
4. Remove tray.



5. Remove black protective cap from the nut. Use a hex wrench and 13mm wrench and remove nut and washer.



6. Place tray arm into desired position.



7. Insert bolt. Place washer and nut onto bolt and tighten securely. Place black protective cap onto nut.



8. Insert tray tube into the tray bracket at desired height.



9. Using hex wrench and 13mm wrench tighten securely.



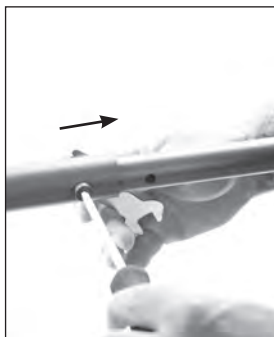
10. Place black protective cap onto nut.



11. PULL THE CLOTH PROTECTION SLEEVE ON THE TRAY TUBE AS SHOWN.



12. Pull the cloth protection sleeve down on the support arm to expose the bolt. Remove the black protective cap on the support arm.



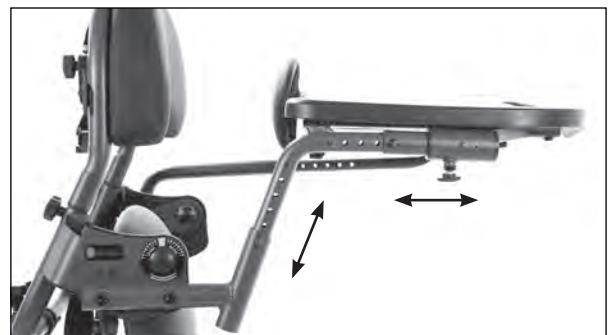
13. Use a hex wrench and 13mm wrench and remove nut and washer. Place into desired position. Use a hex wrench and 13mm wrench and tighten securely. Place black protective cap onto nut.



14. Use a hex wrench to adjust the support arm to level tray out.



15. Support arm must support the tray as shown.



The adjustable shadow tray has 6 height and 6 depth adjustment slots.

Adjustment and Usage-Glider Product Line

Read *all instructions* thoroughly before beginning any adjustments.

⚠ Caution: Never reposition the foot plates while a user is in the standing position.

Seat Depth/Back Angle/Back Height

Bring the seat up to a slight angle.

Loosen the knob on the seat tube located under the seat. Do not unscrew seat depth knob all the way when adjusting the seat.

Depress the spring button and position the back so that the hip pivot is located as close as possible to the user's hips. Tighten the seat depth knob securely.

Note: Adjust back angle after each seat depth position change.



Green Area

To adjust the back angle, use the knob located on the following arm. Before standing, the back angle must be set so the indicator on the side of the unit is in the green.

The back/seat angle locator is located on the side of the unit. When the unit is in the seated position, the green area indicates the back angle.



⚠ Caution: Before standing, the seat/back angle indicator must be in the green. Failure to set the back angle in green prior to standing could cause the unit to lock in a standing position, causing damage to the unit.

Tray/Front Pad

To adjust the height of the tray/front pad, loosen the clamp located just above the front column. Lift the tray to the user's desired height level and tighten the clamp.

To adjust the depth of the tray/front pad, loosen the clamp located just below the tray. Move the front pad to the user's desired position and tighten the clamp.

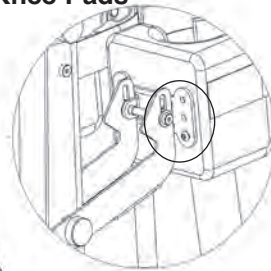


⚠ Caution: While lowering the tray height, keep hands clear of the area underneath the tray.

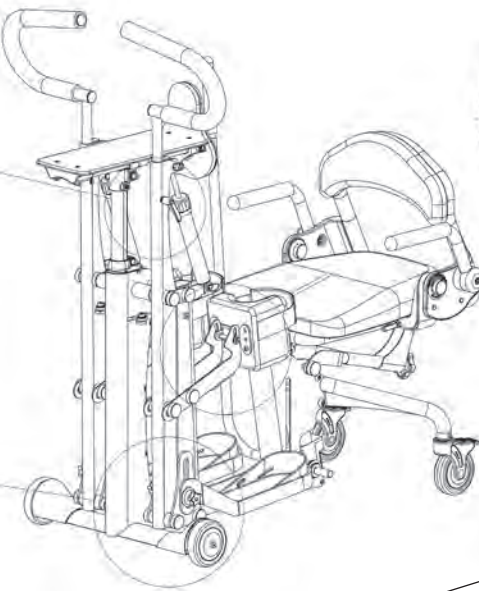
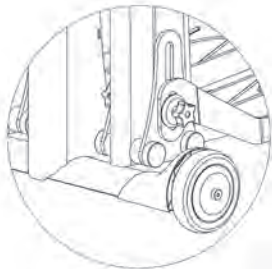
Glide Handles



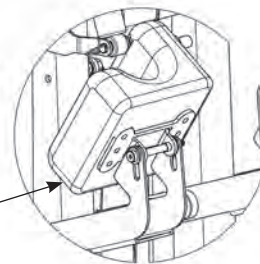
Knee Pads



Foot Plates



Knee Pads



Glide Handles

To adjust the height of the glide handles, loosen ratchet clamps. Adjust the handles to the user's desired position and tighten the clamps securely.

The resistance cylinders are individually adjustable to provide twelve different resistance settings. Turn the cap of the cylinders to the desired resistance. The resistance cylinders can also be disconnected by disengaging the pull pin.

Foot Plates

Adjust the foot plates by loosening the two knobs on each foot plate (for easier access to the inside knob, swing the leg assembly forward), so the user's knees are centered in the knee pads and the femur is resting on the seat. Tighten securely.

⚠ Caution: Never reposition the foot plates while a user is in the standing position.

⚠ Caution: Avoid placing fingers in the adjustment slot.

Knee Pads

Often, proper fit can be achieved by adjusting the foot plate height. When necessary, the knee pads are independently adjustable with five adjustments. To adjust the knee pads, remove the bolts from the knee pads and adjust to the desired position. Replace the bolts and tighten securely.

Before transferring, flip up the knee pads to allow easier access.

⚠ Caution: Never make adjustments to the EasyStand while a user is in the standing position.

⚠ Caution: While using the Glider, advise bystanders to keep hands and feet clear of the Glider mechanism.

⚠ Caution: While using the Glider, keep hands clear of the resistance cylinders' upper and lower mounting points.

Adjustment and Usage-StrapStand

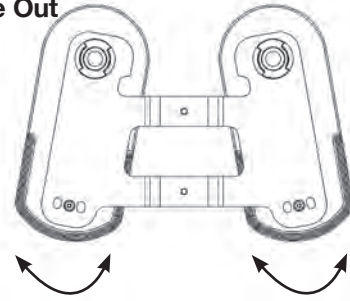
Read *all instructions* thoroughly before beginning any adjustments.

⚠ Caution: Never reposition the foot plates while a user is in the standing position.

Foot Plates

To adjust the abduction (toe out) of foot plates, remove the bolt under the front edge of the foot plate with a hex wrench. Lift up and turn the foot plate to desired position. Make sure the foot plate is positioned in one of the slots (3 positions for standard foot plate, 4 positions for optional, multi-adjustable foot plates) and re-secure with bolt.

Adjust Toe Out



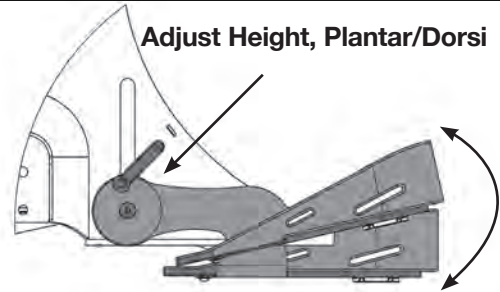
Mult-Adjustable Foot Plates

Loosen the clamp connecting the foot bracket to the base to adjust the foot plate height and plantar/dorsi.

Position the height of the foot plate so the user's knee is centered in the knee pad. Tighten the clamp securely.

⚠ Caution: Avoid placing fingers in the adjustment slots.

Adjust Height, Plantar/Dorsi



Knee Pad

To adjust the knee pad depth, loosen the knob and move into position. Tighten knob once desired position is achieved. To adjust the knee pad height, loosen the knob behind the knee pad and move into position. Tighten knob once desired height is achieved.

Adjust Height

Adjust Depth

Tray

To adjust the height of the chest pad or optional tray, loosen the clamp located just above the base. Lift the tray to the desired height and tighten the clamp.

To adjust the depth of the chest pad or optional tray, loosen the clamp located just below the tray. Move the front pad to the desired position and tighten the clamp.

Adjust Depth

Adjust Height

⚠ Caution: While lowering the tray height, keep hands clear of the area underneath the tray.

Pow'r Up Lift Option* *only applicable if unit is equipped.

Zing Size 2, Bantam Extra Small, Bantam Small, Evolv Product Line and Glider Product Line

Charging the Battery

The EasyStand Pow'r Up Lift uses two 12 volt sealed lead batteries rated at 2.9 amps each. An EasyStand can be lifted approximately 100 times on one full battery charge. An audible tone will sound indicating when the battery is low. Please charge the battery after you hear the tone. A battery needing to be fully recharged will take approximately 8 hours. The EasyStand can be raised to the standing position while being charged. The function of the charger is to detect a full battery and then provide a constant potential power supply to hold the battery at a full condition without overcharging. When the battery EMF rises to a factory preset point, the charger circuit will not allow the peak output voltage to exceed that value. This factory setting protects a battery from excessive depletion of electrolyte, which can occur from overcharging. The charger can be found in the tool pouch on the back of the unit.

⚠ **Caution:** Use only the Linak charger, model number CH01-01 provided by Altmate Medical with the Pow'r Up option. Do not remove the country adapter plug from the charger.

1. Plug the receptacle into a wall outlet (with the power cord hanging downward from the charger). The length of the charger cable is 80" (203cm). The light on the charger will be green indicating an open circuit.

2. Plug the charger cord into the side of the hand control. The light on the charger will turn yellow indicating the batteries are being charged. The length of the hand control cable is 30" (76cm), retracted.

3. The unit will arrive unplugged from the battery, plug in the white cord that supplies power to the actuator and the black cord that supplies power to the remote. The black cord has a notch on it to orient the connector properly. Fully charge battery before use.

Note: The white cord has a rubber washer on it, which makes it very sticky and sometimes will not get pushed in completely, make sure to push the cord all the way into the battery.

4. When the batteries are charged, the light on the charger will turn green.

5. Fully charge the batteries every three months or less during periods of intermittent or non-use.

⚠ **Warning:** Always remove the battery from this equipment if this equipment is not likely to be used for some time.

Raising the Lift - Press the UP (arrow up) button on the hand control to lift the seat.

Lowering the Lift - Press the DOWN (arrow down) button on the hand control to lower the seat.

⚠ **Caution:** Ensure the cables are attached properly per the instructions for use. Do not allow the cables to drag on the floor or to catch on objects. A pouch is installed at the rear frame to store the power cord when not in use.



THE HAND CONTROL IS A TYPE BF APPLIED PART.



Bantam Extra Small, Bantam Small, Evolv Product Line and Glider Product Line



Zing Size 2



Battery Replacement

The batteries are enclosed in the control box of the Pow'r Up Lift (the black box where the cords are plugged in). Once the batteries have reached the end of their life and need to be replaced, do not open the control box; please contact Altimate Medical Customer Service or your medical equipment dealer for information about purchasing a replacement control box. It is recommended that the batteries be replaced every four years.

Please contact your local recycling authority for information about disposing of the old batteries.

IP Rating

The IP rating is a classification system indicating the protection degree from dust, water and impact for electrical equipment and enclosures. Pow'r Up Lift components are rated at IP21. The definition for IP21 is as follows:

First character definition: 2 - Protected against solid foreign objects of 12.5mm diameter and greater.

Second character definition: 1 - Protected against vertically falling water drops.

Electromagnetic compatibility

Pow'r Up Option components have been designed and tested to meet the applicable EMC requirements. Problems with the EasyStand due to inadequate electromagnetic compatibility is unlikely, however, if any unusual (such as intermittent) behavior of the Pow'r Up option and the EasyStand is noticed and it is being used next to possible interfering equipment such as mobile phones, microwaves, or radio broadcast masts, this could be an indication of electromagnetic interference. If such behavior occurs, use the mechanical release to lower the unit to the seated position and move the EasyStand away from the interfering equipment. Please report any instance of possible electromagnetic interference to AMI's Customer Service Department.



WARNING: Use of accessories, transducers and cables other than those specified or provided by the manufacturer of this equipment could result in increased electromagnetic emissions or decreased electromagnetic immunity of this equipment and result in improper operation.

Activating the Mechanical Emergency Release

All Altimate Medical electric lift products are equipped with a mechanical release to be used in emergency situations.

Caution: Using the emergency mechanical release as the primary means to return to the seated position can cause damage to the unit. Only use the mechanical release in emergency situations.

The release allows the user to be lowered to a seated position in the unlikely occurrence of the battery losing charge while the user is in a standing position. The actuator only retracts if the release is pulled and there is weight on the seat. The release is located on the left side of the seat and is signified by a red tag with the word "EMERGENCY."

1. To activate the emergency mechanical release pull out the quick release pin located on the left side of the seat.
2. Squeeze the handle and if necessary, push down on the seat.



Pow'r Up Lift Option* - **Bantam Medium**

*only applicable if unit is equipped.

Charging the Battery

The EasyStand Bantam Medium Pow'r Up Lift uses sealed lead batteries rated at 5.0 Ah. An EasyStand Bantam Medium can be lifted approximately 80 times on one full battery charge. The indicator light will change from green to amber when it is necessary to recharge. A battery needing to be fully recharged should be allowed approximately 24 hours. The EasyStand Bantam Medium can be used while being charged. The function of the charger is to detect a full battery and then provide a constant potential power supply to hold the battery at a full condition without overcharging. It is recommended to keep the unit plugged in to mains when possible to maintain a float charge state. While unplugged, the control box continues to monitor ready-state and will eventually deplete the battery. If the unit is left unplugged for a period of time, it will become necessary to fully recharge.

⚠ **Caution:** Use only the cordset provided by Altimate Medical with the Pow'r Up option. Contact Altimate Medical Customer Service for the appropriate cordset for your country or region.

1. Plug into a wall outlet. The length of the charger cable is 79" (2 meters).
2. Fully charge the battery for 24 hours before the first use.
3. Internal batteries are not user serviceable. Contact Altimate Medical Customer Service for replacement if and when it becomes necessary.

The operation of the Pow'r Up electric lift is obvious and intuitive. Pressing the hand pendant switch forward extends the actuator, raising the seat, and pressing the switch rearward retracts the actuator, lowering the seat.

⚠ **Caution:** The Bantam Medium Pow'r Up Option is not designed for continuous use. Duty Cycle 5% Max, 1 min. / 19 min.

⚠ **WARNING:** Always remove the battery from the equipment if this equipment not likely to be used for some time.

Raising the Lift - Press the switch forward on the hand control to lift the seat.

Lowering the Lift - Press the switch backward on the hand control to lower the seat.

Stopping the Lift - Release the switch to stop the unit from going up or down

The hand control is a Type BF applied part.



⚠ **Caution:** Ensure the cables are attached properly per the instructions for use. Do not allow the cables to drag on the floor or to catch on objects. A pouch is installed at the rear frame to store the power cord when not in use.

This is an internally powered device. Max. output voltage: 24V DC, 2.9/5A.

IEC 60601-1 certified external power supply with input rated 100-240 Vac. is used for charging the battery. The EasyStand Bantam Medium is designed to comply to IEC 60601-1-2:2014. This equipment generates, uses, and can radiate radio frequency energy and, if not installed and used in accordance with instructions, may cause harmful interference to other devices in the vicinity. However, there is no guarantee that interference will not occur in a particular installation. Harmful interference to other devices can be determined by turning this equipment on and off. Try to correct the interference using one or more of the following:

- Reorient or relocate the receiving device
- Increase the separation between the equipment
- Connect the equipment to an outlet on a different circuit from that to which the other device(s) are connected

The service life of the battery depends on many factors. For longest service life, keep the battery charged. The system is recommended to be continually connected to mains in a state of float charge. The battery will begin to deplete when left disconnected from mains. The single factor most determinate to battery life is the number of complete discharge/recharge cycles. If the battery is fully depleted before recharging, performance is expected to severely degrade after only approximately 200 cycles. Your battery service life will vary according to your specific usage. If the battery is left in storage for greater than 6 months without charging, it may be damaged and no longer capable of holding a functional charge.

Consult Altimate Medical Customer Service Department or your medical equipment dealer for assistance.

System Information

- Input voltage is 29~45 V DC
- Maximum output voltage is 24V DV, 2.9/5A

Battery Information

- Valve regulated rechargeable battery
- Cycle use: 14.5~14.9V
- Standby use: 13.6~13.8V
- Initial current: less than 1.25A

Battery Replacement

If the battery has reached end of life or has become damaged, lost, or its performance has deteriorated, please contact Altimate Medical Customer Service or your medical equipment dealer for information about purchasing a replacement control box.

Please contact a local recycling authority for information about disposing of the old batteries.

⚠ WARNING: Battery replacement must be performed by authorized service personnel. Improper battery replacement may be hazardous. See Battery Information section on page 31.

IP Rating

The IP rating is a classification system indicating the protection degree from dust, water and impact for electrical equipment and enclosures. Pow'r Up Lift components, except for the hand control pendant, are rated at IP66. The hand control pendant is not rated and should not be exposed to dirty environments or contact with liquids. A lightly damp cloth or cleaning wipe may be used for cleaning and sanitation purposes.

The definition for IP66 is as follows:

First character definition: 6 - Protected against solid to a "dust tight" level.

Second character definition: 6 - Protected against water projected in powerful jets (12.5mm nozzle) against the enclosure from any direction shall have no harmful effects. NOT rated for immersion.

Electromagnetic compatibility

Pow'r Up Option components have been designed and tested to meet the applicable EMC requirements. It is unlikely that you will encounter problems with your EasyStand due to inadequate electromagnetic compatibility. However, if you notice any unusual (such as intermittent) behavior of your Pow'r Up option and the EasyStand is being used next to possible interfering equipment such as mobile phones, microwaves, or radio broadcast masts, this could be an indication of electromagnetic interference. If such behavior occurs, use the mechanical release to lower the unit to the seated position and move the EasyStand away from the interfering equipment. Please report any instance of possible electromagnetic interference to AMI's Customer Service Department.



WARNING: Use of accessories, transducers and cables other than those specified or provided by the manufacturer of this equipment could result in increased electromagnetic emissions or decreased electromagnetic immunity of this equipment and result in improper operation.

Activating the Mechanical Emergency Release

⚠ CAUTION: Using the emergency mechanical release as the primary means of returning to the seated position can cause damage to the unit. Only use the mechanical release in emergency situations.

All Altimate Medical electric lift products are equipped with a mechanical release to be used in emergency situations.

FIG. 1-The release allows the user to be lowered to a seated position in the unlikely occurrence of the battery losing charge while the user is in a standing position. The actuator only retracts if the release is pulled and there is weight on the seat. The release is located on the left side of the seat and is signified by a red tag with the word "EMERGENCY."

1. To activate the emergency mechanical release pull out the quick release pin located underneath the seat.

2. Squeeze the handle and if necessary, push down on the handle.

FIG. 1



Guidance and Manufacturer's Declaration - Electromagnetic Emissions

Altimate Medical Standing Products are intended for use in the electromagnetic environment specified below. The customer or the user of Altimate Medical Standing Products should assure that it is used in such an environment.		
Emissions Test	Compliance	Electromagnetic Environment - Guidance
RF emissions CISPR 11	Group 1	Altimate Medical Standing Products uses RF energy only for its internal function. Therefore, its RF emissions are very low and are not likely to cause any interference in nearby electronic equipment.
<i>RF emissions CISPR 11</i>	Class B	Altimate Medical Standing Products is suitable for use in all establishments, including domestic establishments and those directly connected to the public low-voltage power supply network that supplies buildings used for domestic purposes.
Harmonic emissions IEC 61000-3-2	Class A	
Voltage fluctuations/ Flicker emissions IEC 61000-3-3	Complies	

Guidance and Manufacturer's Declaration - Electromagnetic Immunity


Altimate Medical Standing Products are intended for use in the electromagnetic environment specified below. The customer or the user of Altimate Medical Standing Products should assure that it is used in such an environment.			
Immunity Test	IEC 60601 Test Level	Compliance Level	Electromagnetic Environment - Guidance
Electrostatic Discharge (ESD) IEC 61000-4-2	Zing Size 2, Bantam Extra Small, Bantam Small, Evolv Product Line and Glider Product Line ± 8 kV contact ± 2 kV, ± 4 kV, ± 8 kV, ± 15 kV air Bantam Medium ± 8 kV contact ± 15 kV air	Zing Size 2, Bantam Extra Small, Bantam Small, Evolv Product Line and Glider Product Line ± 8 kV contact ± 2 kV, ± 4 kV, ± 8 kV, ± 15 kV air Bantam Medium ± 8 kV contact ± 15 kV air	Floors should be wood, concrete, or ceramic tile. If floors are covered with synthetic material, the relative humidity should be at least 30 %.
Electrical Fast Transient/Burst IEC 61000-4-4	± 2 kV for power supply lines ± 1 kV for input/output lines	± 2 kV for power supply lines ± 1 kV for input/output lines	Mains power quality should be that of a typical commercial or hospital environment.
Surge IEC 61000-4-5	± 1 kV line(s) to line(s) ± 2 kV line(s) to earth	± 1 kV line(s) to line(s) ± 2 kV line(s) to earth	Mains power quality should be that of a typical commercial or hospital environment.
Voltage dips, short interruptions and voltage variations on power supply input lines IEC 61000-4-11	Zing Size 2, Bantam Extra Small, Bantam Small, Evolv Product Line and Glider Product Line 0 % UT; 0,5 cycle At 0°, 45°, 90°, 135°, 180°, 225°, 270° and 315° 0 % UT; 1 cycle 70 % UT; 25 and 30 cycles 0 % UT; 250 and 300 cycles Bantam Medium <5 % U_T (>95 % dip in U_T) for 0,5 cycle 40 % U_T (60 % dip in U_T) for 5 cycles 70 % U_T (30 % dip in U_T) for 25 cycles <5 % U_T (>95 % dip in U_T) for 5 s	Zing Size 2, Bantam Extra Small, Bantam Small, Evolv Product Line and Glider Product Line 0 % UT; 0,5 cycle At 0°, 45°, 90°, 135°, 180°, 225°, 270° and 315° 0 % UT; 1 cycle 70 % UT; 25 and 30 cycles 0 % UT; 250 and 300 cycles Bantam Medium <5 % U_T (>95 % dip in U_T) for 0,5 cycle 40 % U_T (60 % dip in U_T) for 5 cycles 70 % U_T (30 % dip in U_T) for 25 cycles <5 % U_T (>95 % dip in U_T) for 5 s	Mains power quality should be that of a typical commercial or hospital environment. If the user of Altimate Medical Standing Products requires continued operation during power mains interruptions, it is recommended that Altimate Medical Standing Products be powered from an uninterruptible power supply or a battery.
Power frequency (50/60 Hz) magnetic field IEC 61000-4-8	Zing Size 2, Bantam Extra Small/Small, Evolv's, and Glider's 30 A/m 50 Hz and 60 Hz Bantam Medium 30 A/m	Zing Size 2, Bantam Extra Small/Small, Evolv's, and Glider's 30 A/m 50 Hz or 60 Hz Bantam Medium 30 A/m	Power frequency magnetic fields should be at levels characteristic of a typical location in a typical commercial or hospital environment.

NOTE: U_T is the a.c. mains voltage prior to application of the test level.

Guidance and Manufacturer's Declaration - Electromagnetic Immunity

Altimate Medical Standing Products are intended for use in the electromagnetic environment specified below. The customer or the user of Altimate Medical Standing Products should assure that it is used in such an environment.

WARNING: Portable and mobile RF communications equipment (including peripherals such as antenna cables and external antennas) should be used no closer than 30 cm (12 inches) to any part of the standing equipment including cables specified by the manufacturer. Otherwise, degradation of the performance of this equipment could result.

Immunity Test	IEC 60601 Test Level	Compliance Level	Electromagnetic Environment - Guidance
Conducted RF IEC 61000-4-6	Zing Size 2. Bantam Extra Small, Bantam Small, Evolv Product Line and Glider Product Line 3 V 0,15 MHz – 80 MHz 6 V in the ISM and amateur radio bands between 0, 15 MHz and 80 MHz 80 % AM at 1 kHz Bantam Medium 6 Vrms 150 kHz to 80 MHz	Zing Size 2. Bantam Extra Small, Bantam Small, Evolv Product Line and Glider Product Line 3 V 0,15 MHz – 80 MHz 6 V in the ISM and amateur radio bands between 0, 15 MHz and 80 MHz 80 % AM at 1 kHz Bantam Medium 6 Vrms	Portable and mobile RF communications equipment should be used no closer to any part of the EasyStand Glider, including cables, than the recommended separation distance calculated from the equation applicable to the frequency of the transmitter. Recommended separation distance $d = 1.2 \sqrt{P}$ $d = 1.2 \sqrt{P}$ 80 MHz to 800 MHz $d = 2.3 \sqrt{P}$ 800 MHz to 2.5 GHz- Zing Size 2. Bantam Extra Small, Bantam Small, Evolv Product Line and Glider Product Line $d = 2.3 \sqrt{P}$ 800 MHz to 2.7 GHz- Bantam Medium
Radiated RF IEC 61000-4-3	Zing Size 2. Bantam Extra Small, Bantam Small, Evolv Product Line and Glider Product Line 10 V/m 80 MHz to 2.7 GHz Bantam Medium 3 V/m 80 MHz to 2.7 GHz	Zing Size 2. Bantam Extra Small, Bantam Small, Evolv Product Line and Glider Product Line 10 V/m 80 MHz to 2.7 GHz Bantam Medium 3 V/m	Where <i>P</i> is the maximum output power rating of the transmitter in watts (W) according to the transmitter manufacturer and <i>d</i> is the recommended separation distance in meters (m). Field strengths from fixed RF transmitters, as determined by an electromagnetic site survey ^a , should be less than the compliance level in each frequency range. ^b Interference may occur in the vicinity of equipment marked with the following symbol: 
The proximity fields met the minimum requirement of section 8.10 of IEC 60101-1-2			

NOTE 1: At 80 MHz and 800 MHz, the higher frequency range applies.

NOTE 2: These guidelines may not apply in all situations. Electromagnetic propagation is affected by absorption and reflection from structures, objects, and people.

^a Field strengths from fixed transmitters, such as base stations for radio (cellular/cordless) telephones and land mobile radios, amateur radio, AM and FM radio broadcast and TV broadcast cannot be predicted theoretically with accuracy. To assess the electromagnetic environment due to fixed RF transmitters, an electromagnetic site survey should be considered. If the measured field strength in the location in which the Altimate Medical Standing Products are used exceeds the applicable RF compliance level above, the Altimate Medical Standing Product should be observed to verify normal operation. If abnormal performance is observed, additional measures may be necessary, such as re-orienting or relocating the Altimate Medical Standing Product.

^b Over the frequency range 150 kHz to 80 MHz, field strengths should be less than 3 V/m.

Recommended separation distances between portable and mobile RF communications equipment and Altimate Medical Standing Products

Altimate Medical Standing Products are intended for use in an electromagnetic environment in which radiated RF disturbances are controlled. The customer or the user of the Altimate Medical Standing Product can help prevent electromagnetic interference by maintaining a minimum distance between portable and mobile RF communications equipment (transmitters) and Altimate Medical Standing Products as recommended below, according to the maximum output power of the communications equipment.

Rated maximum output power of transmitter W	Separation distance according to frequency of transmitter m		
	150 kHz to 80 MHz $d = 1.2 \sqrt{P}$	80 MHz to 800 MHz $d = 1.2 \sqrt{P}$	800 MHz to 2.5 GHz $d = 2.3 \sqrt{P}$
0.01	.12	.12	.23
0.1	.38	.38	.73
1	1.2	1.2	2.3
10	3.8	3.8	7.3
100	12	12	23

For transmitters rated at a maximum output power not listed above, the recommended separation distance *d* in meters (m) can be estimated using the equation applicable to the frequency of the transmitter, where *P* is the maximum output power rating of the transmitter in watts (W) according to the transmitter manufacturer.

NOTE 1: At 80 MHz and 800 MHz, the higher frequency range applies.

NOTE 2: These guidelines may not apply in all situations. Electromagnetic propagation is affected by absorption and reflection from structures, objects, and people.

Fit Guide-**Bantam Extra Small and Small**-Read all instructions thoroughly before beginning any adjustments.

Foot Plates

Measure the distance from the bottom of the foot to the bottom of the leg behind the knee. (A)

Before the child is in the stander, loosen the clamps (do not remove) on the foot plates and adjust to the height that was measured for the foot plate to seat height. (A) Tighten securely.

⚠ **Caution:** Do not adjust the seat depth while the child is in the unit.

⚠ **Caution:** Ensure the colors on the seat tube and following arm match.

Measure the distance from the back of knee to the back of the buttocks. (B)

Remove the Shadow Tray and bring the seat up to a slight angle. (B)

Use the following steps to adjust the seat depth. Use the measurement B from the front of the seat to the seat back. (B)

1. Loosen the knobs on the seat tube and the following arm. Do not unscrew knobs out all the way when adjusting the seat. (C)

The **Bantam Extra Small** following arm (back angle) adjustments are located above the locking knob. The back angle adjustments go from green (largest) to blue (smallest). (C)

The **Bantam Small** following arm (back angle) adjustments are located below the locking knob. The back angle adjustments go from blue (smallest) to green (largest). (C)

2. **Adjusting to a shorter setting:** Adjust the following arm (back angle) first by depressing the spring button and moving no more than two holes at a time towards the blue setting. (F)

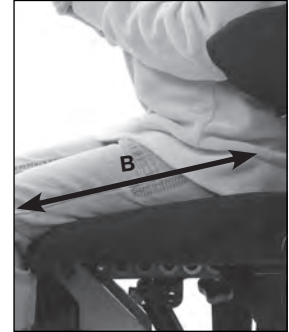
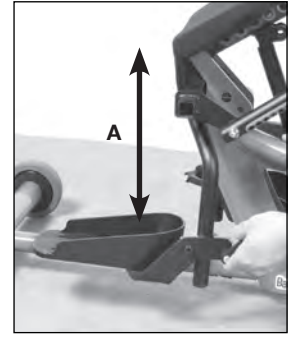
3. Adjust the seat tube (seat depth) one hole at a time. Continue this sequence until you achieve the desired setting and the colors on the seat tube and following arm match, towards the blue setting. (D)

4. **Adjusting to a longer setting:** Adjust the seat tube (seat depth) first by depressing the spring button and moving only one hole at a time. (D)

5. Adjust the following arm (back angle) no more than two holes at a time. Continue this sequence until you achieve the desired setting and the colors on the seat tube and following arm match. (E)

Note: For easier adjustment you may need to lift the seat slightly as the seat depth adjustment is made.

Tighten the seat depth and following arm knobs securely when you have achieved the desired position.

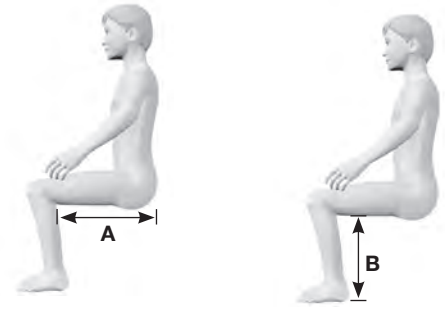


Inspect your standing frame periodically to ensure it is in safe operating condition

Fit Guide-Bantam Medium-*Read all instructions thoroughly before beginning any adjustments.*

Measure

Before transferring into the Bantam medium, measure for approximate seat depth. Measure from the back of the knee to the back (A). Measure the seat to foot plate settings by measuring from the bottom of the leg behind the knee, to the bottom of the heel (B).



If the supine option was ordered, make sure the controller is in the “Sit-to-Stand” position prior to adjusting seat depth (C). The seat should be lowered to a seated position for easiest adjustment.

Seat Depth

Use the measurement (A) to adjust the seat depth on the stander, measure from the front of the seat to the back.

To adjust the seat depth, loosen the knob under the seat (D). With one hand supporting the back (if equipped) depress the spring button on the outer left side of the seat tube underneath the seat (E). Using the back as a lever, move the seat depth to the desired setting, noting the color. Tighten knob securely (D).

Be sure to have one hand supporting the back assembly (F). Loosen the knob on the following arm (G). With one hand supporting the back assembly flip the gray plunger lever in the center of the knob fully open (H). Then continue to loosen the knob until resistance is felt. DO NOT continue to turn the knob counterclockwise. Forcing the knob past its stop will damage the mechanism.

⚠ Caution: Make sure to have one hand supporting the back assembly, flipping the gray plunger lever will cause the back assembly to move freely.

Using the back as a lever, adjust the following arm so that the color of the seat depth decal matches the color on the following arm in the indicator window. Release to close the gray plunger lever to re-engage the locking plunger in the clamp knob. You may need to partially tighten the knob and slightly move the back assembly to allow the locking pin to engage the “home” position. Tighten the knob securely.

Back Angle

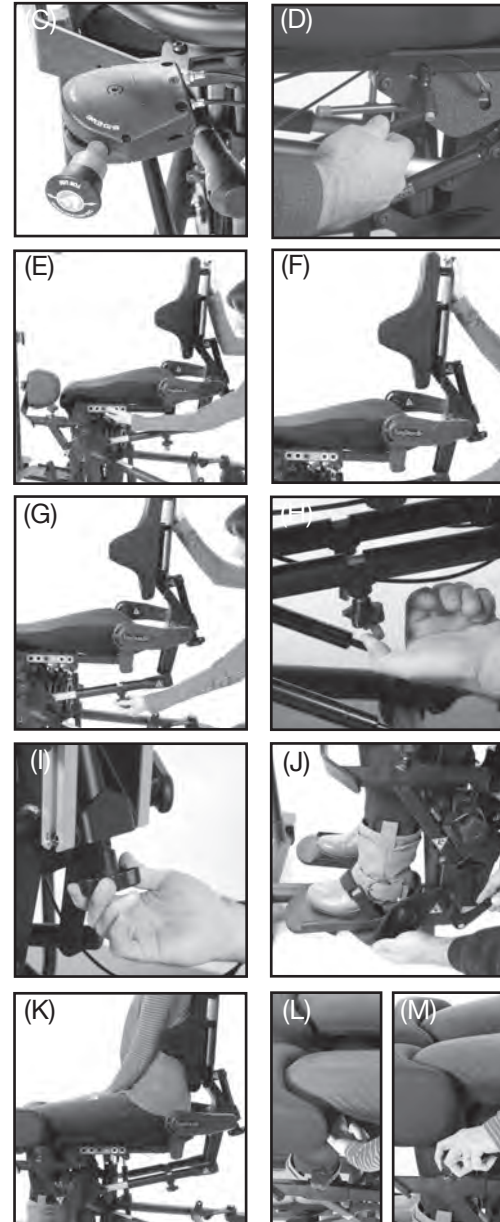
After achieving the desired seat depth, rotate the back angle adjustment knob (I) so the seat/back is in the desired angle.

Foot Plates

Use the (B) measurement to adjust the foot plate height. Loosen the ratchet handles (J) on the foot plates to adjust height and plantar/dorsi. Tighten ratchet handles after positioning. The knees should be slightly lower than the hip with the legs resting on the seat.

Knee Pads

Position the user’s hips as close as possible to stander’s hip pivot (K). Position the knee pads over the knees, not leaving more than a finger space between the back of the knee and the seat (L). Tighten knees securely (M).



Inspect your standing frame periodically to ensure it is in safe operating condition

Fit Guide-Evolv Medium, Large and XT - Glider Medium and Large

Read all instructions thoroughly before beginning any adjustments.

Measure

1. Before transferring into the Evolv, measure for approximate (A) seat depth and seat to (B) foot plate settings.

⚠ Caution: These adjustments are only to be made while the unit is unoccupied.

Seat Depth

2. Use the above measurement (A) to adjust the seat depth on the stander, measure from the front of the seat to the back. To adjust the seat depth, loosen the knob under the seat (C). Depress the snap button on the adjustment tube while moving the back (D). Adjust the seat depth until the proper measurement has been reached. Tighten the knob (C) after adjusting.

⚠ Caution: The following adjustments are only to be made in the seated position.

Back Angle

3. After achieving the desired seat depth, rotate the back angle (E) adjustment knob so the (F) seat/back angle indicator is in the green area prior to standing.

Note: Repeat steps 2 and 3 for each color adjustment.

Foot Plates-Evolv

4. Use the (B) measurement to adjust the foot plate height. Loosen the (G) ratchet handles on the foot plates to adjust height and plantar/dorsi. Tighten ratchet handles after positioning. The knees should be slightly lower than the hip (H).

Foot Plates-Glider

5. Use the (B) measurement to adjust the foot plate height. Loosen the (G) knobs on the foot plates to adjust height. Tighten the knobs after positioning. The knees should be slightly lower than the hip (H).

Positioning

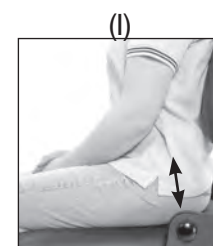
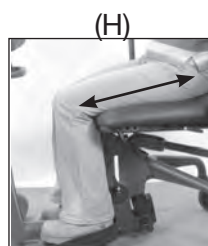
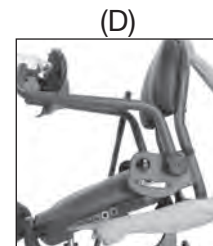
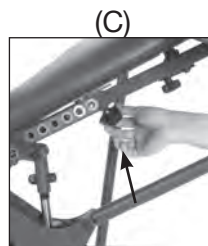
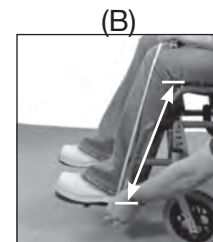
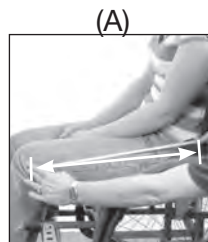
5. Position the user's hips as close as possible to (I) Evolv's hip pivot. To determine correct positioning on the Evolv, only two fingers should fit between the front of the seat and the back of the knee (J).

Knee Pad-Evolv

6. Adjust the (K) knee pad so it fits comfortably up to the knees.

Knee Pad-Glider

6. Slide into knee pads (J) and secure the calf straps behind the knees.

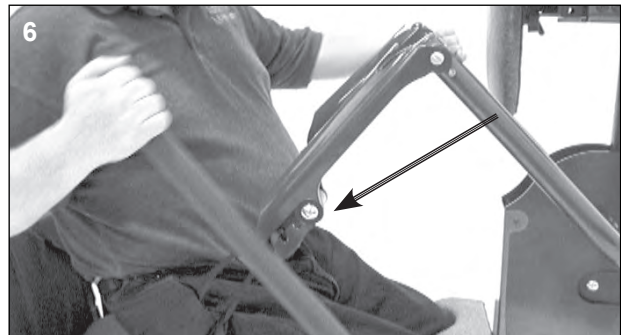


Inspect your standing frame periodically to ensure it is in safe operating condition

Fit Guide-StrapStand-*Read all instructions thoroughly before beginning any adjustments.*

1. To use the StrapStand, position the wheelchair as close as possible to the knee pad. Casters on the StrapStand should be locked.
2. Position feet in the foot plates. Adjust knee pad height so knees are centered in the knee pad. With the wheelchair locked, slide forward on the seat so that the knees make contact with the knee pad.
3. Hook the strap to one of the lifting arms and bring the other side around the body. Then hook the strap to the other lifting arm.
4. After attaching the strap to the lifting arms, adjust the hook position. The strap can be adjusted to accommodate different size individuals. This will vary depending on the strap size and the girth of the individual.
5. Adjust the placement of the strap under the buttocks so that the top edge of the strap is slightly under the belt line. Slide it into place as shown.
6. Partially lift the user by pumping the actuator handle towards the user to tension the strap. At this time and if necessary, reposition the strap. Continue until the user is in the standing position. The user's wheelchair should remain in position and available so the user can return to the seated position.

⚠ **Caution:** Never adjust the strap while in the standing position.



Fit Guide-Zing Size 1 and Zing Size 2

Read all instructions thoroughly before beginning any adjustments.

Centering the Hip (A):

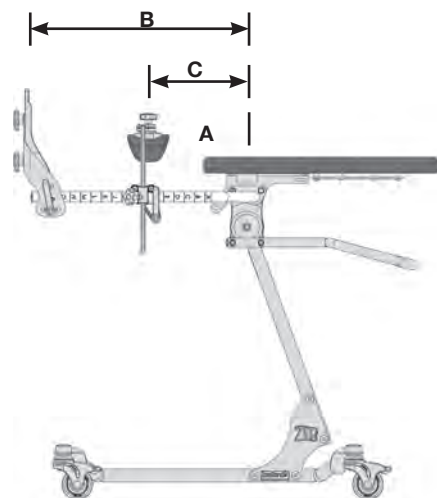
The user's hip should be centered in line with the pivot point of the stander ensuring proper hip alignment when using abduction, adjust support components up or down based hip position.

Foot Plate Height (B):

Measure the distance from the hip of the user to the bottom of the foot.

Knee Pad Height (C):

Measure the distance from the hip of the user to center of the knee.



Maintenance

This section applies to all persons that may have interaction with the equipment including attendants, caregivers, and service personnel.

It is necessary to inspect your Altimate Medical Standing Product at least weekly to ensure it is in safe operating condition. Altimate Medical Standing Product adjustments that are listed in the product Instruction For Use manual can be made by the operator by following the instructions for use. After an adjustment is made, inspect the Altimate Medical Standing Product to ensure all hardware and adjustable components are properly secured per the instructions for use. Replacement of worn parts, major adjustments, or any other important corrections should be handled by an authorized supplier or service center. Only Altimate Medical, Inc., approved replacement parts should be used to ensure safety and performance.

- Check the Altimate Medical Standing Products at least weekly to ensure all nuts, bolts and adjustable parts are tightened securely, failure to do so may result in parts falling off which may cause a choking hazard for children.

Cleaning/Sanitizing

- Only routine cleaning, no other maintenance is required by the patient.
- Keep the unit clean and protect it from lint, dust and sunlight
- Clean the unit with a mild, non-abrasive disinfectant or soap and water.
- Do not use bleach or any other bleach-based cleaners on the EasyStand.
- Disinfecting wipes are safe to use on metal and non-porous surfaces.
- Use a damp sponge with mild soap or a mild, non-abrasive disinfectant.
- Spot clean Neoprene with mild soap and water.
- Neoprene covers may be removed and hand washed with water. Air dry the covers. Always use care when removing and replacing the covers.
- Do not dry clean any upholstery items.
- If the EasyStand is being used with one user, clean the unit on a monthly basis or as needed.
- If the EasyStand is being used in a multiple-user environment, the unit should be cleaned after each use.

Urethane Coated Fabrics (Dartex or generic equivalent)

- The recommended cleaning and disinfection instructions should be followed whenever possible to avoid damage to the PU membrane which could lead to premature failure of the cover.
- For superficial dirt, use a disposable wipe and a warm solution of neutral detergent. Do not use abrasive cleaners.
- Disinfect using a 0.1% sodium hypochlorite solution (1000ppm chlorine), stronger bleach solutions not recommended.
- Thoroughly rinse any remaining cleaning solution with water and dry fabric before re-use or storage.
- Do not iron.

Latex Information

- All components of equipment are not made with latex, not made with natural rubber latex and may be placed directly against the skin.

Hydraulic Actuator Maintenance

- An initial break-in period of approximately 50-100 full cycles is normal for the hydraulic unit. The very close fit of its mating parts gives each pump its own break-in “feel” and signature sound, signaled by a squeaking or a less-than-smooth stroke.
- If the pump is leaking oil or not holding properly contact your local EasyStand Supplier for a replacement.
- Do not exert excessive force on the pump handle or use the pump handle to move an Altimate Medical Standing Product. This may cause damage to the pump handle and/or the pump mechanism and will void any warranty.
- User maintenance is not required or recommended on the hydraulic pump. Never apply lubricant, household oil, grease, or a similar product to any part of the unit. Some compounds may react with the seals used in the manufacture of this product. This may damage the unit and will void any warranty.
- Do not exceed the rated weight limit.
- If the EasyStand was shipped and exposed to a temperature of less than 41°F (5°C), the hydraulic unit must warm to room temperature before use. Failure to follow this step could damage the unit and render it inoperable.
- Once the standing position is reached, the pump may settle back one stroke, this is normal.
- It is not always necessary to push the pump handle all the way back to lower the seat. Try pushing the handle back in different positions if it is difficult to lower the seat.
- If the unit is in the standing position and unoccupied, it is necessary to apply pressure to the seat of the unit while pushing the pump handle back.

Purging The Hydraulic Actuator

The hydraulic pump on the EasyStand has a high probability of getting air trapped in the internal workings of the unit. This is usually caused by in-transit handling and is quite normal. Please follow the simple steps below, as manual hydraulic systems may never operate properly unless the entrapped air is correctly purged. The unit must be at room temperature for this procedure.

1. Pump the handle until the full extension is reached.
2. Now continue pumping the handle slowly for an additional 10 strokes. This will properly purge the system.

Re-Use

- Before the product may be re-sold or re-used by another consumer the product shall be inspected, cleaned/disinfected by specialized medical equipment dealers. Any worn components or components that show signs of material degradation must be replaced. The medical equipment dealer will make the determination if the product is not suitable to be re-sold or re-used. Please note: the expected service life of a Altimate Medical standing products is considered 5 years under normal use conditions.
Note: This may vary based on frequency of use.

Serious Incidents

- If a serious incident were to occur in relation to your standing device please report this incident to Altimate Medical. If you are unable to report to Altimate Medical directly, you may report this to your medical equipment dealer who will then report the incident to Altimate Medical. Please also report the incident to the Competent Authority of the Member State in which you are located.

Troubleshooting

My lower leg length is too short for the stander.
Invert and swap the foot plates left to right.
Evolv Large: Replace large foot brackets with medium foot brackets.

One of the arms on my tray is shorter than the other, is this correct?
Yes, it is designed so you can line up the longer arm first, then the shorter arm.

We just received our Bantam and on the tray there is a quick pin to secure the tray in place, but there are two bolts attached on both sides. Am I suppose to use the bolts to secure the tray in place?
The bolts and nuts are used as a tray depth guide. You can move them to any one of the holes on the tray adjustment arm depending on the person using the unit. To use, remove from the tray, position the tray with the correct depth and then reinstall in the hole closest to the tray top. This will stop the arms at the correct depth so it is easier and quicker when attaching the tray. To secure the tray, there are two quick pins attached to cables on both sides of the unit. Check both sides to make sure both are there. Sometimes, in shipping, they will move around, so at first glance only one side is visible.

My EasyStand will not go into the full standing position:
As of June 2011 the EasyStand (manual hydraulic pump only) is equipped with a safety feature to prevent over travel of the lifting/following arm mechanism in the event the back angle is improperly adjusted to exceed the recommended angle. The unit will not reach full standing unless the back angle is adjusted within the green range at the seated position. Refer to page 41 for proper instructions.

My EasyStand will not release properly from the standing to the seated position:
• Try pushing the handle back into different positions; do not push the pump handle back hard into one position.
• Weight on the seat is needed for the unit to descend properly; if the unit is unoccupied or the user is leaning forward and not enough weight is distributed on the seat, apply pressure by hand to the back of the seat while pushing back on the pump handle.
• Ensure the back angle is adjusted properly, if the back angle is too far forward or back the unit may not descend properly. Adjust the back angle toward 90 degrees so it will release properly.

My hydraulic does not work smoothly, it is not leaking oil but acting inconsistent:
With the unit unoccupied, pump it all the way to standing. Once the seat is in the standing position, pump 12 to 15 additional strokes to bleed any air out and circulate fluid. Pull back on the pump handle to return the seat to a seated position, one may apply pressure with a hand to the back of the seat while pushing back on the pump handle. In most cases purging the hydraulic pump will eliminate inconsistent operation.

My Evolv seat won't go all the way down to the seated position:
Look closely at the four main frame bolts that attach the front end to back end. Most commonly the kidney shaped pump mount brackets are not secured correctly. They are positioned above the frame bolts with an exposed hole where the bolts should go through. This angles/raises the pump and won't allow the unit to go to the complete seated position. Remove main bolts and make sure they go through both the front frame, the back frame and the pump mount brackets.

Evolv Pow'r Up Lift:
Make sure the cords are fully seated in the battery box. The grommet ring on the cords make it a very tight fit. Unplug the cords and plug them back in, pushing hard.

Evolv with Swing-Away:
Remove quick pin and simply lift the collar on the opposite side past the frame and swing out.

Shadow Tray is not level:
If Shadow Tray is leaning forward or back, adjust the back angle. If the tray is leaning from right to left, adjust the set screw on the support arm to level the support arm.

How to use the rotating seat:
Push up on the lever under the seat and rotate the seat right or left 90° or until it locks into position. Transfer to seat and push up on the lever to unlock and rotate to a forward position.

How can I tell if I have an Evolv Medium or Large/XT:
Measure the seat. Front to Back: XT/Large is 22"; Medium is 18"

How do I order parts:
Contact a local medical equipment dealer and have the serial number ready. If the local medical equipment dealer is unknown, call Altimate Medical Customer Service, (800) 342-8968, and have the serial number ready.

Limited Warranty

This warranty is extended only to the original purchaser/customer (or supplier non consumer who does not buy or resell). Altimate Medical, Inc., warrants the EasyStand and Zing products against defects in materials and workmanship as listed below.

- Steel Frames - 5 year warranty
- Hydraulic Actuator - 2 year warranty
- Gas Spring - 2 year warranty
- Upholstered components, plastic pads, rubber parts, painted surfaces, bearings and other parts not specifically identified above - 90 day warranty

Warranty on Electric lift option components is as follows:

- Actuator & Hand Pendant – 2 year warranty
- Control Box & Battery – 90 days
- Battery Charger – 90 days

The warranty period commences on the original ship date from Altimate Medical. Any product proven to Altimate Medical satisfaction to be defective and within warranty period, shall be repaired or replaced at Altimate Medical's option.

ALTIMATE MEDICAL SOLE OBLIGATION AND YOUR EXCLUSIVE REMEDY UNDER THIS WARRANTY SHALL BE LIMITED TO SUCH REPAIR AND/OR REPLACEMENT. This warranty does not include any labor charges incurred in replacement parts installation. Freight charges to factory are at the expense of consumer to seller. Return freight charges will be prepaid by Altimate Medical. For warranty service, please contact the authorized supplier from whom you purchased your Altimate Medical product. In the event you do not receive satisfactory warranty service, please write directly to Altimate Medical at the address below. Do not return products to our factory without prior authorization.

LIMITATIONS AND EXCLUSIONS: The foregoing warranty shall not apply to serial numbered products if the serial number has been removed or defaced. Products subject to negligence, abuse, misuse, improper operation, improper maintenance, improper storage, or damages beyond Altimate Medical's control are not covered by this warranty, and that evaluation will be solely determined by Altimate Medical. Products modified without Altimate Medical's express written consent (including, but not limited to, modification through the use of unauthorized parts or attachments) are not covered by this warranty. The warranty shall not apply to problems arising from normal wear or failure to follow instructions. The warranty will be void if parts not manufactured by Altimate Medical or parts not complying with original equipment specifications are added to an Altimate Medical product.

THE FOREGOING WARRANTY IS EXCLUSIVE AND IN LIEU OF ALL OTHER EXPRESS WARRANTIES. ALTIMATE MEDICAL SHALL NOT BE LIABLE FOR ANY CONSEQUENTIAL OR INCIDENTAL DAMAGES WHATSOEVER.

Altimate Medical maintains a policy of continual product improvement and reserves the right to change features, specifications, and prices without prior notification. Check with Altimate Medical for latest information.

Environmental Issues

After life of the product:

- Recycle in accordance with the recycling codes of your country.
- Recycle all metal parts.
- Plastic parts should be disposed of or recycled according to the directive in your country.
- Please inquire at your local disposal management and recycling center for local codes.
- Return hydraulic actuator or damping cylinder (Pow'r Up only) to Altimate Medical, Inc.

AltimateMedical

262 West 1st St.
Morton, MN 56270 USA
Toll Free: +1-800.342.8968 or +1-507.697.6393
Fax Free: 877.342.8968 or 507.697.6900
email: info@easystand.com
easystand.com



Medical Product Service GmbH
Borngasse 20
35619 Braunfels
Deutschland



MPS Medical Product Service UK Ltd
Northgate House
Northgate Street
Devizes
Wiltshire England SN10 1JX



MPS Medical Product Service Switzerland, CO/Accumed Sagl
Morbio Inferiore
Viale Serfontana 10
CH-6834 Switzerland

Zing

EasyStand  
standing made easy



Standing technology should only be used under the guidance of a physician with recommendations for standing program protocol and any medical precautions. Standing programs should be monitored by the attending therapist. Altimate Medical maintains a policy of continual product improvement and reserves the right to change features, specifications, and prices without prior notification. Check with Altimate Medical for latest information.
FORM IFUMAN 032224 REV B Copyright © 2024 Altimate Medical, Inc. All rights reserved. Printed in the U.S.A.