

Basket Orderform

User Information	
Username	
Adress	
Zip-code & City	
Phone	
E-Mail	
Weight	kg
Height	cm
Offer Only	Order
Newsletter	
Payment Details	
Your PO Number	
Invoice Recipient	
Phone	
E-Mail	
Contact	
Name and Address	
Phone	
E-Mail	
Shipping Information	
Consultant	
User	
Dealer	
Other Adress:	
Consultant	Date



Sports wheelchair for Basketball

Standard Equipment

- Taylormade sport wheelchair
- Fully welded or adjustable versions available
- Made of 7020 T6 aluminium
- Adjustable seat and back upholstery
- Impact-resistant anodised frame
- Drive wheels with quick-release axles

Taylor-made wheelchair

Remarks

REMARKS

this combination/option is available

- this combination/option is **not** available

! this information is mandatory and must always be filled in

If no price is mentioned in the left column, the option is included in the price mentioned at the front page

For options or solutions not mentioned in this orderform contact 49 Bespoke Inc.

DECAL: User's name or other message on the frame

! Model (mandatory)

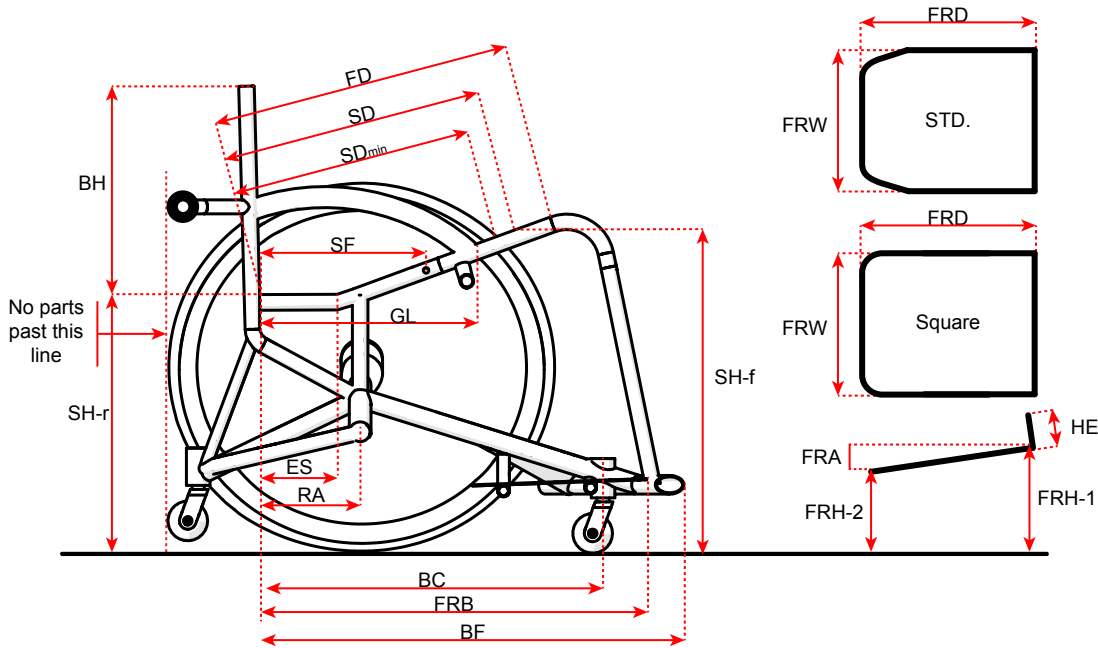
Basket		Welded according to individual order
Basket A		Adjustable rear axle and antitipper

! Colour (mandatory)

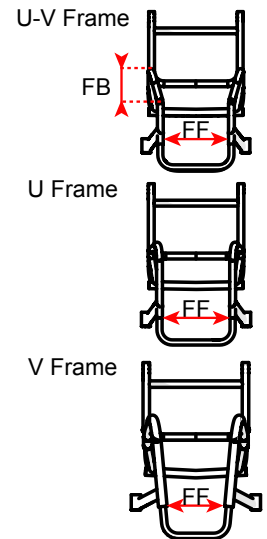
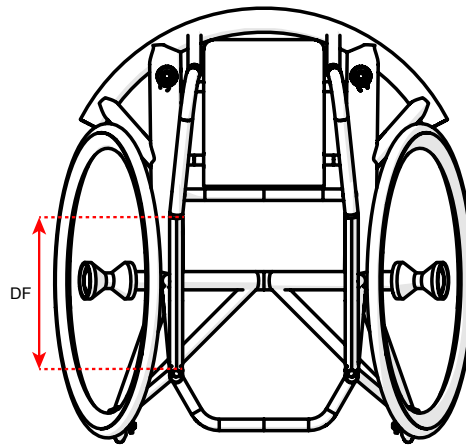
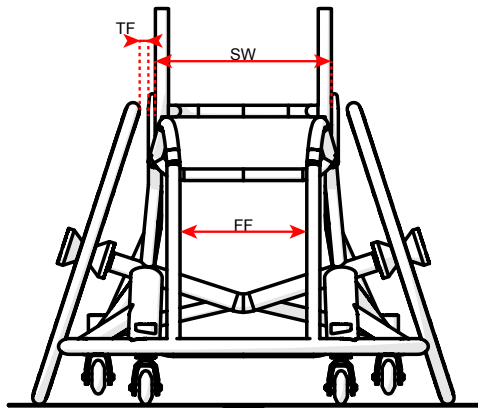
6190 0000 2109	White	6190 0000 2609	Orange
6190 0000 2209	Green	6190 0000 2709	Blue
6190 0000 2409	Red	6190 0000 2809	Matt black
6190 0000 2509	Shiny black	6190 0000 3109	Grey fine structure
6190 0000 3009	Custom colour	! Colour code	_____
6190 0000 0009	Raw aluminium		

Custom made from drawing/notes (page 9)

	Custom made idea/solutions from own drawing/notes (page 9)
0000 0000 1102	Drawing of frame

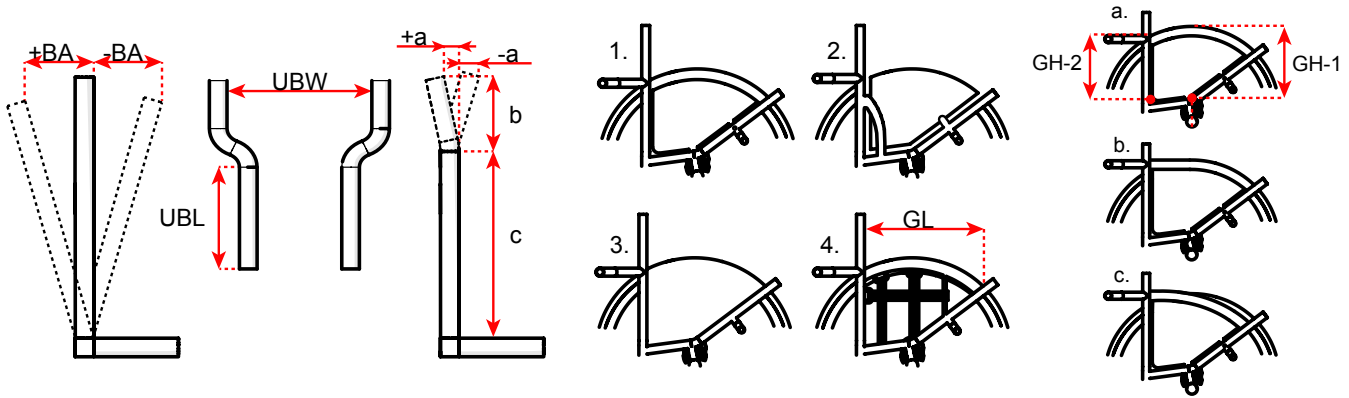


! Frame Data (mandatory)			
	!	SW: Seat width - Between sideguards (std. 36, 38, 40, 42 cm)	SW: _____ cm
		FD: Frame depth (std. 44 cm)	FD: _____ cm
	!	SD: Requested seat depth (Page 7) (std. 39-41 cm)	SD: _____ cm
		SD-min: Seat depth minimum (std. 39 cm)	SD-min: _____ cm
	!	SH-r: Seat height from the rear edge seat to the floor (std. 45 cm)	SH-r: _____ cm
	!	SH-f: Seat height from front of requested seat depth to the floor (std. 51 cm)	SH-f: _____ cm
	!	C: Camber angle rear axle 12° - 15° - 18° - 20° (std. 18°)	C: _____ °
	!	BH: Fixed back height (std. 32 cm)	BH: _____ cm
		TF: Distance between sideguards and top of rear wheel (std. 2,5 cm)	TF: _____ cm
6110 00?? ?001	!	RA: Fixed Rear axle (std. 16 cm)	1/2" Q-release (std) RA: _____ cm
6110 0000 0009		RA: Adjustable Rear axle (std. 8 -20 cm)	
6100 00?? 0009		ES: Ergonomically designed seat (default 12 cm)	ES: _____ cm
6100 0000 0009		Straight seat tubes	
6910 0001 0010		SF: Fixation holes for straps in seat tubes, dist from back (std. 32 cm)	SF: _____ cm
	!	FRB: From the front of backrest to the front of footrest	FRB: _____ cm
	!	BF: From the front of backrest to the front of footrest tube (std. 66 cm)	BF: _____ cm
Following measurements are optimized in production, and made to fit bumper and the front frame			
5000 0000 0034 Std. optimized in production /		BC: From backrest to the center of the casterhousing (std. BF - 8cm)	BC: _____ cm
		CW: Distance between the casters (std. FF + 11 cm)	CW: _____ cm



! Front Frame (mandatory)				
6120 00?? 0009	!	FF: U-V front frame	FF: _____ cm	
		FB: Length to the front bend of the front frame (default 15 cm)	FB: _____ cm	
6130 00?? 0009		FF: U front frame	FF: _____ cm	
		DF: Length of seat tube before bend inwards for U front frame (std 30 cm)	DF: _____ cm	
6140 00?? 0009		FF: V front frame, fixed welded footrest	FF: _____ cm	
8892 0001 0010		Easy shot bar		

! Footrest (mandatory)					
8892 0001 0080	!	FRH: Delivered height of the footrest	Front FRH-1: _____ cm	Rear FRH-2: _____ cm	
		FRH-min: Footrest height minimum(std. FRH-Geliefert)	Front FRH-1: _____ cm	Rear FRH-2: _____ cm	Only with screw on footrest
8299 9903 0050		Footrest fixated by welding			
8299 9901 0005		Footplate screwed on footrest w/ rivet nuts (std.)			
		Std. footplate shape	Square footplate shape		
8892 0001 0050		Distance fittings w. screws for increasing FRH, 3 sizes incl: 1, 2 and 3 cm.			_____ cm
8299 ???? 0001	!	FRA: Angle of the footrest - measured in cm, topside back to front			FRA: _____ cm
		FRD: Depth of the footrest			FRD: _____ cm
		FRW: Width of the footrest			FRW: _____ cm
8299 9901 2001		HE: Height of bent edge on the front of footplate (std. 3 cm)			HE: _____ cm
8299 9900 001?		HE: Foot tray, height of edge on front and sides (std. 3 cm)			3 edges 4 edges
8350 9921 0001	!	Rubber plated footplate (std. NO)	No Std.		
			Yes		



! Back System (mandatory)

8121 ???? 1009	Fixed back, welded	BA: Back angle	BA: _____ ±cm
----------------	--------------------	----------------	---------------

8122 0020 0002	Narrow back	NB: The wide back is not available in combination with the folding back	UBW: _____ cm	LBH: _____ cm
8122 0020 0001	Wide back		UBW: _____ cm	LBH: _____ cm

!	a: Bend on the back rest	Backwards (+) Forwards (-)	a: _____ ±cm
	b: Length of the upper, bent part of the back tubes		b: _____ cm
	c: Distance from the seat tube to the bend		c: _____ cm

6910 0001 0012 6910 0001 0011	Shape of the back brace	Default Standard	Rounded	
	!	BD: Depth of the back brace depth (default 12 cm)		BD: _____ cm
	!	TH: Distance from top of back brace to top of backrest tube (std. 12 cm)		TH: _____ cm
		Fixation point for upper body strap, 6 mm welded tubes in the backrest tube		
		Fixation holes for lower body straps, rear frame tubes (4 cm under seat)		

Sideguard attachment system (recommended choice)

6810 0001 0005	1. Fixed by welding (aluminium only) (std.)	GH-1: _____ cm	
8812 2402 0008	Aluminium sideguards with 1,5 cm rounding at seat surface (adds hip space)	GH-2: _____ cm	
6810 0001 0050	2. Fixed with screws on tabs (aluminium only)	GL: _____ cm	
6810 0001 0055	3. Aluminium sideguards on welded bushings	Only one GH is necessary / GL can vary up to +/-3cm with regard to the seat straps. /	
6810 0001 0006	4. Welded tube for straps attached with velcro		
!	Seitenteil-Form	a. (std.) b. c.	
7670 0000 00??	Thermal protection for sideguards (Standard option)	Left Right	3 mm (Std) 10 mm 20 mm

! Upholstery (mandatory)									
7100 ???? 1009	Extra wide back upholstery for deeper back	Chose between +1/+2/+3cm			_____ cm				
Important!	Seat upholstery depth (SD) is adjustable. SD can be made up to 10 cm longer than shortest possible position (SD-min).								
7100 9999 000?	Leather on upper corners of back upholstery (standard black)	Black	Red	White	Blue	Choose color			
7100 9999 100?	! Wolturnus Logo KeinLogo Intet Logo	Green	Red	White	Blue	Choose color			
7600 0001 00??	Frame protectors	Front tubes			Backrest tube (std)				
7600 9230 1010	Thigh straps								
7600 9250 1001	Feet straps								
7600 9940 1001	Hip straps for fixation by holes in rear frame tubes ('Choice of seat' section, page 4)								
7600 9999 1005	Upper body strap for fixation by holes in back tube ('Back system' section, page 4)								
760210000012 760210000015	PelviLoc Belt				M	L			
7500 0000 002?	Strapping Belt	XS 60 cm	S 70 cm	M 80 cm	L 90 cm	XL 100 cm	XXL 110 cm		
7500 ???? ???? 	Seat cushion	Height (std. 5 cm)			_____ mm		Width x depth BxD: ___ x ___ cm		
		Hard			Medium				
7250 ???? 1009	Hard seat made of Dibond, fastened with velcro, length adjustable +/-3 cm							<i>Replaces upholst.</i>	

Description
Drawing

Anti-tipper (standard)			
6911 0000 0001		Centermounted anti-tipper welded on	(Single wheel)
6911 0000 0005		Centermounted anti-tipper adjustable (Basket A ONLY)	(Single wheel)
6911 0000 0002		Pair of anti-tippers welded on for Basket wheel chair (fixed axle ONLY)	(Two wheels)

Other accessories					
		Extra wheel(s) as ordered below	1 Pair	1 pcs.	Standard option

Front and antitipper wheels (Castors)				NO		
				64 mm (2,5")	76 mm (3")	80 mm (3")
8600 1020 ????		Front- and antitipper wheels, Skater				

Rear wheels				NO			
				24"	25"	26"	28"
8513 2?20 1209		Crossed 36 spokes wheels (sporthub)					
8536 ??10 1009		Spinergy wheels 24 black spokes SL					
8536 ??18 1009		Spinergy wheels 18 black spokes SLX		-			-
8537 282? 3601		Wrex, crossed spokes					

Pushrims				NO			
Distance pieces	Long (4,3 cm)	Short (Std) (3,3 cm)	Super short	PT: _____cm (see below)			
				24"	25"	26"	28"
8550 2?10 3009		Steel pushrims std.					
8555 2?00 0009		Titan pushrims Ø 19					
8555 2800 0010		Titan pushrims Ø 19 with 12 tabs		-	-	-	
8554 ????		High friction pushrims					

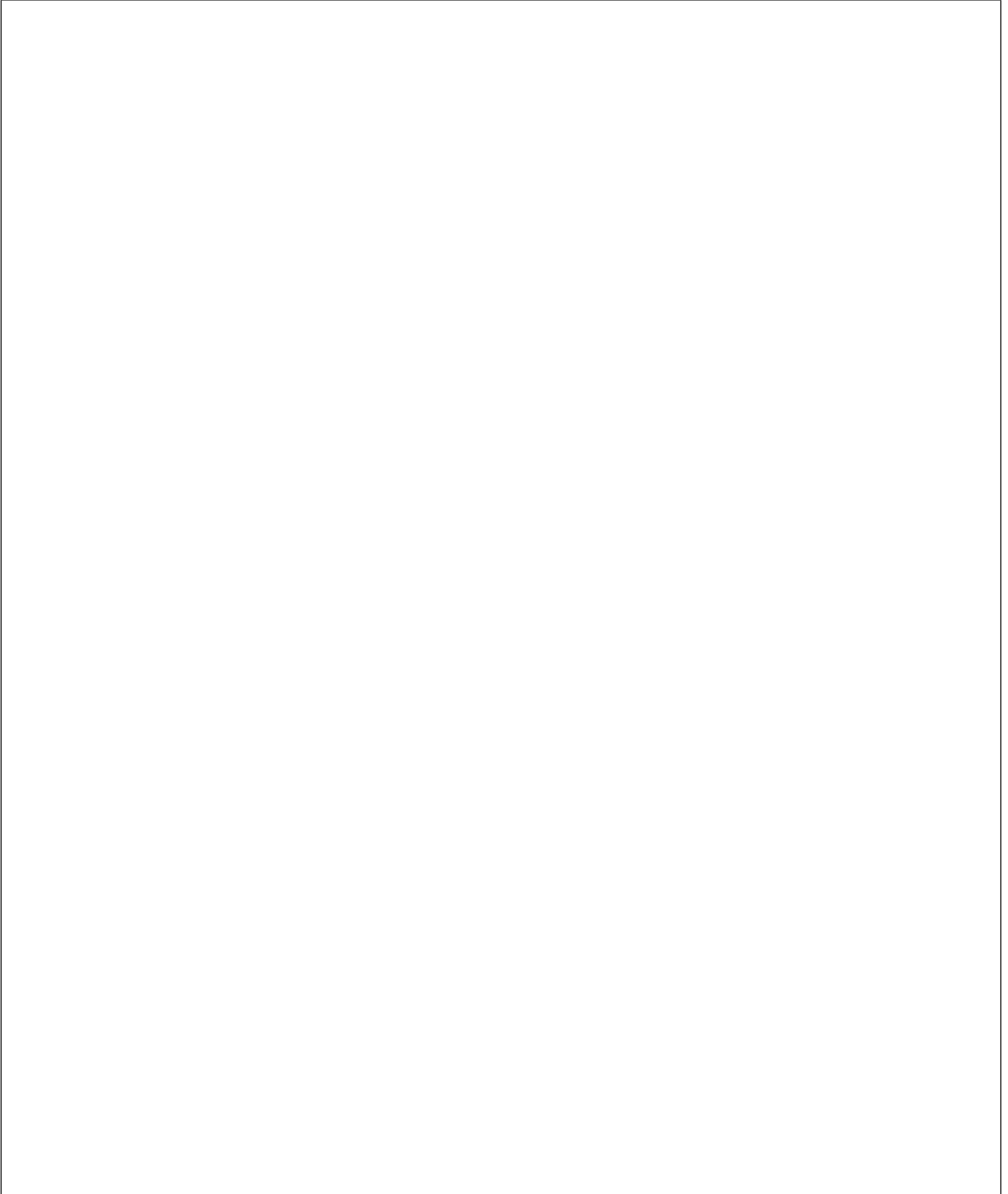
Spoke guards				NO			
				24"	25"	26"	28"
8571 ??10 2009		TRANSPARENT					

Tyres				NO			
		Number of pcs (if extra is wanted)		24"	25"	26"	28"
9662 ??01 00??		SpeedAir tyres 10 bar 20 mm (std.)					
9662 2501 0030		Tufo MS3 25x1 beige-beige		-			

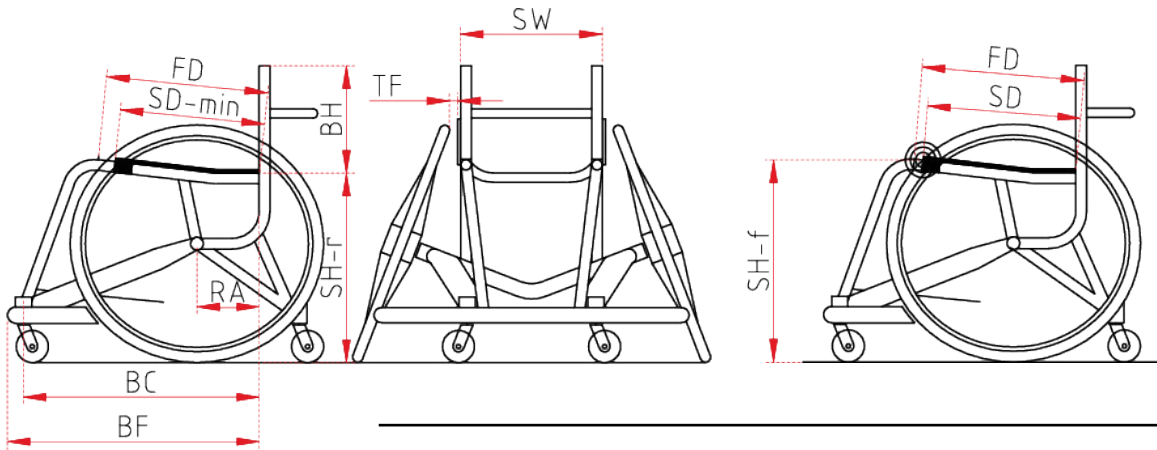
Custom made

Description

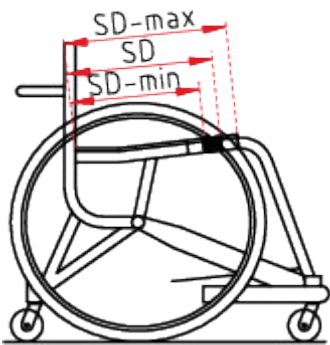
Drawing



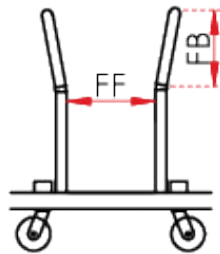
Frame data



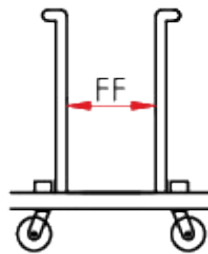
Front frame



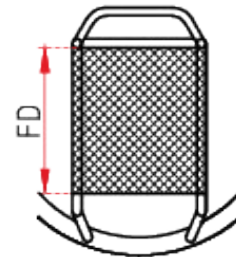
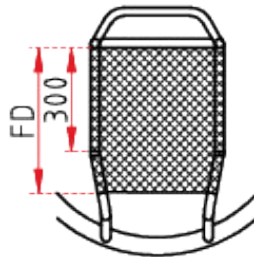
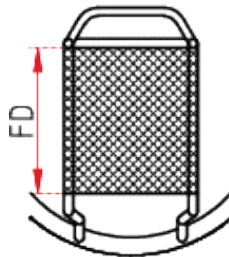
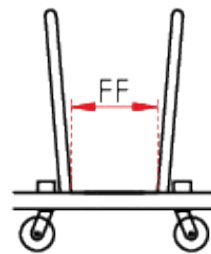
UV frame



U frame

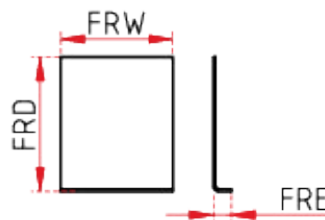


V frame

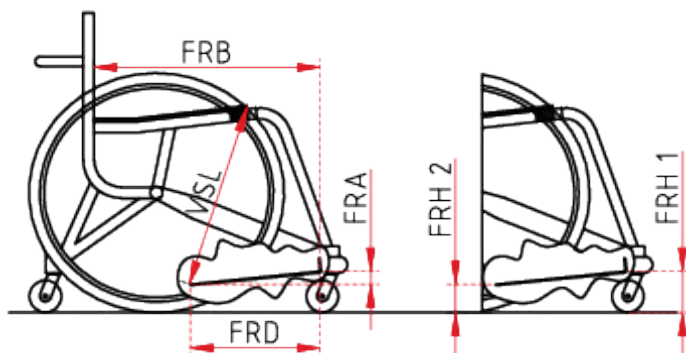
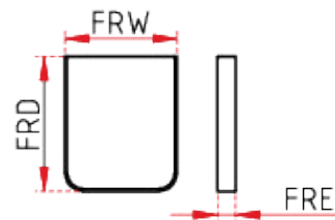


Footrest

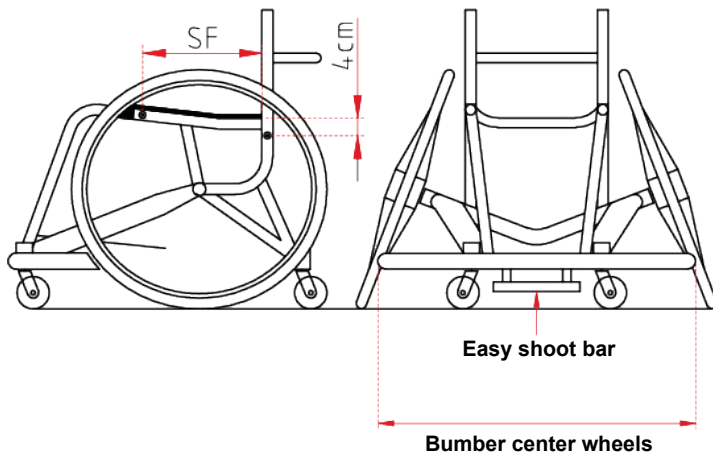
Foot plate (standard)



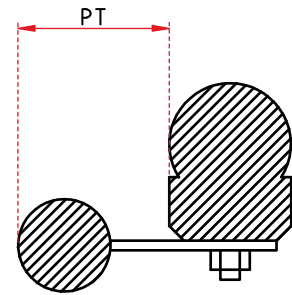
Foot tray



Fixed rear axle



Push rim



Adjustable rear axle

