

Tennis Wheelchair



Sport Wheelchair for Tennis

49 Bespoke Inc.
 137 Buttermill Avenue
 Concord, ON L4K 3X5, Canada
 Telephone: +1.416.661.4499
 Fax: +1.416.661.8903
 E-Mail: 49@49bespoke.com
 www.49bespoke.com

Orderform

| User information | |
|---|--------------------------------|
| User name | |
| Address | |
| Phone | |
| E-mail address | |
| Weight | _____ kg |
| Size | _____ cm |
| <input type="checkbox"/> Only offer | <input type="checkbox"/> Order |
| Payment details | |
| EAN nummer | |
| Your PO number | |
| Invoice recipient | |
| Phone | |
| E-mail address | |
| Contact person | |
| Name + address | |
| Phone | |
| E-mail address | |
| Shipping information | |
| <input type="checkbox"/> | Consultant |
| <input type="checkbox"/> | User |
| <input type="checkbox"/> Other address: | |
| Notes | |
| | |
| Consultant | Date |



Standard Equipment

- Taylormade sport wheelchair
- Fully welded or adjustable versions available
- Made of 7020 T6 aluminum
- Adjustable seat and back upholstery
- Impact-resistant anodised frame
- Drive wheels with quick-release axles

Taylor-made wheelchair

Remarks

REMARKS

- this combination/option is available
- this combination/option is **not** available
- ! this information is mandatory and must always be filled in

For options or solutions not mentioned in this orderform contact 49 Bespoke Inc.

DECAL: User's name or other message on the frame

! Model (mandatory)

| | | |
|----------------|--------------------------|--|
| 3110 3940 1109 | <input type="checkbox"/> | Welded with two front wheels - (see drawing page 10) |
| 3110 3940 1109 | <input type="checkbox"/> | Welded with one front wheel - (see drawing page 10) |

! Colour (mandatory)

| | | | | | |
|----------------|--------------------------|-----------------|----------------|--------------------------|-------------|
| 6190 0000 1109 | <input type="checkbox"/> | Silver anodized | 6190 0000 2509 | <input type="checkbox"/> | Shiny black |
| 6190 0000 2109 | <input type="checkbox"/> | White | 6190 0000 2609 | <input type="checkbox"/> | Orange |
| 6190 0000 2209 | <input type="checkbox"/> | Green | 6190 0000 2709 | <input type="checkbox"/> | Blue |
| 6190 0000 2309 | <input type="checkbox"/> | Golden brown | 6190 0000 2809 | <input type="checkbox"/> | Matt black |
| 6190 0000 2409 | <input type="checkbox"/> | Red | | | |
| 6190 0000 3009 | <input type="checkbox"/> | Custom colour | ! Colour code | _____ | |

Custom made from drawing/notes (page 9)

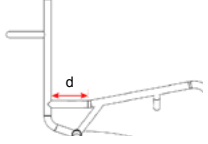
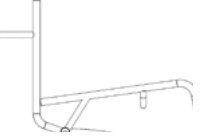
| | | |
|--|--------------------------|---|
| | <input type="checkbox"/> | Custom made ideas/solutions from own drawing/notes (page 9) |
|--|--------------------------|---|

| ! Frame data (mandatory) | | | | | | |
|---|-------|--|----------|---|------------------------------|------------------|
| | [!] | SW: Seat width - outer measurement (std. 36, 38, 40, 42 cm) | | _____ cm | Drawings page 10 | |
| | [!] | FD: Frame depth (std 44 cm) (see also note (1) below) | _____ cm | SD-min (1) = Shortest seatd. (std. 39 cm) [!] | _____ cm Drawings page 10 | |
| 6160 00?? 0009 | [!] | SH-r: Seat height at rear edge seat to floor (std. 45 cm) | | _____ cm | Drawings page 10 | |
| 6150 00?? 0009 | [!] | SH-f: Seat height at front at seat depth point to floor (std. 51 cm) | | _____ cm | | |
| 6115 00?? 0009 | [] | C: Camber angle rear axle (std. 18°) | | _____ ° | Drawings page 10 | |
| 81?? ???? FF09 | [!] | BH: Back height (std. 32 cm) | _____ cm | BH-max (1) : (std. 39 cm) | | _____ cm |
| | [!] | CW: Distance between the casters (center to center) | | _____ cm | | Drawings page 10 |
| These 3 measures will normally be optimized in the production process | [] | BC: Front of backrest to center of casters (std. 58 cm) | | _____ cm | | |
| | [] | TW: Total width including wheels | | _____ cm | | |
| | [] | TF: Distance between sideguards and top of rear wheel (std. 2,5 cm) | | _____ cm | Drawings page 10 | |


(1) Seat adjustability: You must fill in SD-min and define the minimum needed seat depth.

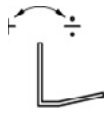
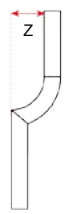
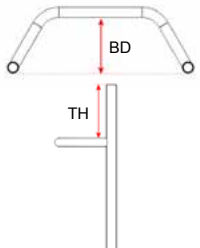
| ! Rear axle (mandatory) | | | | | |
|-------------------------|-------|-------------------------|------------------|--|------------------------------|
| 6911 0000 0050 | [] | Adjustable axle | ! | RA: (std. 8-20 cm) | _____ cm Drawings page 10 |
| 6110 00?? 0009 | [] | Fixed axle, welded | ! | RA: (std. 16 cm) | _____ cm |
| Rear axle system | [] | ½" Q-release (standard) | [] | Wrex 25 mm, 0-tolerance axle, only Wrex wheel (p. 8) | |
| Rear wheel size | [!] | _____ (std. 26") | Front wheel size | _____ (std. 3"/76 mm) | Selection page 8 |

| Sideguard attachment system (recommended choice) | | | |
|--|--------------------------|---|--|
| 6810 0001 0005 | <input type="checkbox"/> | Fixed by welding (aluminium only) (std.) | |
| 6810 0001 0050 | <input type="checkbox"/> | Fixed by screws on welded tabs | |
| 6810 0001 0055 | <input type="checkbox"/> | Fixed with rivet nuts | |
| 6810 0001 0006 | <input type="checkbox"/> | Welded tube for straps attached with velcro | |

| ! Choice of seat (mandatory) | | | |
|------------------------------|--------------------------|--|---|
| 6100 00?? 0009 | <input type="checkbox"/> | Ergo seat (std) | <input type="checkbox"/> d: (std.12 cm) _____ cm |
| | | |  |
| 6100 0000 0009 | <input type="checkbox"/> | Straight seat tubes |  |
| 6910 0001 0010 | <input type="checkbox"/> | SF: Fixation holes for straps in seat tubes, dist from back (std. 32 cm) | _____ cm |
| 6910 0001 0011 | <input type="checkbox"/> | Fixation holes for straps, rear frame tubes | Always 4 cm lower than seat |

| Knee support | | | <input type="checkbox"/> NO |
|----------------|--------------------------|---------------------|-----------------------------|
| 8893 0001 00?? | <input type="checkbox"/> | Knee support | |
| | <input type="checkbox"/> | Adjustable by angle | see photo below |
| | <input type="checkbox"/> | As drawn below | |

| Own drawing | Adjustable by angle |
|-------------|---|
| |  |

| ! Back system (mandatory) | | | | | | | |
|---------------------------|-----|---|----------------------|-------------------------------|---|--|--|
| 8111 ???? 1009 | ! | Fixed back, welded | [] | BA: Back angle (std. 0 cm) | _____ ± cm |  + Backwards - To the front | |
| 8122 0020 011? | [] | Wing Back: Integrated multi-adjustable back support | | | Depth  | | |
| | ! | [] Z: 3 cm | | | | | |
| | ! | [] Z: 5 cm [] Z: 7 cm | | | | | |
| | ! | ZA: Height from seat tube to start bend ILSA (std 19 cm) | | | _____ cm | | |
| | [] | Bend on back (1) | a: Backwards (+) [] | a: Forwards (-) [] | _____ cm | | |
| | ! | b: Length of upper, bended part of the back tubes | | | _____ cm | | |
| | ! | c: Distance from seat tube to bend | | | _____ cm | | |
| | | Shape of backrest tube | Standard [] | Rounded [] |  | | |
| | ! | BD: Backrest tube (BRT) depth (std. 12 cm) | | _____ cm | | | |
| | ! | TH: Back rest tube distance from top of backrest tubes (std. 12 cm) | | _____ cm | | | |

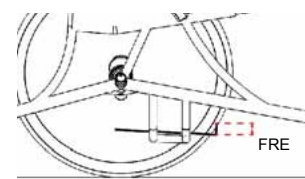
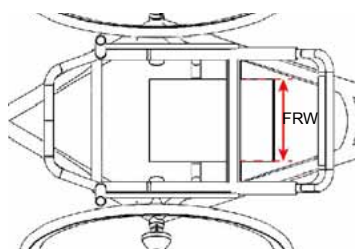
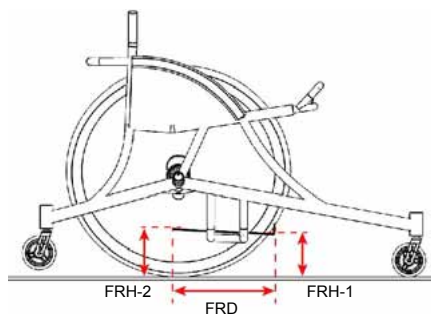
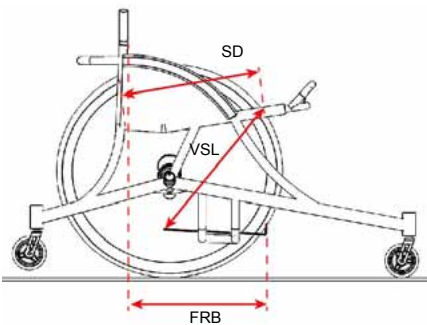
Technical modifications and printing errors reserved

© Wolturnus AS OF Paddle Tennis wheelchair EN-DA 2016 v1.0



| ! Footrest (mandatory) | | | |
|---|-----|--|---|
| 6145 00?? 0001 | [] | VSL: Front of seat upholstery to rear edge of footrest Max VSL std. 45 cm | Max VSL _____ cm |
| If both VSL and FRH is filled out, VSL will be leading. | [] | FRH: Height of footrest (Alternative to VSL) | Front FRH-1: _____ cm Rear FRH-2: _____ cm |
| | [] | | Foran _____ cm Bag _____ cm |

| | | | |
|----------------|-----|--|--|
| 8299 9901 0005 | [] | Footplate screwed on footrest w/rivet nuts (std.) | |
| 8892 0001 0050 | [] | Distance fittings w. screws for shortening VSL, 3 sizes incl: 1, 2 and 3 cm. | |
| 8299 9903 0050 | [] | Footrest fixated by welding | |
| 8350 9921 0001 | [] | Rubber plated footplate | |

| | | | | |
|---------------------------|-----|---|----------|---------------|
| | ! | FRA: Angle of foot rest in cm topside back to front (std. 1 cm) | _____ cm | Drawing below |
| Must be filled in! | ! | FRB: Distand back tube to front edge of footrest | _____ cm | Drawing below |
| 8299 ???? 0001 | ! | FRD: Depth of footrest, back to front outside (std. 28 cm) | _____ cm | Drawing below |
| | ! | FRW: Width of footrest (plate) (std. 23 cm) | _____ cm | |
| | [] | FRE: Foot plate, height of bended edge of the front (std. 3 cm) | _____ cm | Drawing below |
| | [] | FRE: Foot tray, height of edge on front and sides (std. 3 cm) | _____ cm | |



| ! Upholstery (mandatory) | | | | | | | |
|--------------------------|-------|---|------------------------------|------------|--------------------------------------|------------------|--------------|
| 7100 ???? 1009 | [] | Extra wide back upholstery for deeper back | Choose between +1/+2/+3cm | _____ cm | | | |
| Important! | | Seat upholstery depth (SD) is adjustable. SD can be made up to 10 cm longer than shortest possible position (SD-min). | | | | Drawings page 10 | |
| 7200 ???? 1009 | [!] | SD: The seat length to be delivered (std. between 39 and 44 cm) | | | _____ cm | | |
| 7250 ???? 1009 | [] | Hard seat made of Dibond, fastened with velcro, length adjustable +/-3 cm | | | | Replace upholst. | |
| 7100 9999 001? | [] | Leather back upholstery (detachable part) | Black [] | Red [] | White [] | Blue [] | Choose color |
| 7100 9999 000? | [] | Leather on upper corners of back upholstery (standard black) | Black [] | Red [] | White [] | Blue [] | Choose color |
| 7600 0001 00?? | [] | Frame protectors | [] Front tubes | | [] Backrest tube (std) | | |
| 7500 ???? ?009 | [] | Seat cushion | Height (std. 5 cm) | _____ mm | Width x depth BxD: _____x_____ cm | | |
| | | | [] Hard | [] Medium | | | |

| Sideguards and armrests | | | | | | | |
|--|-------|--|----------|-----------------|-----------|--|--|
| 8812 2402 0009 | [] | Welded-on aluminium sideguards (std.) | | | |  Alu sideguard welded on | |
| 8812 2402 0008 | [] | Welded-on aluminium sideguards with 1,5 cm rounding at seat surface (Gives more room for the hips) | | | | | |
| 8812 2401 1009 | [] | Carbon sideguards, fixed with screws | | | |  Alu sideguard fixed with screws | |
| 8812 2420 1010 | [] | Velcro straps for aluminium tube top with rings | | | | | |
| 8812 2403 1009 | [] | Aluminium sideguards 2 mm, fixed with screws | | | | | |
| At std. option these are defined in advance. | [!] | GH: Height from tires to upper edge of sideguards | | | _____ cm | | |
| | [!] | GL: Length from back tubes to front of sideguards | | | _____ cm | | |
| 7670 0000 00?? | [] | Thermal protection for sideguards (standard option) | [] Left | [] 3 mm (std.) | [] 10 mm | [] 20 mm | |

| Anti-tipper (standard) | | | |
|------------------------|--------------------------|--|------------------|
| 6911 0000 0001 | <input type="checkbox"/> | Centermounted anti-tipper welded on - (Single wheel) | Drawings page 11 |
| 6911 0000 0002 | <input type="checkbox"/> | Pair of anti-tippers welded on - (Two wheels) | |

| Other accessories | | | | [] NO | |
|--------------------------|---------------------------------|---------------------------------|---------------------------------|-----------------|--|
| <input type="checkbox"/> | Extra wheel(s) as ordered below | <input type="checkbox"/> 1 Pair | <input type="checkbox"/> 1 pcs. | Standard option | |

| Front and antitipper wheels (Castors) | | | | [] NO | | |
|---------------------------------------|--------------------------------------|--|--------------------------|--------------------------|--------------------------|--|
| | | | 64 mm (2,5") | 76 mm (3") | 80 mm (3") | |
| 8600 1020 ???? | Front- and antitipper wheels, Skater | | <input type="checkbox"/> | <input type="checkbox"/> | <input type="checkbox"/> | |

| Rear wheels | | | | [] NO | | | |
|----------------|-------------------------------------|--|--|--------------------------|--------------------------|--------------------------|--------------------------|
| | | | | 24" | 25" | 26" | 28" |
| 8513 2?20 1209 | Crossed 36 spokes wheels (sporthub) | | | <input type="checkbox"/> | <input type="checkbox"/> | <input type="checkbox"/> | <input type="checkbox"/> |
| 8536 ??10 1009 | Spinergy wheels 24 black spokes SL | | | <input type="checkbox"/> | <input type="checkbox"/> | <input type="checkbox"/> | <input type="checkbox"/> |
| 8536 ??18 1009 | Spinergy wheels 18 black spokes SLX | | | <input type="checkbox"/> | <input type="checkbox"/> | <input type="checkbox"/> | - |
| 8536 ??24 1209 | Spinergy wheels 24 black spokes SLX | | | <input type="checkbox"/> | <input type="checkbox"/> | <input type="checkbox"/> | <input type="checkbox"/> |
| 8537 282? 3601 | Wrex, crossed spokes | | | <input type="checkbox"/> | <input type="checkbox"/> | <input type="checkbox"/> | <input type="checkbox"/> |

| Pushrims | | | | [] NO | | | |
|-----------------|--|---|--------------------------------------|-----------------------------|--------------------------|--------------------------|--------------------------|
| Distance pieces | <input type="checkbox"/> Long (4,3 cm) | <input type="checkbox"/> Short (Std) (3,3 cm) | <input type="checkbox"/> Super short | PT: _____ cm (see below) | | | |
| | | | | 24" | 25" | 26" | 28" |
| 8551 2?10 2009 | Alu pushrims | | | <input type="checkbox"/> | <input type="checkbox"/> | <input type="checkbox"/> | <input type="checkbox"/> |
| 8551 2810 2010 | Alu pushrims Ø 19 with 12 tabs | | | - | - | - | <input type="checkbox"/> |
| 8555 2?00 0009 | Titanium pushrims Ø 19 | | | <input type="checkbox"/> | <input type="checkbox"/> | <input type="checkbox"/> | <input type="checkbox"/> |
| 8555 2800 0010 | Titanium pushrims Ø 19 with 12 tabs | | | - | - | - | <input type="checkbox"/> |
| 8554 ???? 0009 | High friction pushrims | | | <input type="checkbox"/> | <input type="checkbox"/> | <input type="checkbox"/> | <input type="checkbox"/> |
| 8550 2?10 3009 | Stainless seel pushrims | | | <input type="checkbox"/> | <input type="checkbox"/> | <input type="checkbox"/> | <input type="checkbox"/> |

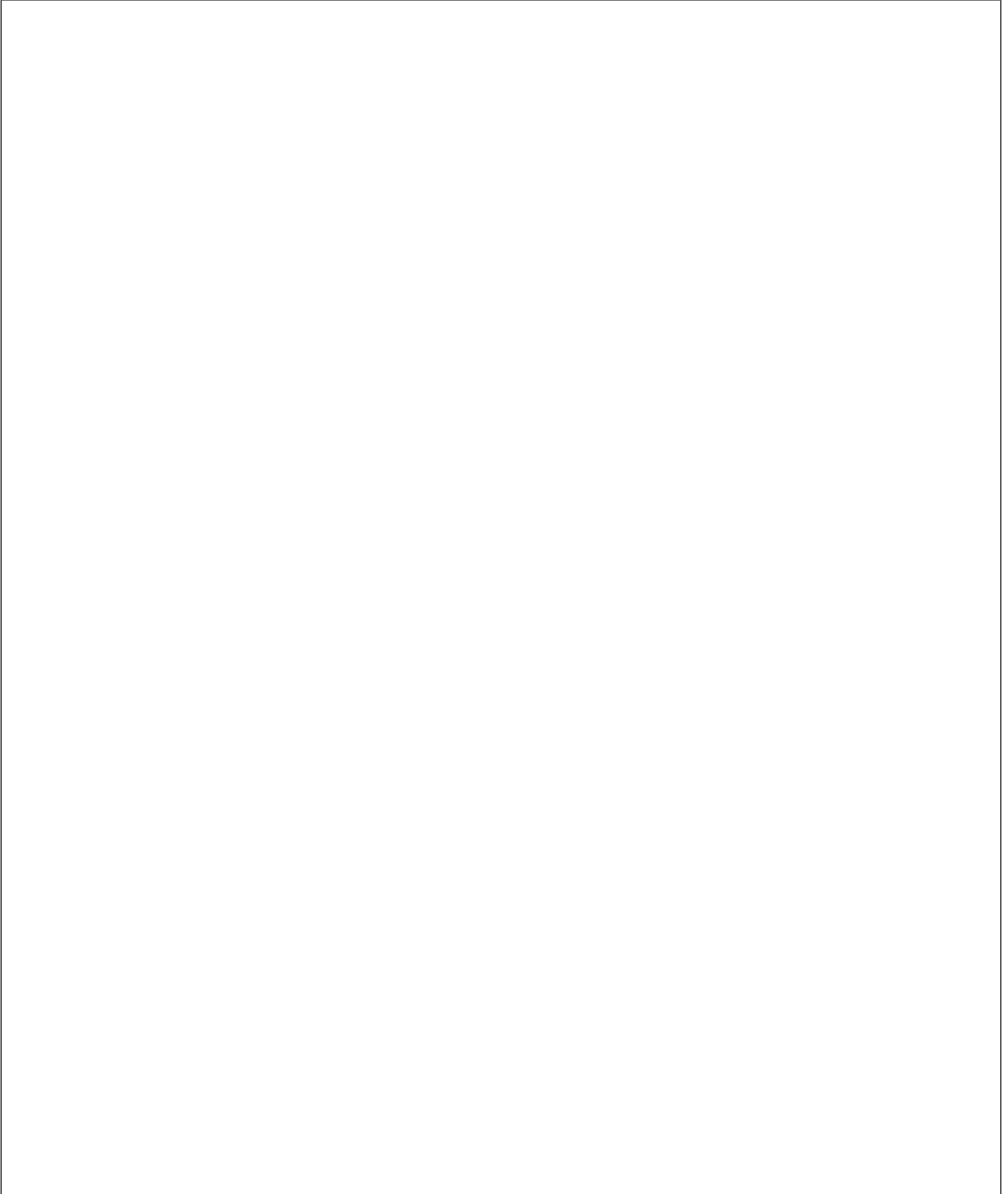
| Spoke guards | | | | [] NO | | | |
|----------------|--------------------|--|--|--------------------------|--------------------------|--------------------------|--------------------------|
| | | | | 24" | 25" | 26" | 28" |
| 8571 ??10 2009 | TRANSPARENT, Sport | | | <input type="checkbox"/> | <input type="checkbox"/> | <input type="checkbox"/> | <input type="checkbox"/> |

| Tyres | | | | [] NO | | | |
|---|------------------------------------|--|-----|--------------------------|--------------------------|--------------------------|--------------------------|
| ____ Number of pcs (if extra is wanted) | | | 24" | 25" | 26" | 28" | |
| 9662 ??01 00?? | SpeedAir tyres 10 bar 20 mm (std.) | | | <input type="checkbox"/> | <input type="checkbox"/> | <input type="checkbox"/> | <input type="checkbox"/> |
| 9662 2501 0030 | Tufo MS3 25x1 beige-beige | | | - | <input type="checkbox"/> | <input type="checkbox"/> | <input type="checkbox"/> |

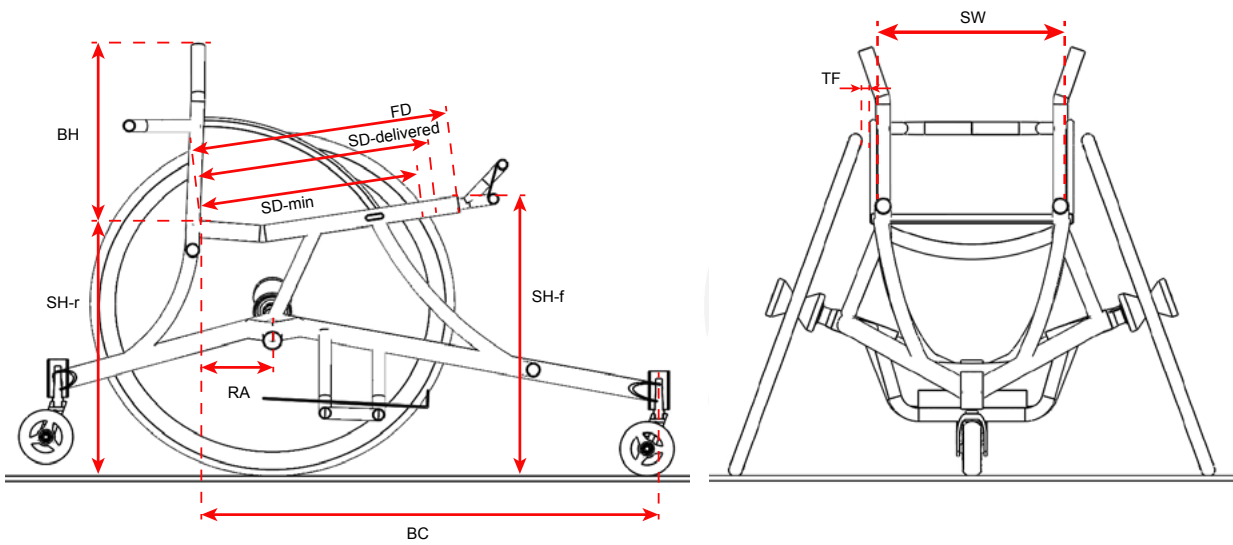
Custom made

Description

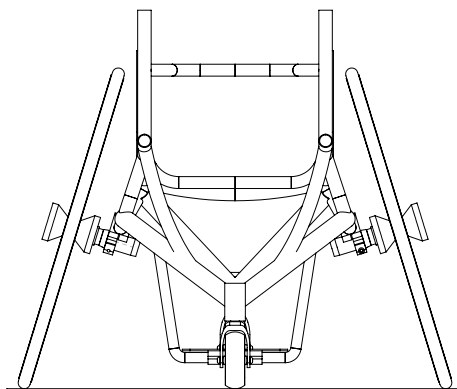
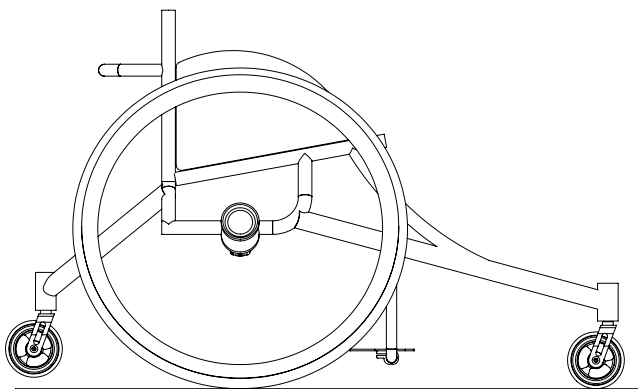
Drawing



Frame data



1 front wheel - 1 antitipper



2 front wheel - 2 antitipper

