



## Top End Pro Basketball (ProBB) Order Form



Date \*

dd-MMM-yyyy



Distributed in Canada by 49 Bespoke Inc.

137 Buttermilk Avenue, Concord, Ontario, L4K 3X5

Tel: 416.661.4499

Fax: 416.661.8903

49@49bespoke.com

www.49bespoke.com

Order Request Type \*

Quote

Sales Order

Contact Name \*

First Name

Last Name

Phone Number \*

Email Address \*

**Billing Address \***

*Street Address*

*Address Line 2*

*City*

*State/Region/Province*

*Postal / Zip Code*

*Country*

**Ship to name, phone and email same as Contact**

Yes

**Ship To Name \***

*First Name*

*Last Name*

**Shipping Address \***

*Street Address*

*Address Line 2*

*City*

*State/Region/Province*

*Postal / Zip Code*

*Country*

**Ship to Dealer? \***

Yes.

No.

**User Name**

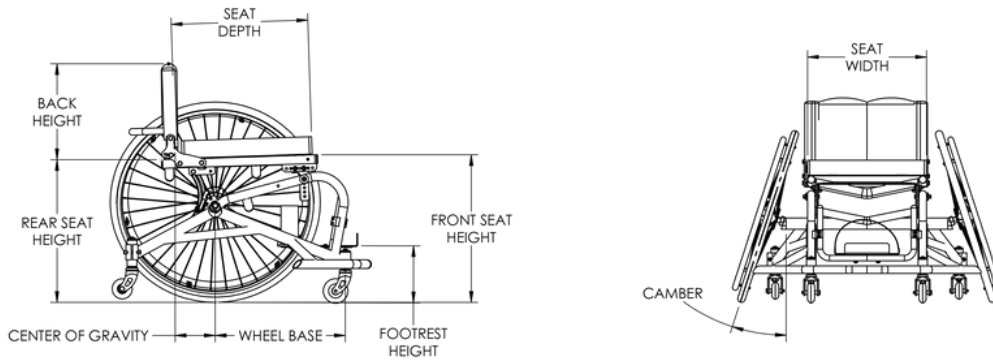
**Measured by:**

**Measurers Email \***

10000: Top End Pro BB Wheelchair \$



The ProBB is built for speed and agility on the court. The adjustable frame options allow for the perfect fit for any athlete.



**Frame Type \***

- 15168 Standard Seat Style Frame \$
- 15173 Heavy Duty Standard Seat Style Frame \$

**Sizing: Seat Width \***

- 15005: 10" Seat Width \$
- 15007: 11" Seat Width \$
- 15009: 12" Seat Width \$
- 15011: 13" Seat Width \$
- 15013: 14" Seat Width \$
- 15015: 15" Seat Width \$
- 15017: 16" Seat Width \$
- 15019: 17" Seat Width \$
- 15021: 18" Seat Width \$
- 15023: 19" Seat Width \$
- 15025: 20" Seat Width \$

**Sizing: Seat Depth \***

- 15034: 10" Seat Depth \$
- 15036: 11" Seat Depth \$
- 15038: 12" Seat Depth \$
- 15040: 13" Seat Depth \$
- 15042: 14" Seat Depth \$
- 15044: 15" Seat Depth \$
- 15046: 16" Seat Depth \$
- 15048: 17" Seat Depth \$
- 15050: 18" Seat Depth \$

**Sizing: Back Height \***

- 15126: Adjustable 8" to 11" \$
- 15127: Adjustable 10" to 14" \$
- 15128: Adjustable 14" to 18" \$

**Sizing: Seat Height \***

- 15099: Adjustable Front: 19" to 21" (Tall) Adjustable Rear: 15" to 21" \$
- 15100: Adjustable Front: 17" to 19" (Short) Adjustable Rear: 13" to 17" \$

**Anti-Tip \***

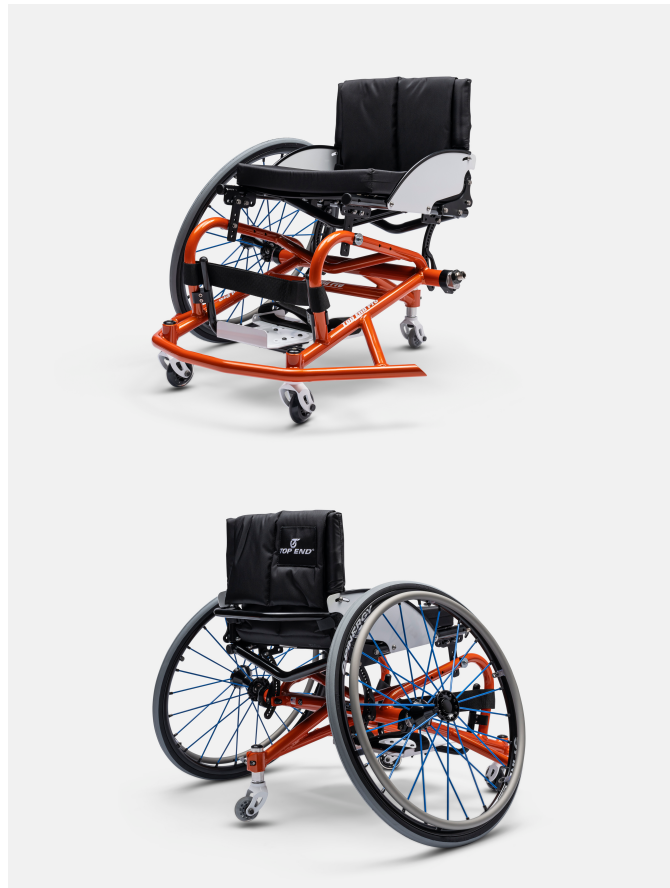
- 20030: Single, Adjustable Height \$
- 20031: Double, Adjustable Height \$

**Back Style: \***

- 30004: Adjustable Tension Back Upholstery with Leather Flaps \$
- 30012: Black Nylon Adjustable Tension Back Upholstery \$

**Side Guards: \***

- 20016: Omit Side Guards \$
- 20019: Aluminum Bolt Thru Side Guard \$



**Seat Cushions: \***

- 30005: 2" Soft Cushion \$
- 30006: 3" Soft Cushion \$
- 30008: 2" Hard Cushion \$

**Camber Angle: \***

- 45008: 15 Degree Camber \$
- 45009: 18 Degree Camber \$
- 45010: 20 Degree Camber \$

**Please note: The standard color for Spinergy hubs and rims is Black.**

**Wheel Style: \***

- 50292: High Performance -\$
- 50293: Spinergy SLX with standard hub and rim \$
- 50294: Spinergy XSLX with Standard Hub and Rim \$
- 50295: Spinergy SLX with Custom Hub and Rim Color \$ (This option adds 60 days to the lead time of this product.)
- 50296: Spinergy XSLX with Custom Hub and Rim Color \$ (This option adds 60 days to the lead time of this product.)

**Wheel Size: \***

- 50190: 24" (540) \$
- 50191: 25" (559) \$
- 50192: 26" (590) \$

**Wheelbase: \***

- 75066: 15" Wheelbase \$
- 75068: 17" Wheelbase \$
- 75070: 19" Wheelbase \$

**Handrim Mounting: \***

- 50308: Wide Mount- \$
- 50309: Close Mount- \$



### Spoke Color



White Spokes-50282



Red Spokes-50273



Blue Spokes-50276



Green Spokes-50275



Orange Spokes-50279



Yellow Spokes-50274



Pink Spokes-50277



Purple Spokes-50278



### Click Strap Options

- 25109 Click Strap, Small, Installed at Waist \$ (19"-32")
- 25105 Click Strap, Medium, Installed at Waist \$ (22"-40")
- 25104 Click Strap, Large, Installed at Waist \$ (24"-43")
- 25106 Click Strap, Small 8" Pad, Installed Over Knees \$
- 25107 Click Strap, Large 12" Pad, Installed Over Knees \$
- 25108 Click Strap, X-Large 16" Pad, Installed Over Knees \$
- 60030 Click Strap, Small, Footrest \$ (9.5"-16")



Black Spokes-50280



Custom Spokes



### Accent Color Paint Color Upgrade 1: Foot Tubing, Side Guards, Forks

- 55089: Custom Accent Color Upgrade: Foot Tubing, Side Guards, Forks \$
- 55149: Standard Accent Color Black: Foot Tubing, Side Guards, Forks \$

### Accent Paint Color Upgrade 2: Foot Plate, Foot Clamps, Seat Links

- 55112: Custom Accent Color Upgrade: Foot Plate, Foot Clamps, Seat Links \$
- 55150: Standard Accent Color Black: Foot Plate, Foot Clamps, Seat Links \$

### Recommended KNEE Strap Sizing:

25106 Small: Seat Widths 12" and under

25107 Large: Seat Widths 13", 14", 15"

25108 X-Large: Seat Widths 16" and higher

**Frame Color: \***

- 55001: Red-Simple Red \$
- 55002: Red-Tangerine Red \$
- 55003: Red-Raspberry Red \$
- 55005: Orange-Simple Orange \$
- 55105: Orange Bomber Orange \$
- 55007: Yellow-Safety Yellow \$
- 55008: Green-Grasshopper Green \$
- 55010: Blue-Midnight Blue \$
- 55011: Blue-Royal Blue \$
- 55012: Blue-Electric Blueberry \$
- 55015: Pink-Bubblegum Pink \$
- 55016: White-White Snow \$
- 55017: Black-Stealth Black \$
- 55018: Black-Wet Black \$
- 55019: Black-Black Prism \$
- 55020: Silver-Silver Metallic \$
- 55023: Grey- Stealth Grey \$
- 55050: Red-Neon Red \$
- 55051: Orange-Neon Orange \$
- 55052: Yellow-Neon Yellow \$
- 55053: Green-Agriculture Green \$
- 55054: Green-Neon Green \$
- 55055: Purple-Lilac Purple \$
- 55056: Purple- Purple Death \$
- 55057: Pink-Neon Pink \$
- 55070: Raw-Buffered Aluminum \$
- 55090: Bronze- Las Vegas Bronze \$
- 55091: Green- Mint Green \$
- 55092: Pink- Light Pink\$
- 55093: Grey- Fighter Jet Grey \$
- 55094: Blue- Tiffany Blue \$
- 55095: Blue- Carolina Blue \$
- 55113: Khaki \$

**Decal Color- 55151: \***

- Simple Red
- Raspberry Red
- Simple Orange
- Safety Yellow
- Khaki
- Agriculture Green
- Mint Green
- Tiffany Blue
- Carolina Blue
- Royal Blue
- Midnight Blue
- Wet Black
- Stealth Black
- Fighter Jet Grey
- White Snow
- Light Pink
- Bubble Gum Pink
- Purple Death
- Lilac Purple
- Custom: \$

**Custom Decals**

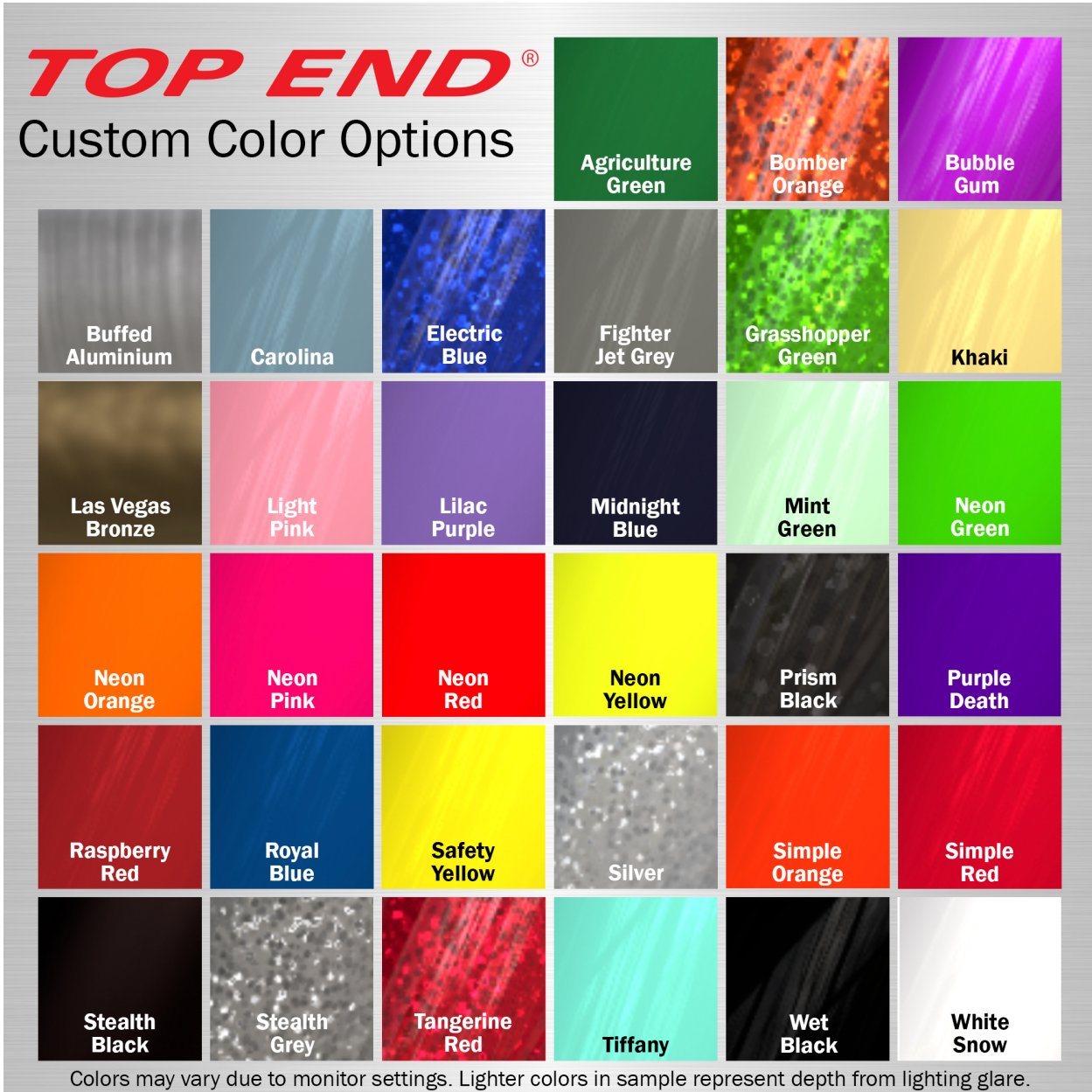
- Text- \$ /Decal
- Logo- \$ /Decal

**ProBB Standard Specifications**

- The ProBB comes fully assembled from our facility.
- Center of Gravity is adjustable between 3.5" to 5.5".
- Black Nylon Upholstery
- Screw on Seat Upholstery
- Includes Calf Straps
- Primo Grey Tires
- 6 Aluminum Anodized Tabs
- Spinergy wheels come standard on the ProBB
- Rear Frame Protector comes standard
- Hook and Loop Strap

# TOP END®

## Custom Color Options



Colors may vary due to monitor settings. Lighter colors in sample represent depth from lighting glare.

### Special Request Box

*Please leave any special requests in this box. Note: All special requests are subject to approval, additional charges, and additional lead time.*

This order form is for the Top End Pro Basketball Wheelchair.

For assistance please contact us at [49@49bespoke.com](mailto:49@49bespoke.com) or by phone at 416-661-4499 Monday-Friday 10:00 am - 6:00 pm

**DISCLAIMER:** Please contact customer service directly to make changes to an order form. Once the order form has been submitted change of selections cannot be applied. Any changes made after the order has begun production will need to go through approval from management before changes are accepted.