



## Top End T-5 7000 Series Tennis Wheelchair



Date \*

*dd-MMM-yyyy*

Order Request Type \*

- Please email a quote.
- Please put this order into production.

Contact Name \*

*First Name*

*Last Name*

Contact Phone Number \*

Contact Email Address \*

**Billing Address \***

*Street Address*

*Address Line 2*

*City*

*State/Region/Province*

*Postal / Zip Code*

*Country*

**Ship to name, phone and email same as Contact**

Yes

**Ship To Name \***

*First Name*

*Last Name*

**Shipping Address \***

*Street Address*

*Address Line 2*

*City*

*State/Region/Province*

*Postal / Zip Code*

*Country*

**Ship to Dealer? \***

Yes.

No.

**User Name**

**Measurements taken by:**

**Measurer Email \***

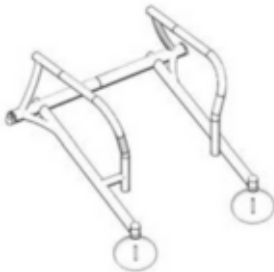
10003: Top End T-5 7000 Series Tennis Wheelchair \$



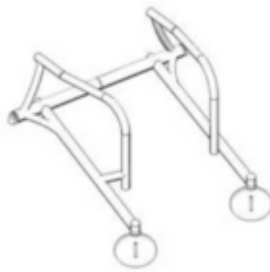
Chase your grand slam dreams with the Top End T-5 7000 Series Tennis Wheelchair. Precision-built with lightweight 7000 series aluminum, it offers custom options for peak performance.

**Frame Type \***

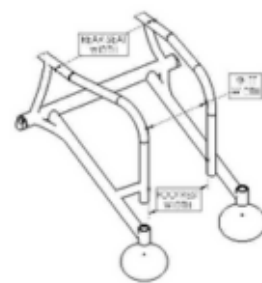
- 15168: Standard Seat Style Frame \$
- 15169: Tapered Seat Style Frame \$
- 15173: Heavy Duty Standard Seat Style Frame \$



**Standard and Heavy  
Duty Seat Style  
Frame**



**Tapered Seat Style  
Frame**



**Tubing size is 1.0"**

**Seat Type \***

- 75013: Standard Seat Upholstery- \$
- 75007: Solid Seat With Welded Rigidizer Bars- \$
- 75035: Removable Solid Seat With Standard Seat Upholstery- \$

**Seat Width \***

- 15009: 12.0" Seat Width. \$
- 15010: 12.5" Seat Width. \$
- 15011: 13.0" Seat Width. \$
- 15012: 13.5" Seat Width. \$
- 15013: 14.0" Seat Width. \$
- 15014: 14.5" Seat Width. \$
- 15015: 15.0" Seat Width. \$
- 15016: 15.5" Seat Width \$
- 15017: 16.0" Seat Width \$
- 15018: 16.5" Seat Width. \$
- 15019: 17.0" Seat Width. \$
- 15020: 17.5" Seat Width \$
- 15021: 18.0" Seat Width \$
- 15022: 18.5" Seat Width \$

**Seat Depth \***

- 15038: 12.0" Seat Depth \$
- 15040: 13.0" Seat Depth \$
- 15042: 14.0" Seat Depth \$
- 15044: 15.0" Seat Depth \$
- 15046: 16.0" Seat Depth \$
- 15048: 17.0" Seat Depth \$
- 15050: 18.0" Seat Depth \$
- 15052: 19.0" Seat Depth \$
- 15399: Custom Seat Depth \$

**Adjustable Back Height:**

- 15126: Adjustable 8" to 11" \$
- 15127: Adjustable 10" to 14" \$
- 15128: Adjustable 14" to 18" \$

**Extra Frame Depth \***

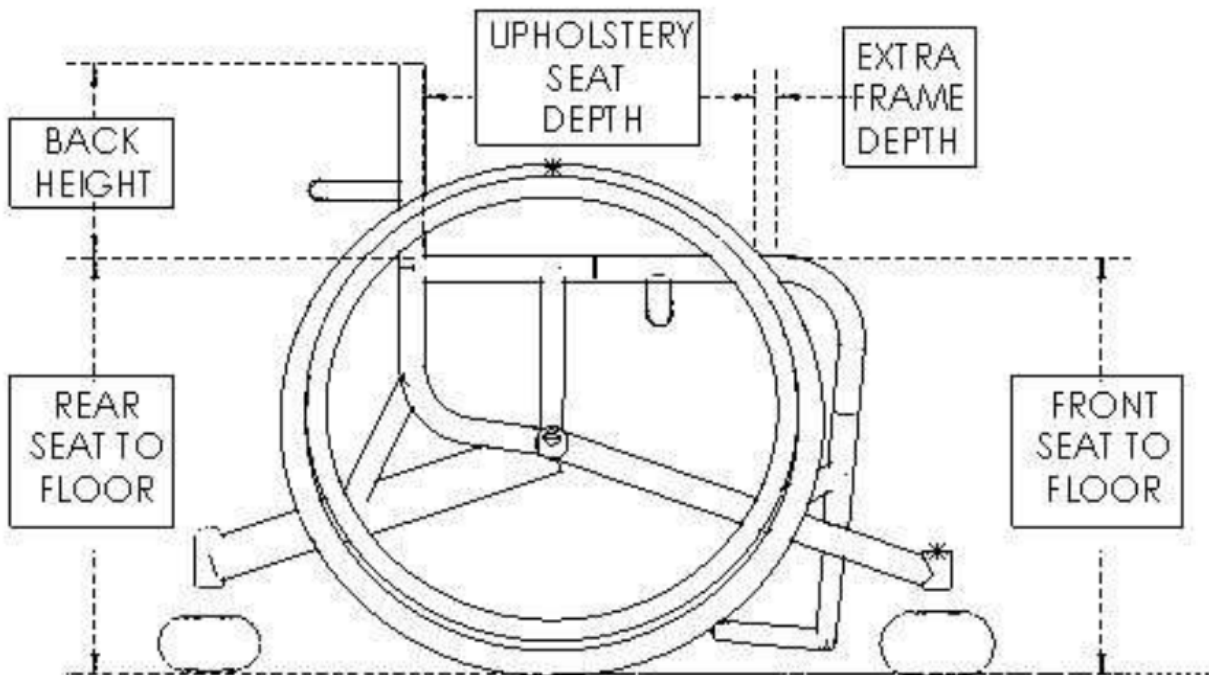
- 15142 Standard – 1.0" beginning at end of seat depth \$
- 15400 Custom Extra Frame Depth \$

*Choose between adjustable and fixed back heights. Fixed Options below.*

**Fixed Back Height:**

- 15101 Fixed at 8.0" \$
- 15103 Fixed at 9.0" \$
- 15105 Fixed at 10.0" \$
- 15107 Fixed at 11.0" \$
- 15109 Fixed at 12.0" \$
- 15132: Custom Fixed Back Height \$

*Choose between adjustable or fixed back height. Adjustable options above.*



**Front Seat to Floor: \***

- 15063: 16.0" Front Seat to Floor \$
- 15064: 16.5" Front Seat to Floor \$
- 15065: 17.0" Front Seat to Floor \$
- 15066: 17.5" Front Seat to Floor \$
- 15067: 18.0" Front Seat to Floor \$
- 15068: 18.5" Front Seat to Floor \$
- 15069: 19.0" Front Seat to Floor \$
- 15070: 19.5" Front Seat to Floor \$
- 15071: 20.0" Front Seat to Floor \$
- 15072: 20.5" Front Seat to Floor \$
- 15073: 21.0" Front Seat to Floor \$
- 15167: Custom Front Seat to Floor Height \$

**Footrest Plate \***

- 60024 Telescoping, No Plastic Cover \$
- 60026 Telescoping, with Plastic Cover \$
- 60036 Telescoping, Platform Plate \$

**Click Strap Options**

- 25104 Click Strap, Large, Installed at Waist \$
- 25105 Click Strap, Medium, Installed at Waist \$
- 25109 Click Strap, Small, Installed at Waist \$
- 25106 Click Strap, Small 8" Pad, Installed Over Knees \$
- 25107 Click Strap, Large 12" Pad, Installed Over Knees \$
- 25108 Click Strap, X-Large 16" Pad, Installed Over Knees \$

**Rear Seat To Floor \***

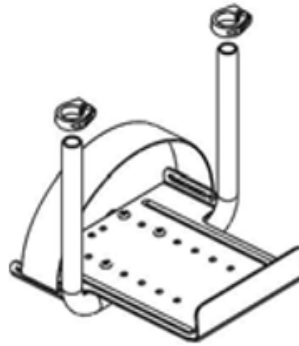
- 15080 14.5" Rear Seat to Floor \$
- 15081 15.0" Rear Seat to Floor \$
- 15082 15.5" Rear Seat to Floor \$
- 15083 16.0" Rear Seat to Floor \$
- 15084 16.5" Rear Seat to Floor \$
- 15085 17.0" Rear Seat to Floor \$
- 15086 17.5" Rear Seat to Floor \$
- 15087 18.0" Rear Seat to Floor \$
- 15088 18.5" Rear Seat to Floor \$
- 15089 19.0" Rear Seat to Floor \$
- 15090 19.5" Rear Seat to Floor \$
- 15091 20.0" Rear Seat to Floor \$
- 15092 20.5" Rear Seat to Floor \$
- 15093 21.0" Rear Seat to Floor \$
- 15166 Custom Rear Seat to Floor Height \$

**Recommended KNEE Strap Sizing:**

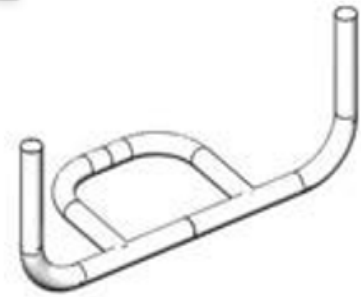
25106 Small: Seat Widths 12" and under  
25107 Large: Seat Widths 13", 14", 15"  
25108 X-Large: Seat Widths 16" and higher

**Footrest Click Strap Option:**

- 60030: Click Strap Small Installed on Footrest \$



**Telescoping Style Footrest**  
*(shown with platform plate)*



**Telescoping Style Footrest**  
*(shown with no plastic cover)*

**Footrest Width \***

- 60073 Standard Footrest Width is Seat Width Minus 5.0" (Minimum Footrest Width – 9.0") \$
- 60078 Custom Footrest Width \$

**Footrest Height From Floor \***

- 60022 1.0" – 5.5" From Floor \$
- 60023 4.0" – 7.0" From Floor \$

Set footrest height to:

**Footrest Location \***

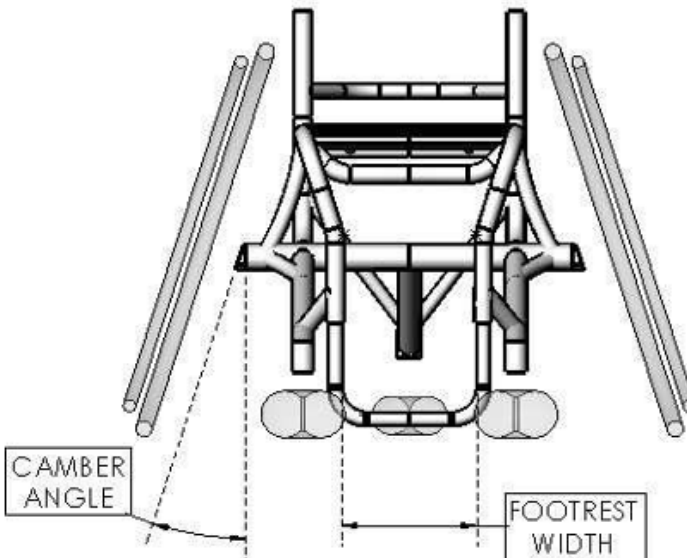
- 60033: Standard Footrest Location (95 Degrees - Front Frame to Footrest) \$
- 60032: Custom Footrest Location May specify front frame angle or distance from front of footrest to center of headtube. \$

**Wheelbase: \***

- 75014 Standard Wheelbase \$
- 75023 Custom Wheelbase \$

**Camber Angle \***

- 45008 15 Degree Camber \$
- 45009 18 Degree Camber \$
- 45010 20 Degree Camber \$



**Center Of Gravity Fixed**

- 45052 Fixed at 4.5" with Welded Backrest \$
- 45053 Fixed at 5.0" with Welded Backrest \$
- 45054 Fixed at 5.5" with Welded Backrest \$
- 45055 Fixed at 6.0" with Welded Backrest \$
- 45056 Fixed at 6.5" with Welded Backrest \$
- 45057 Fixed at 7.0" with Welded Backrest \$
- 45058 Fixed at 7.5" with Welded Backrest \$
- 45059 Fixed at 8.0" with Welded Backrest \$
- 45079 Custom Fixed Center of Gravity \$

*Choose between a fixed or adjustable center of gravity.*

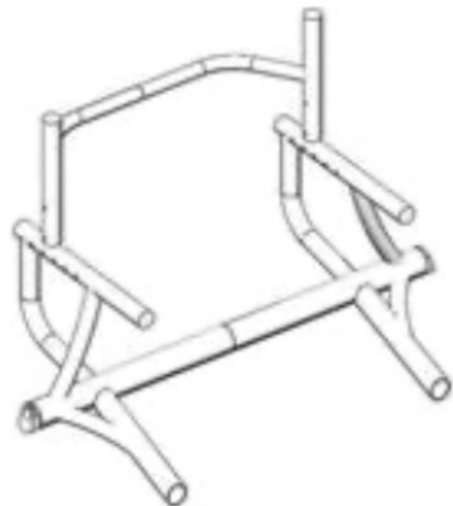


**Fixed Center of Gravity**

**Center Of Gravity: Adjustable**

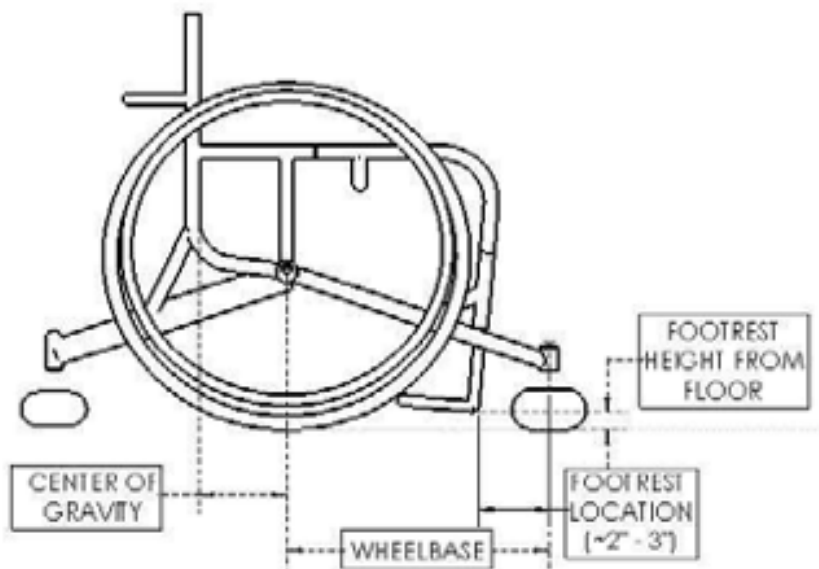
- 45075 Adjustable 3" to 5" with Adjustable Angle Bolt – On Backrest \$
- 45076 Adjustable 4" to 6" with Adjustable Angle Bolt – On Backrest \$
- 45080 Adjustable 5" to 7" with Adjustable Angle Bolt – On Backrest \$

*Choose between fixed or adjustable back height.*



**Adjustable Center of Gravity**

Set COG to:



### Side Guards: Fixed Aluminum

- 20004: Fixed, Aluminum, Clamp-on \$
- 20005 Fixed Aluminum: 6" Above Seat \$
- 20015 Fixed Aluminum: Custom Height \$
- 20016: Omit Side Guards \$
- 20020 Fixed Aluminum: Same Height as Wheel \$

*Choose between Fixed Aluminum or Welded Tube Side Guards.*

### Side Guards: Welded

- 20006 Welded Tube, 6" Above Seat \$
- 20018 Welded Tube: Custom Height \$

*Choose between Fixed Aluminum or Welded Tube Side Guards.*

### Seat Upholstery Style \*

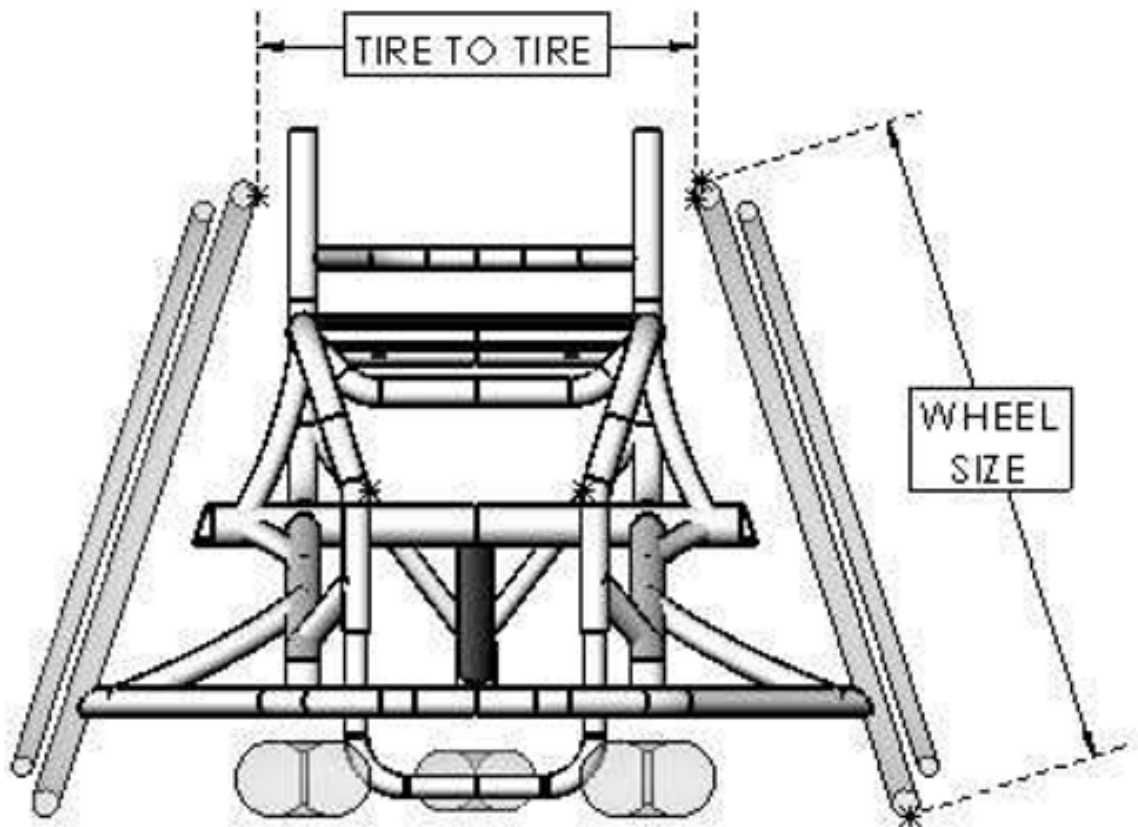
- 75007 Solid Seat \$
- 75013 Standard Adjustable Tension Seat Upholstery \$

### Back Upholstery Style \*

- 30004: Adjustable Tension Back Upholstery with Leather Flaps and Aluminum Dome Plugs (see definitions) \$
- 30012 Adjustable Tension Back Upholstery \$

### Seat Cushions: \*

- 30005 2" Soft Foam Cushion \$
- 30006 3" Soft Foam Cushion \$
- 30008 2" Hard Foam Cushion \$



**Wheel Size: \***

- 50190: 24" (540) Only available with 6-tab hand rims \$
- 50191: 25" (559) Only available with 6-tab hand rims \$
- 50192: 26" (590) Only available with 6-tab hand rims \$
- 50193: 700C (Spinergy Only) Only available in 12-tab hand rims \$

**Wheel Style: \***

- 50196 High Performance \$
- 50197 Spinergy SLX Standard Hub and Rim Color \$
- 50198 Spinergy XSLX Standard Hub and Rim Color \$
- 50325 Spinergy SLX Custom Hub and Rim Color \$ (This option adds 60 days to the lead time of this product.)
- 50326 Spinergy XSLX Custom Hub and Rim Color \$ (This option adds 60 days to the lead time of this product.)

The standard color for Spinergy Hubs and Rims is Wet Black

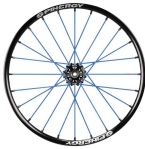
Spoke Color \*



White Spokes-  
TE50282



Red Spokes- TE50273



Blue Spokes- TE50276



Green Spokes-  
TE50275



Orange Spokes-  
TE50279



Yellow Spokes-  
TE50274



Pink Spokes- TE50277



Purple Spokes-TE50278



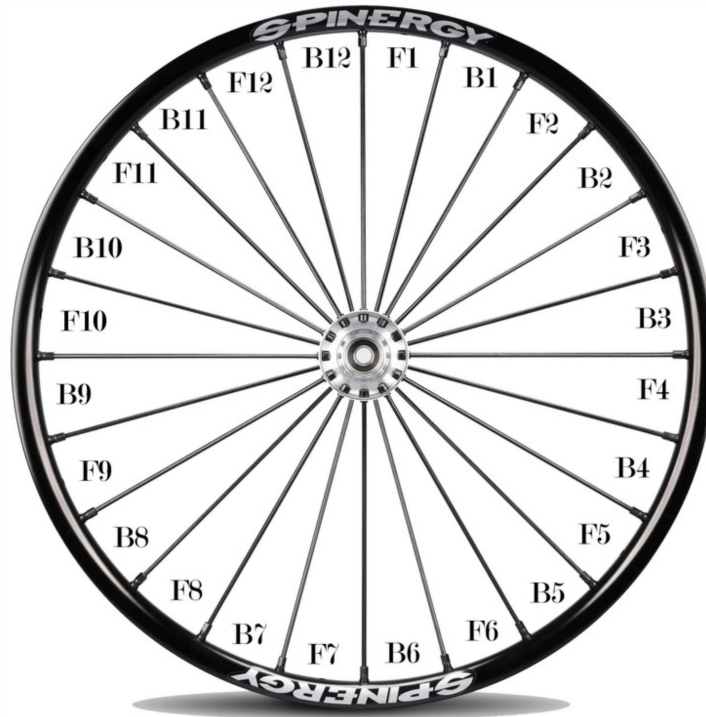
Black Spokes-TE 50280



Custom \$



Spinergy Custom Spoke Color Selection Guide



Accent Color: Side Guard, Forks, Foot Clamps, Foot Plate \*

- 55147 Standard Accent Color Black: Side Guard, Forks, Foot Clamps, Foot Plate \$
- 55148 Custom Accent Color Upgrade: Side Guard, Forks, Foot Clamps, Foot Plate \$



**Handrim Mounting: \***

- 50308: Wide Mount \$
- 50309: Close Mount \$
- 50310: Close Mount with Cut Tabs \$

**Tires: \***

- 50216: Primo Grey \$
- 50244 IRC Grey Available for (700C Wheel Size Only) \$
- 50243 IRC Red Available for (700C Wheel Size Only) \$

**Tire to Tire \***

- 15155 Standard Tire to Tire (Seat Width Plus 2.5") \$
- 15157: Custom Tire to Tire \$

**Upgradable: Safety**

- 25004 Rear Frame Protector \$

**Frame Color \***

- 55001: Red Simple Red \$
- 55002: Red Tangerine Red \$
- 55003: Red Raspberry Red \$
- 55005: Orange Simple Orange \$
- 55105: Orange Bomber Orange \$
- 55007: Yellow Safety Yellow \$
- 55008: Green Grasshopper Green \$
- 55010: Blue Midnight Blue \$
- 55011: Blue Royal Blue \$
- 55012: Blue Electric Blueberry \$
- 55015: Pink Bubblegum Pink \$
- 55016: White White Snow \$
- 55017: Black Stealth Black \$
- 55018: Black Wet Black \$
- 55019: Black Black Prism \$
- 55020: Silver Silver Metallic \$
- 55023: Grey Stealth Grey \$
- 55050: Red Neon Red \$
- 55051: Orange Neon Orange \$
- 55052: Yellow Neon Yellow \$
- 55053: Green Agricultural Green \$
- 55054: Green Neon Green \$
- 55055: Purple Lilac Purple \$
- 55056: Purple Purple Death \$
- 55057: Pink Neon Pink \$
- 55070: Raw Buffed Aluminum \$
- 55090: Bronze Las Vegas Bronze \$
- 55091: Green Mint Green \$
- 55092: Pink Light Pink \$
- 55093: Grey Fighter Jet Grey \$
- 55094: Blue Tiffany Blue \$
- 55095: Blue Carolina Blue \$
- 55113: Khaki \$

**Decal Color: \***

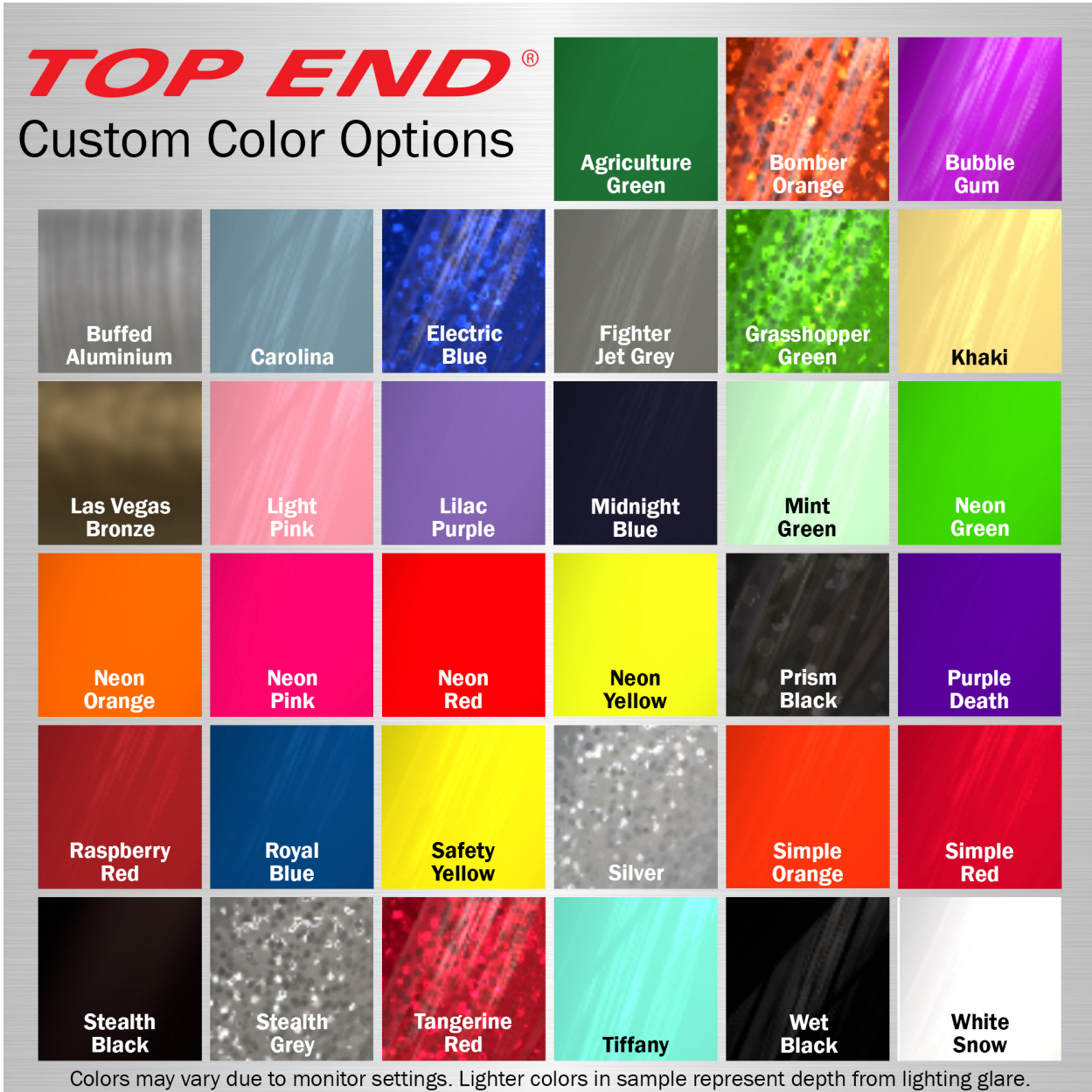
- Simple Red
- Raspberry Red
- Simple Orange
- Safety Yellow
- Khaki
- Agriculture Green
- Mint Green
- Tiffany Blue
- Carolina Blue
- Royal Blue
- Midnight Blue
- Wet Black
- Stealth Black
- Fighter Jet Grey
- White Snow
- Light Pink
- Bubble Gum Pink
- Purple Death
- Lilac Purple
- Custom: \$

**Custom Decals**

- Text- \$ /Decal
- Logo- \$ /Decal

# TOP END®

## Custom Color Options



### Special Request Box

*Please leave any special requests in this box. Note: All special requests are subject to approval, additional charges, and additional lead time.*

This order form is for the Top End T5 7000 Series Tennis Wheelchair.

For assistance please contact us at [49@49bespoke.com](mailto:49@49bespoke.com) or by phone at 416-661-4499 Monday-Friday 10:00 am - 6:00 pm

**DISCLAIMER:** Please contact customer service directly to make changes to an order form. Once the order form has been submitted change of selections cannot be applied. Any changes made after the order has begun production will need to go through approval from management before changes are accepted.