



# Top End Eliminator OSR U Cage Racing Wheelchair



Date \*

dd-MMM-yyyy



Distributed in Canada by 49 Bespoke Inc.

137 Buttermill Avenue, Concord, Ontario, L4K 3X5

Tel: 416.661.4499

Fax: 416.661.8903

49@49bespoke.com

www.49bespoke.com

Order Request Type \*

Quote

Sales Order

Contact Name \*

First Name

Last Name

Phone Number \*

Email Address \*

**Billing Address \***

*Street Address*

*Address Line 2*

*City*

*State/Region/Province*

*Postal / Zip Code*

*Country*

**Ship to name, phone and email same as Contact**

Yes

**Ship To Name \***

*First Name*

*Last Name*

**Shipping Address \***

*Street Address*

*Address Line 2*

*City*

*State/Region/Province*

*Postal / Zip Code*

*Country*

**Ship to Dealer? \***

Yes

No

**User Name**

**Measurements taken by:**

**Measurer's Email \***

10020 Eliminator OSR - U Cage Frame \$



Eliminator U-Cage: Pushing Limits Since Inception. Elevate your racing experience with precision, customization, and unbeatable performance.

**Frame Options: Seat Type \***

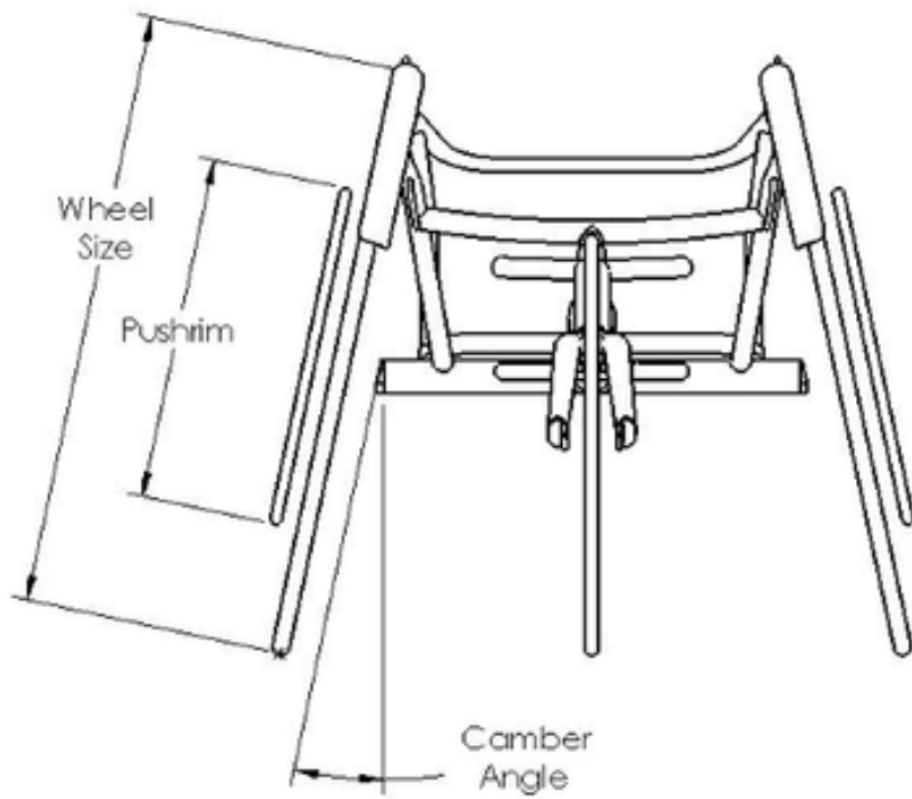
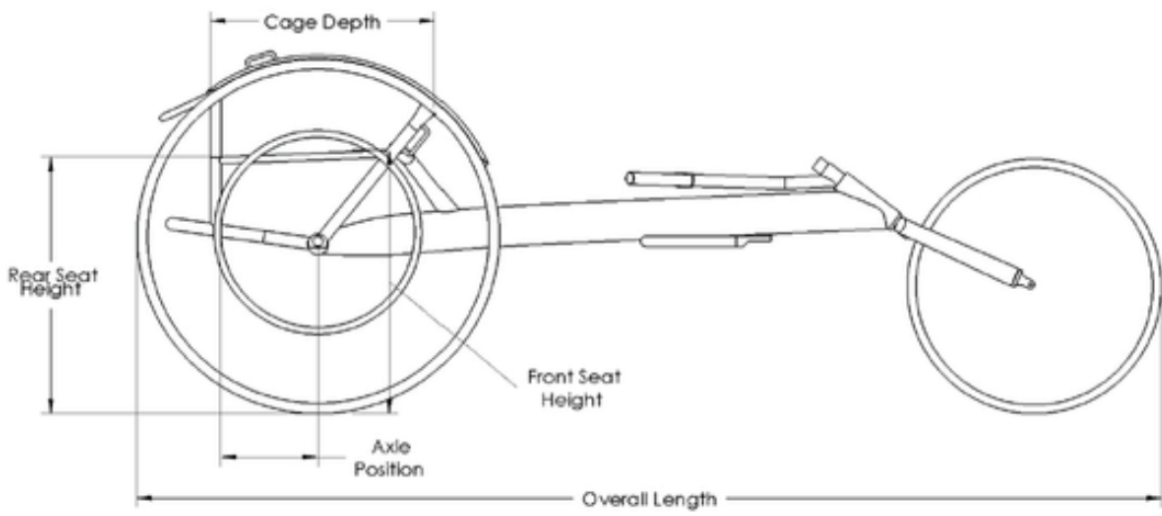
- 75010 Aluminum Solid Seat \$
- 75013 Standard Seat Upholstery, Omit Solid Seat \$
- 75092 Carbon Solid Seat \$

**Seat Upholstery \***

- 30016 6" Seat Upholstery Length \$
- 30017 9" Amputee Seat Upholstery Length \$

**Seat Cushions**

- 30018 Soft Seat Cushion \$



**Upper Frame Width \***

- 15361 9.0" (22.9 cm) Upper Frame Width \$
- 15362 9.5" (24.1 cm) Upper Frame Width \$
- 15195 10.0" (25.4 cm) Upper Frame Width \$
- 15196 10.5" (26.7 cm) Upper Frame Width \$
- 15197 11.0" (27.9 cm) Upper Frame Width \$
- 15198 11.5" (29.2 cm) Upper Frame Width \$
- 15199 12.0" (30.5 cm) Upper Frame Width \$
- 15200 12.5" (31.8 cm) Upper Frame Width \$
- 15201 13.0" (33.0 cm) Upper Frame Width \$
- 15202 13.5" (34.3 cm) Upper Frame Width \$
- 15203 14.0" (35.6 cm) Upper Frame Width \$
- 15204 14.5" (36.8 cm) Upper Frame Width \$
- 15205 15.0" (38.1 cm) Upper Frame Width \$
- 15206 15.5" (39.4 cm) Upper Frame Width \$
- 15207 16" (40.64 cm) Upper Frame Width \$
- 15208 16.5" (41.9 cm) Upper Frame Width \$
- 15209 17" (43.2 cm) Upper Frame Width \$
- 15377 Custom Upper Frame Width \$

**Lower Frame Width \***

- 15363 9.0" (22.9 cm) Lower Frame Width \$
- 15364 9.5" (24.1 cm) Lower Frame Width \$
- 15365 10.0" (25.4 cm) Lower Frame Width \$
- 15366 10.5" (26.7 cm) Lower Frame Width \$
- 15217 11.0" (27.9 cm) Lower Frame Width \$
- 15218 11.5" (29.2 cm) Lower Frame Width \$
- 15219 12.0" (30.5 cm) Lower Frame Width \$
- 15220 12.5" (31.8 cm) Lower Frame Width \$
- 15221 13.0" (33.0 cm) Lower Frame Width \$
- 15222 13.5" (34.3 cm) Lower Frame Width \$
- 15223 14.0" (35.6 cm) Lower Frame Width \$
- 15224 14.5" (36.8 cm) Lower Frame Width \$
- 15225 15.0" (38.1 cm) Lower Frame Width \$
- 15226 15.5" (39.4 cm) Lower Frame Width \$
- 15227 16.0" (40.6 cm) Lower Frame Width \$
- 15228 16.5" (41.9 cm) Lower Frame Width \$
- 15229 17.0" (43.2 cm) Lower Frame Width \$
- 15378 Custom Lower Frame Width \$

**Knee Width \***

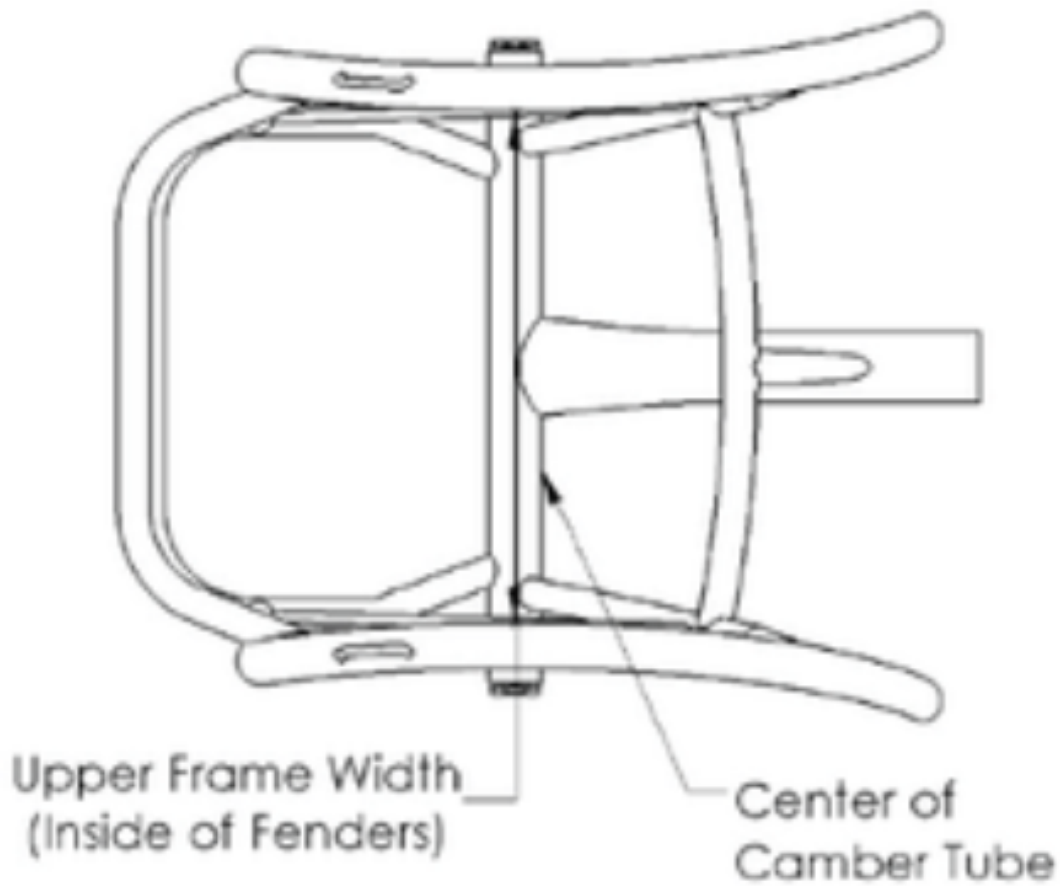
- 15315 7.0" Knee Width \$
- 15316 7.5" Knee Width \$
- 15317 8.0" Knee Width \$
- 15318 8.5" Knee Width \$
- 15319 9.0" Knee Width \$
- 15320 9.5" Knee Width \$
- 15321 10.0" Knee Width \$
- 15322 10.5" Knee Width \$
- 15323 11.0" Knee Width \$
- 15388 Custom Knee Width \$

**Knee Depth \***

- 15373 16.0" Knee Depth \$
- 15273 16.5" Knee Depth \$
- 15374 17.0" Knee Depth \$
- 15274 17.5" Knee Depth \$
- 15275 18.0" Knee Depth \$
- 15276 18.5" Knee Depth \$
- 15375 19.0" Knee Depth \$
- 15278 19.5" Knee Depth \$
- 15376 20.0" Knee Depth \$
- 15387 Custom Knee Depth \$

**Knee Height \***

- 15305 16.0" (40.6 cm) Knee Height \$
- 15310 16.5" (41.9 cm) Knee Height \$
- 15306 17.0" (43.2 cm) Knee Height \$
- 15311 17.5" (44.5 cm) Knee Height \$
- 15307 18.0" (45.7 cm) Knee Height \$
- 15312 18.5" (47.0 cm) Knee Height \$
- 15308 19.0" (48.3 cm) Knee Height \$
- 15313 19.5" (49.5 cm) Knee Height \$
- 15309 20.0" (50.8 cm) Knee Height \$
- 15386 Custom Knee Height \$



**Axle Position \***

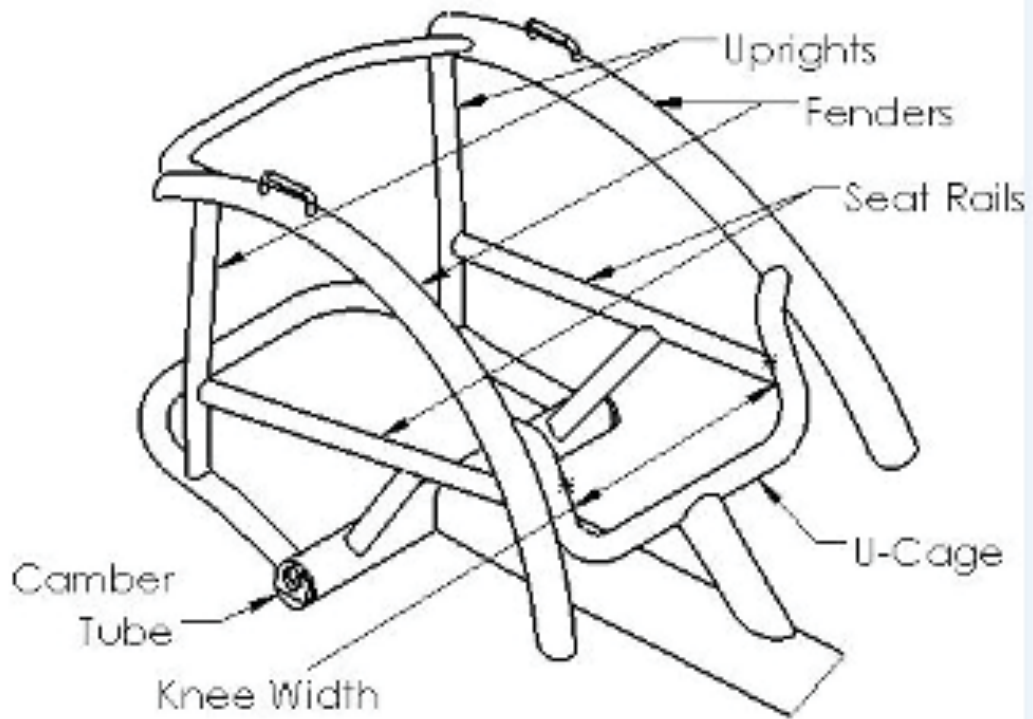
- 15236 5.0" Axle Position \$
- 15237 5.5" Axle Position \$
- 15238 6.0" Axle Position \$
- 15239 6.5" Axle Position \$
- 15240 7.0" Axle Position \$
- 15241 7.5" Axle Position \$
- 15242 8.0" Axle Position \$
- 15381 Custom Axle Position \$

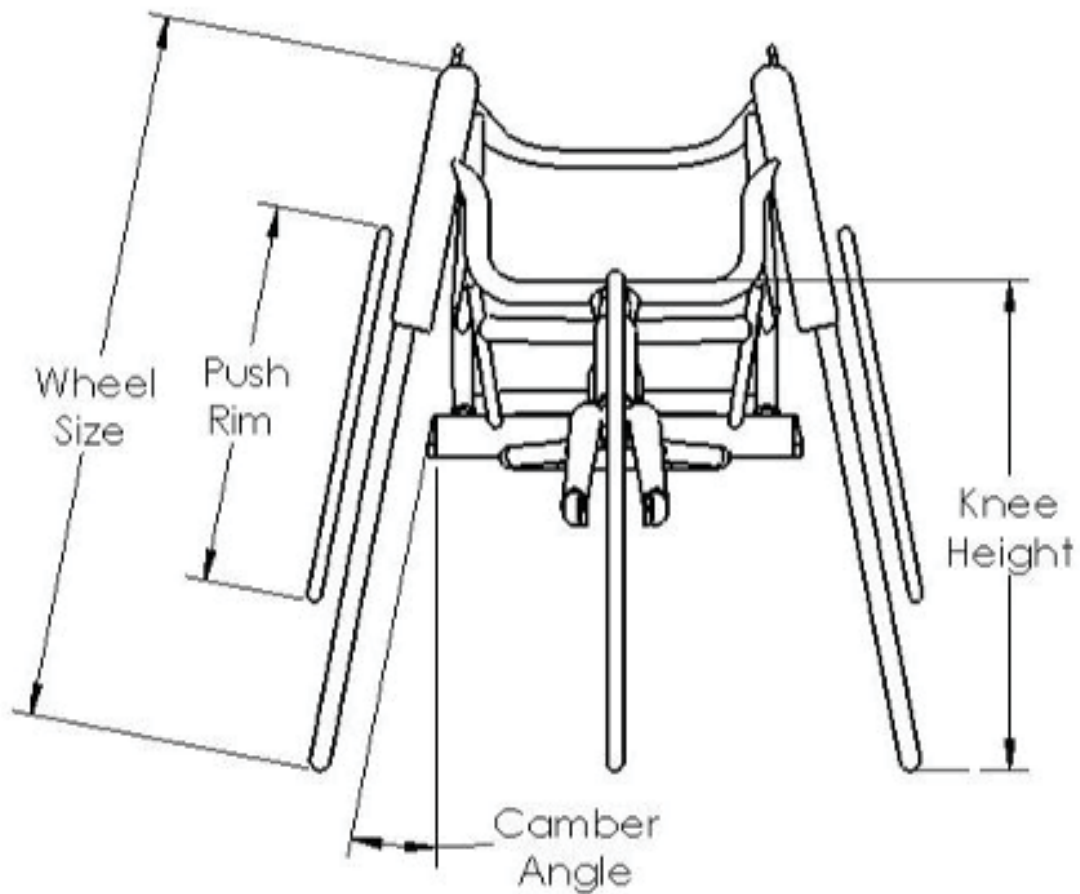
**Rear Seat Height \***

- 15280 15.0" (38.1 cm) Rear Seat Height \$
- 15281 15.5" (39.4 cm) Rear Seat Height \$
- 15282 16.0" (40.6 cm) Rear Seat Height \$
- 15283 16.5" (41.9 cm) Rear Seat Height \$
- 15284 17.0" (43.2 cm) Rear Seat Height \$
- 15285 17.5" (44.5 cm) Rear Seat Height \$
- 15286 18.0" (45.7 cm) Rear Seat Height \$
- 15287 18.5" (47.0 cm) Rear Seat Height \$
- 15288 19.0" (48.3 cm) Rear Seat Height \$
- 15289 19.5" Rear Seat Height \$
- 15290 20.0" Rear Seat Height \$
- 15379 Custom Rear Seat Height \$

**Overall Length \***

- 15251 70" Overall Length \$
- 15255 74" Overall Length (compact shipping not available) \$
- 15380 Custom Overall Length \$





**Steering Handle Type \***

- 65120 Horizontal Steering Handle \$

**Camber Tubes \***

- 75015 2" Cut - Out Camber Tube \$
- 75016 3" Cut - Out Camber Tube \$
- 75017 4" Cut - Out Camber Tube \$
- 75018 Standard Full Camber Tube \$

**Camber Angle \***

- 45005 11 Degree Camber \$
- 45006 12 Degree Camber \$
- 45007 13 Degree Camber \$

**Front Wheel Type \***

- 50145 20" Metal Spoked \$
- 50490 20" Carbon Bike, Carbon Fiber, 40mm Rim Depth, 20mm wide \$
- 50146 20" Corima Carbon Fiber \$
- 50486 20" C7 Trispoke \$

**Rear Wheel Type \***

- 50139 High Performance, 26" (Clincher) \$
- 50143 700C High Performance (Clincher) \$
- 50147 Corima Carbon Fiber Disc, 700C (Tubular) \$
- 50148 Corima Carbon Fiber 4 Spoke, 700C (Tubular) \$
- 50504 C7 AEROMAX, 700C (Tubeless Ready) \$

**Rubber Coated Pushrim Size \***

- 50330 12.0" Diameter Pushrims \$
- 50331 12.5" Diameter Pushrims \$
- 50332 13.0" Diameter Pushrims \$
- 50333 13.5" Diameter Pushrims \$
- 50334 14.0" Diameter Pushrims \$
- 50335 14.5" Diameter Pushrims \$
- 50336 15.0" Diameter Pushrims \$
- 50337 15.5" Diameter Pushrims \$
- 50338 16.0" Diameter Pushrims \$
- 50339 16.5" Diameter Pushrims \$
- 50340 Custom Pushrim Size \$
- 50341 Omit Pushrims -\$

**Frame Color \***

- 55001: Red Simple Red \$
- 55002: Red Tangerine Red \$
- 55003: Red Raspberry Red \$
- 55005: Orange Simple Orange \$
- 55105: Orange Bomber Orange \$
- 55007: Yellow Safety Yellow \$
- 55008: Green Grasshopper Green \$
- 55010: Blue Midnight Blue \$
- 55011: Blue Royal Blue \$
- 55012: Blue Electric Blueberry \$
- 55015: Pink Bubblegum Pink \$
- 55016: White White Snow \$
- 55017: Black Stealth Black \$
- 55018: Black Wet Black \$
- 55019: Black Black Prism \$
- 55020: Silver Silver Metallic \$
- 55023: Grey Stealth Grey \$
- 55050: Red Neon Red \$
- 55051: Orange Neon Orange \$
- 55052: Yellow Neon Yellow \$
- 55053: Green Agricultural Green \$
- 55054: Green Neon Green \$
- 55055: Purple Lilac Purple \$
- 55057: Pink Neon Pink \$
- 55070: Raw Buffed Aluminum \$
- 55090: Bronze Las Vegas Bronze \$
- 55091: Green Mint Green \$
- 55092: Pink Light Pink \$
- 55093: Grey Fighter Jet Grey \$
- 55094: Blue Tiffany Blue \$
- 55095: Blue Carolina Blue \$
- 55113: Khaki \$

### Accessories

- 25073 Safety Flag and Mount \$
- 25022 Wheel Alignment Gage \$
- 25059 Click Strap, Small Single Pad, Racing Chair Fenders \$
- 65098 Spare Compensator \$
- 60014 Clamp-On Footrest \$

### Decal Color: 55151 \*

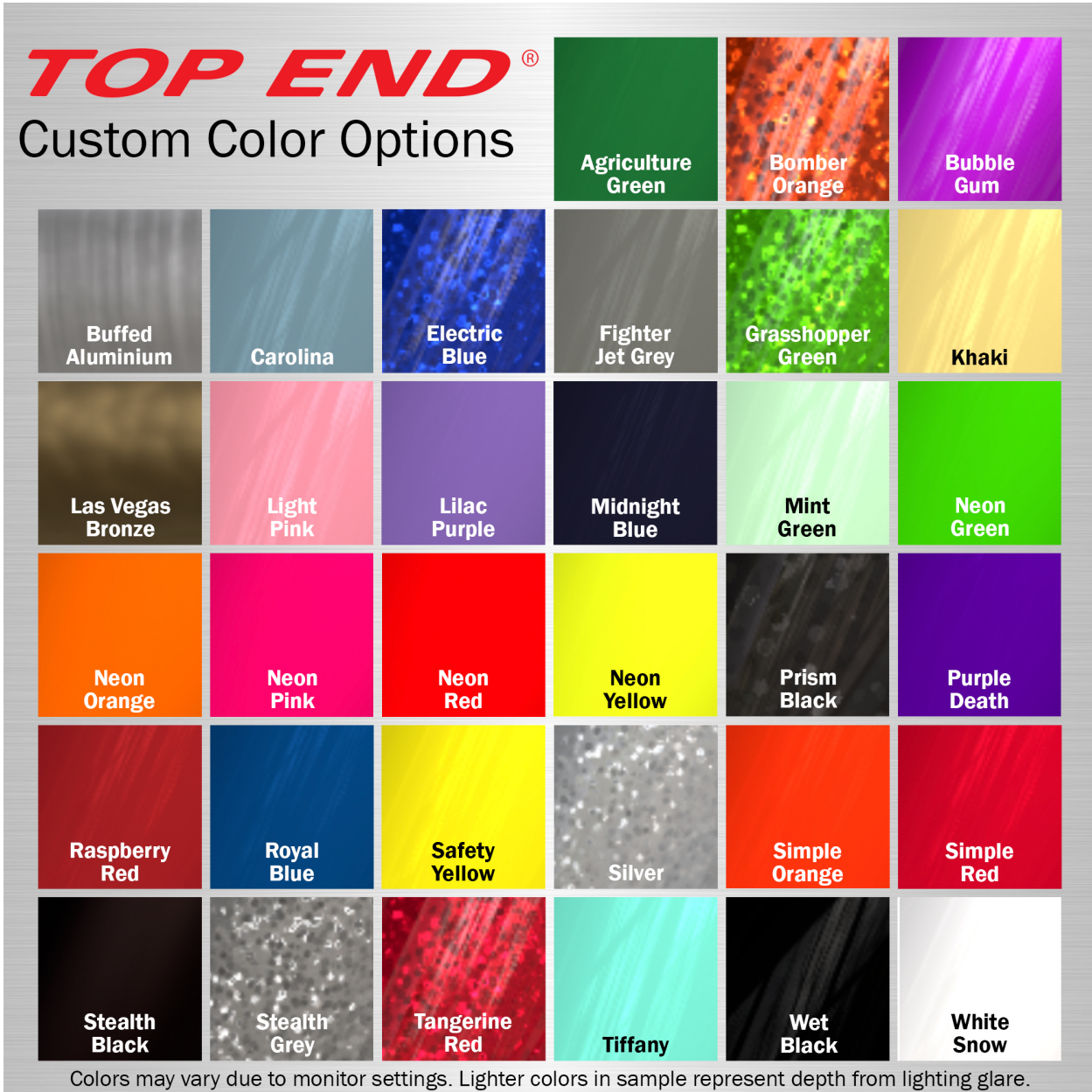
- Wet Black
- Stealth Black
- Midnight Blue
- Royal Blue
- Agriculture Green
- Simple Orange
- Bubblegum Pink
- Lilac Purple
- Simple Red
- Raspberry Red
- White Snow
- Safety Yellow
- Mint Green
- Light Pink
- Fighter Jet Grey
- Tiffany Blue
- Carolina Blue
- Khaki
- Purple Death

### Custom Decals

- 55152: Text- \$ /Decal
- 55153: Logo- \$ /Decal

# TOP END®

## Custom Color Options



Colors may vary due to monitor settings. Lighter colors in sample represent depth from lighting glare.

### Special Request Box

*Please leave any special requests in this box. Note: All special requests are subject to approval, additional charges, and additional lead time.*

This order form is for the Top End Eliminator OSR U Cage Racing Wheelchair.

For assistance please contact us at [49@49bespoke.com](mailto:49@49bespoke.com) or by phone at 416-661-4499 Monday-Friday 10:00 am - 6:00 pm

**DISCLAIMER:** Please contact customer service directly to make changes to an order form. Once the order form has been submitted change of selections cannot be applied. Any changes made after the order has begun production will need to go through approval from management before changes are accepted.