



## Top End Paul Schulte 7000 Series Basketball Chair



Date \*

dd-MMM-yyyy



Distributed in Canada by 49 Bespoke Inc.

137 Buttermilk Avenue, Concord, Ontario, L4K 3X5

Tel: 416.661.4499

Fax: 416.661.8903

49@49bespoke.com

www.49bespoke.com

Order Request Type: \*

- Please email a quote.
- Please put this order into production.

Contact Name \*

First Name

Last Name

Contact Phone Number \*

Contact Email Address \*

**Billing Address \***

*Street Address*

*Address Line 2*

*City*

*State/Region/Province*

*Postal / Zip Code*

*Country*

**Ship to name, phone and email same as Contact**

Yes

**Ship to Name \***

*First Name*

*Last Name*

*This information is about the end user.*

**Shipping Address \***

*Street Address*

*Address Line 2*

*City*

*State/Region/Province*

*Postal / Zip Code*

*Country*

**Ship to Dealer? \***

Yes

No

**User Name**

**Measurements taken by:**

**Measurer Email \***

10002: Top End Schulte 7000 Series Basketball Wheelchair \$

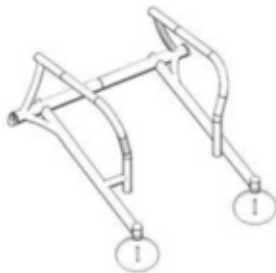


Upgrade Your Game with the Paul Schulte PS7 Series Wheelchair – Precision, Speed, and Customization for Peak Performance on the Court!

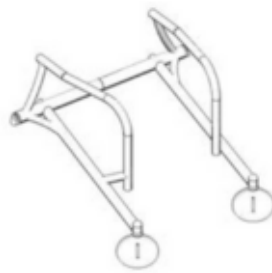
Frame Type: \*

- 15168: Standard Seat Style Frame \$
- 15169: Tapered Seat Style Frame \$
- 15173: Heavy Duty Standard Seat Style Frame \$

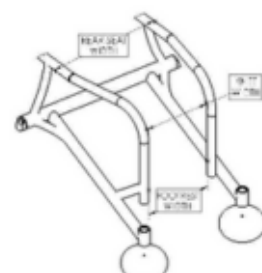
NOTE: The weight capacity for a standard frame is 250lbs.



Standard and Heavy  
Duty Seat Style  
Frame



Tapered Seat Style  
Frame



Tubing size is 1.0"

**Seat Type \***

- 75013: Standard Seat Upholstery- \$
- 75007: Solid Seat With Welded Rigidizer Bars- \$
- 75035: Removable Solid Seat With Standard Seat Upholstery- \$

**Seat Width: \***

- 15009: 12.0" Seat Width \$
- 15010: 12.5" Seat Width \$
- 15011: 13.0" Seat Width \$
- 15012: 13.5" Seat Width \$
- 15013: 14.0" Seat Width \$
- 15014: 14.5" Seat Width \$
- 15015: 15.0" Seat Width \$
- 15016: 15.5" Seat Width \$
- 15017: 16.0" Seat Width \$
- 15018: 16.5" Seat Width \$
- 15019: 17.0" Seat Width \$
- 15020: 17.5" Seat Width \$
- 15021: 18.0" Seat Width \$
- 15022: 18.5" Seat Width \$
- 15397: Custom Seat Width \$

**Seat Depth: \***

- 15038: 12.0" Seat Depth, \$
- 15040: 13.0" Seat Depth, \$
- 15042: 14.0" Seat Depth, \$
- 15044: 15.0" Seat Depth, \$
- 15046: 16.0" Seat Depth, \$
- 15048: 17.0" Seat Depth, \$
- 15050: 18.0" Seat Depth, \$
- 15052: 19.0" Seat Depth, \$
- 15399: Custom Seat Depth, \$

**Front Seat to Floor: \***

- 15063: 16.0" Front Seat to Floor \$
- 15064: 16.5" Front Seat to Floor \$
- 15065: 17.0" Front Seat to Floor \$
- 15066: 17.5" Front Seat to Floor \$
- 15067: 18.0" Front Seat to Floor \$
- 15068: 18.5" Front Seat to Floor \$
- 15069: 19.0" Front Seat to Floor \$
- 15070: 19.5" Front Seat to Floor \$
- 15071: 20.0" Front Seat to Floor \$
- 15072: 20.5" Front Seat to Floor \$
- 15073: 21.0" Front Seat to Floor \$
- 15167: Custom Front Seat to Floor Height \$

**Rear Seat to Floor \***

- 15080: 14.5" Rear Seat to Floor \$
- 15081: 15.0" Rear Seat to Floor \$
- 15082: 15.5" Rear Seat to Floor \$
- 15083: 16.0" Rear Seat to Floor \$
- 15084: 16.5" Rear Seat to Floor \$
- 15085: 17.0" Rear Seat to Floor \$
- 15086: 17.5" Rear Seat to Floor \$
- 15087: 18.0" Rear Seat to Floor \$
- 15088: 18.5" Rear Seat to Floor \$
- 15089: 19.0" Rear Seat to Floor \$
- 15090: 19.5" Rear Seat to Floor \$
- 15091: 20.0" Rear Seat to Floor \$
- 15092: 20.5" Rear Seat to Floor \$
- 15093: 21.0" Rear Seat to Floor \$
- 15166: Custom Rear Seat to Floor Height \$

**Adjustable Back Height:**

- 15126: Adjustable 8" to 11" \$
- 15127: Adjustable 10" to 14" \$
- 15128: Adjustable 14" to 18" \$

**Extra Frame Depth: \***

- 15142: Standard - 1.0" beginning at end of seat depth \$
- 15400: Custom Extra Frame Depth \$

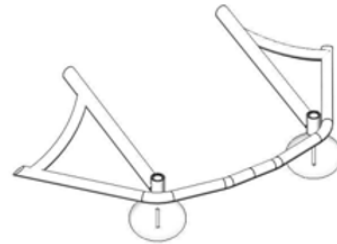
*Choose between adjustable and fixed back heights. Fixed Options below.*

**Fixed Back Height:**

- 15101: Fixed at 8.0" \$
- 15103: Fixed at 9.0" \$
- 15105: Fixed at 10.0" \$
- 15107: Fixed at 11.0" \$
- 15109: Fixed at 12.0" \$
- 15132: Custom Fixed Back Height \$

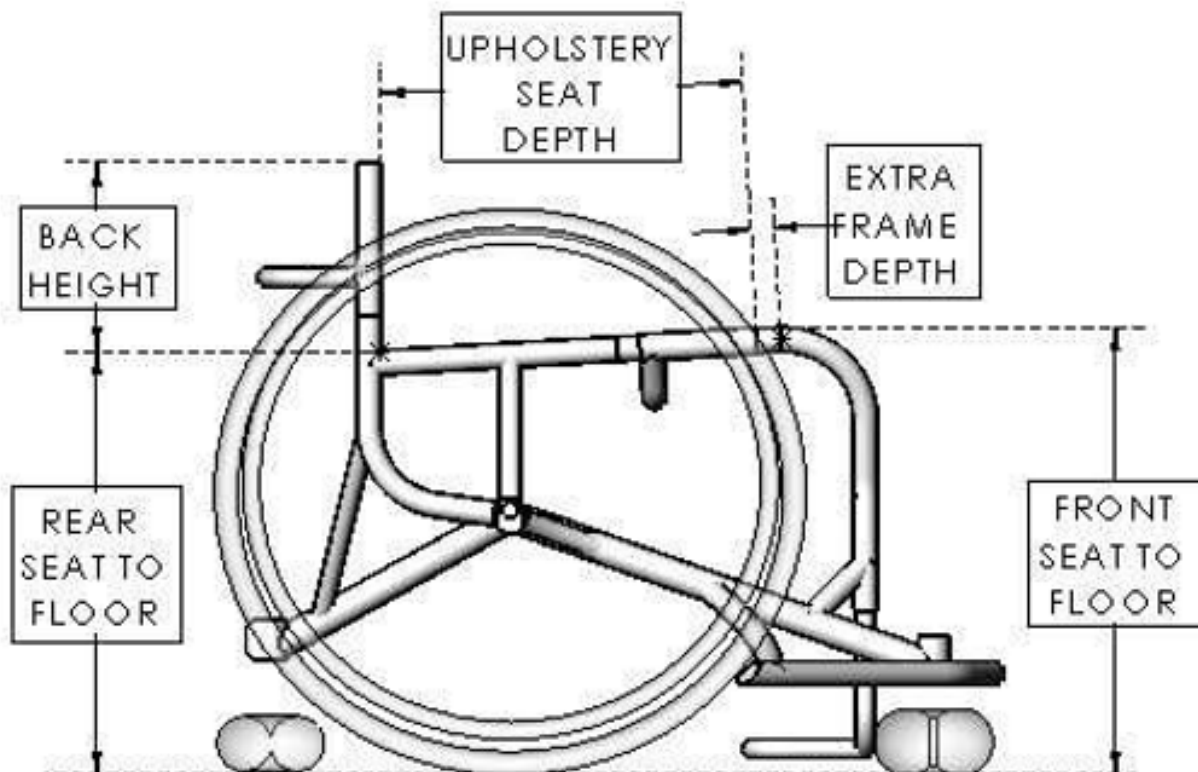
**Anti-Tip \***

- 20024: Adjustable Height, Double \$
- 20030: Adjustable Height, Single \$



Four Bend Wing

The PS7 comes standard with a Four Bend Wing.



### Click Strap Options

- 25109 Click Strap, Small, Installed at Waist \$ (19"-32")
- 25105 Click Strap, Medium, Installed at Waist \$ (22"-40")
- 25104 Click Strap, Large, Installed at Waist \$ (24"-43")
- 25106 Click Strap, Small 8" Pad, Installed Over Knees \$
- 25107 Click Strap, Large 12" Pad, Installed Over Knees \$
- 25108 Click Strap, X-Large 16" Pad, Installed Over Knees \$
- 60030 Click Strap, Small, Footrest \$90 (9.5"-16")

### Recommended KNEE Strap Sizing:

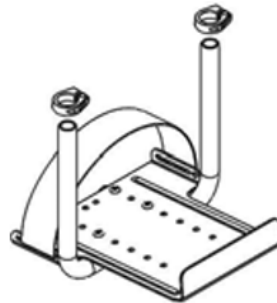
25106 Small: Seat Widths 12" and under

25107 Large: Seat Widths 13", 14", 15"

25108 X-Large: Seat Widths 16" and higher

### Footrest Plate: \*

- 60024 Telescoping, No Plastic Cover \$
- 60026 Telescoping, with Plastic Cover \$
- 60036 Telescoping, Platform Plate \$



Telescoping Style  
Footrest  
(shown with platform plate)



Telescoping Style  
Footrest  
(shown with no plastic cover)

### Footrest Click Strap Option:

- 60030: Click Strap Small Installed on Footrest \$

### Footrest Width: \*

- 60073: Standard Footrest Width is Seat Width Minus 5.0" (Minimum Footrest Width – 9.0") \$
- 60078: Custom Footrest Width \$

### Footrest Height from Floor \*

- 60022: 1.0" - 5.5" From Floor
- 60023: 4.0" - 7.0" From Floor \$

### Footrest Location: \*

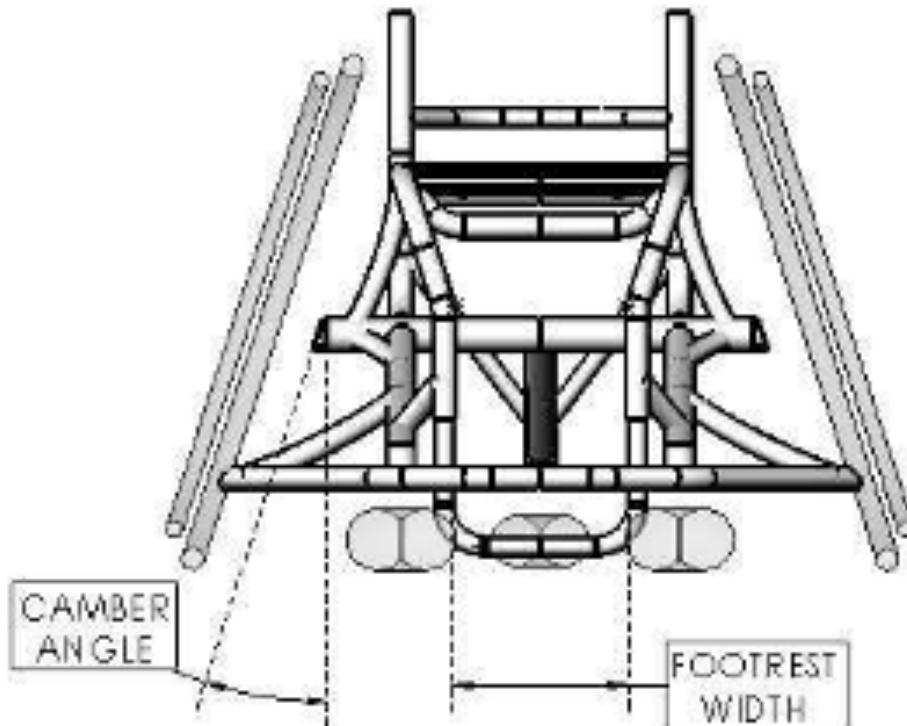
- 60032: Custom Footrest Location May specify front frame angle or distance from front of footrest to center of headtube \$
- 60033: Standard Footrest Location (95 Degrees - Front Frame to Footrest) \$

**Camber Angle \***

- 45008 15 Degree Camber \$
- 45009 18 Degree Camber \$
- 45010 20 Degree Camber \$

**Wheelbase \***

- 75014 Standard Wheelbase \$
- 75023 Custom Wheelbase \$



**Center of Gravity: Fixed**

- 45052: Fixed at 4.5" with Welded Backrest \$
- 45053: Fixed at 5.0" with Welded Backrest \$
- 45054: Fixed at 5.5" with Welded Backrest \$
- 45055: Fixed at 6.0" with Welded Backrest \$
- 45056: Fixed at 6.5" with Welded Backrest \$
- 45057: Fixed at 7.0" with Welded Backrest \$
- 45058: Fixed at 7.5" with Welded Backrest \$
- 45059: Fixed at 8.0" with Welded Backrest \$
- 45079: Custom Fixed Center of Gravity \$

*Choose Between fixed or adjustable Center of Gravity.*

**Center of Gravity: Adjustable:**

- 45075: Adjustable 3" to 5" with Adjustable Angle Bolt - On Backrest \$
- 45076: Adjustable 4" to 6" with Adjustable Angle Bolt - On Backrest \$
- 45080: Adjustable 5" to 7" with Adjustable Angle Bolt - On Backrest \$

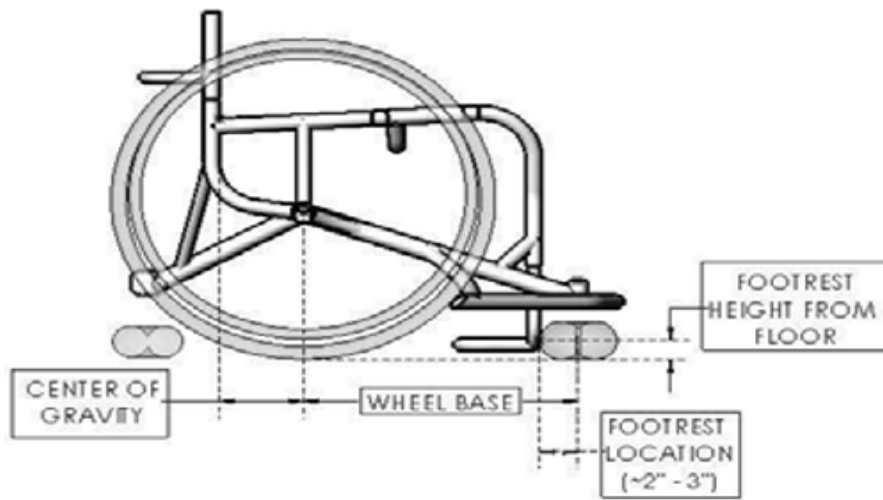
*Choose between adjustable or fixed Center of Gravity.*



Fixed Center of Gravity



Adjustable Center of Gravity



**Side Guards: Fixed Aluminum**

- 20004: Fixed Aluminum: Clamp - On \$
- 20005: Fixed Aluminum: 6" Above Seat \$
- 20015: Fixed Aluminum: Custom Height \$
- 20016: Omit Side Guards \$
- 20020: Fixed Aluminum: Same Height as Wheel \$

*Choose between Fixed Aluminum or Welded Tube Side Guards*

**Side Guards: Welded**

- 20006: Welded Tube, 6" Above Seat \$
- 20018: Welded Tube: Custom Height \$

*Choose between Welded Tube or Fixed Aluminum Side Guards*

**Seat Upholstery Style: \***

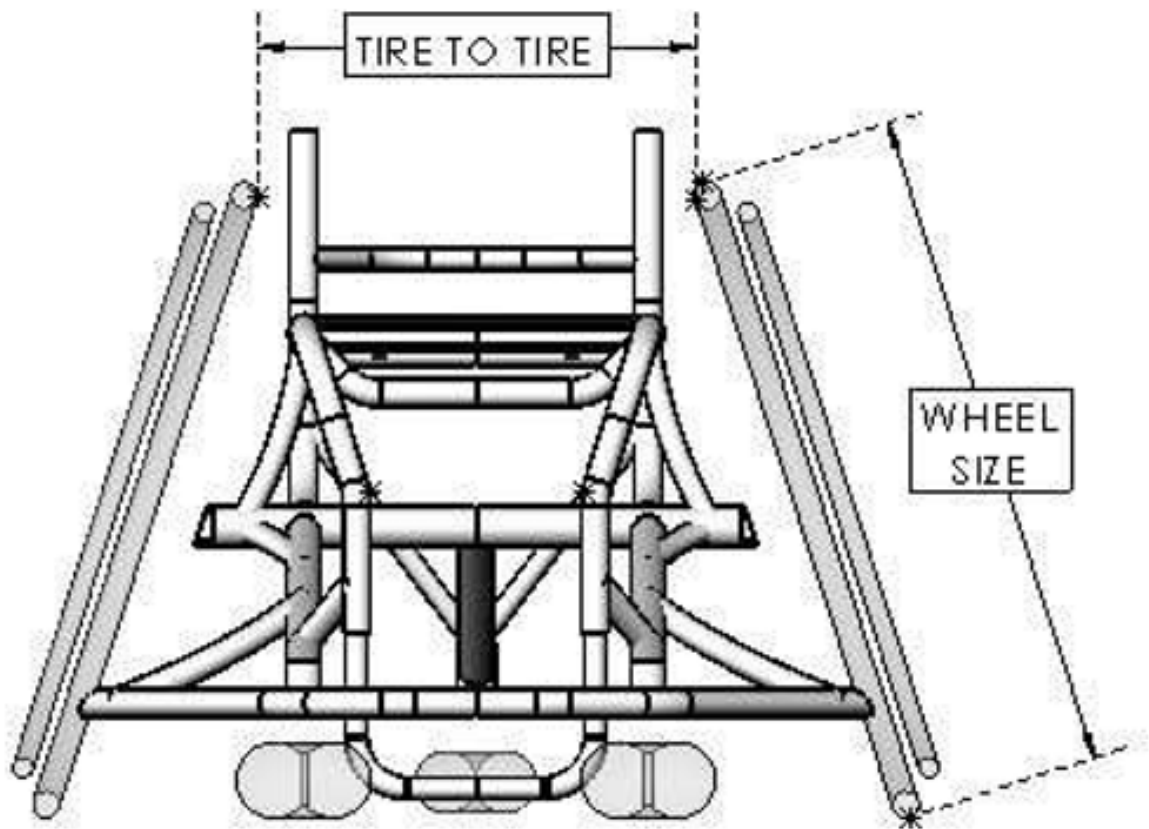
- 75007: Solid Seat \$
- 75013: Standard Adjustable Tension Seat Upholstery \$

**Seat Cushion: \***

- 30005: 2" Soft Foam Cushion \$
- 30006: 3" Soft Foam Cushion \$
- 30008: 2" Hard Foam Cushion \$

**Back Upholstery Style: \***

- 30004: Adjustable Tension Back Upholstery with Leather Flaps and Aluminum Dome Plugs (see definitions) \$
- 30012: Adjustable Tension Back Upholstery \$



**Handrims: \***

- 50297: 6 Tabs, Aluminum, Anodized \$
- 50299 12 Tabs, Aluminum, Anodized (700C Wheel Size Only) \$

**Wheel Size: \***

- 50190: 24" (540) Only available with 6-tab hand rims \$
- 50191: 25" (559) Only available with 6-tab hand rims \$
- 50192: 26" (590) Only available with 6-tab hand rims \$
- 50193: 700C (Spinergy Only) Only available in 12-tab hand rims \$

**Wheel Style: \***

- 50292: High Performance –\$
- 50293: Spinergy SLX Standard Hub and Rim Color \$
- 50294: Spinergy XSLX Standard Hub and Rim Color \$
- 50295: Spinergy SLX Custom Hub and Rim Color \$690 (This option adds 60 days to the lead time of this product.)
- 50296: Spinergy XSLX Custom Hub and Rim Color \$690 (This option adds 60 days to the lead time of this product.)

**Note: The standard color for Spinegy hubs and rims is Wet Black**

Spoke Color \*



White Spokes-  
TE50282



Red Spokes- TE50273



Blue Spokes- TE50276



Green Spokes-  
TE50275



Orange Spokes-  
TE50279



Yellow Spokes-  
TE50274



Pink Spokes- TE50277



Purple Spokes-TE50278

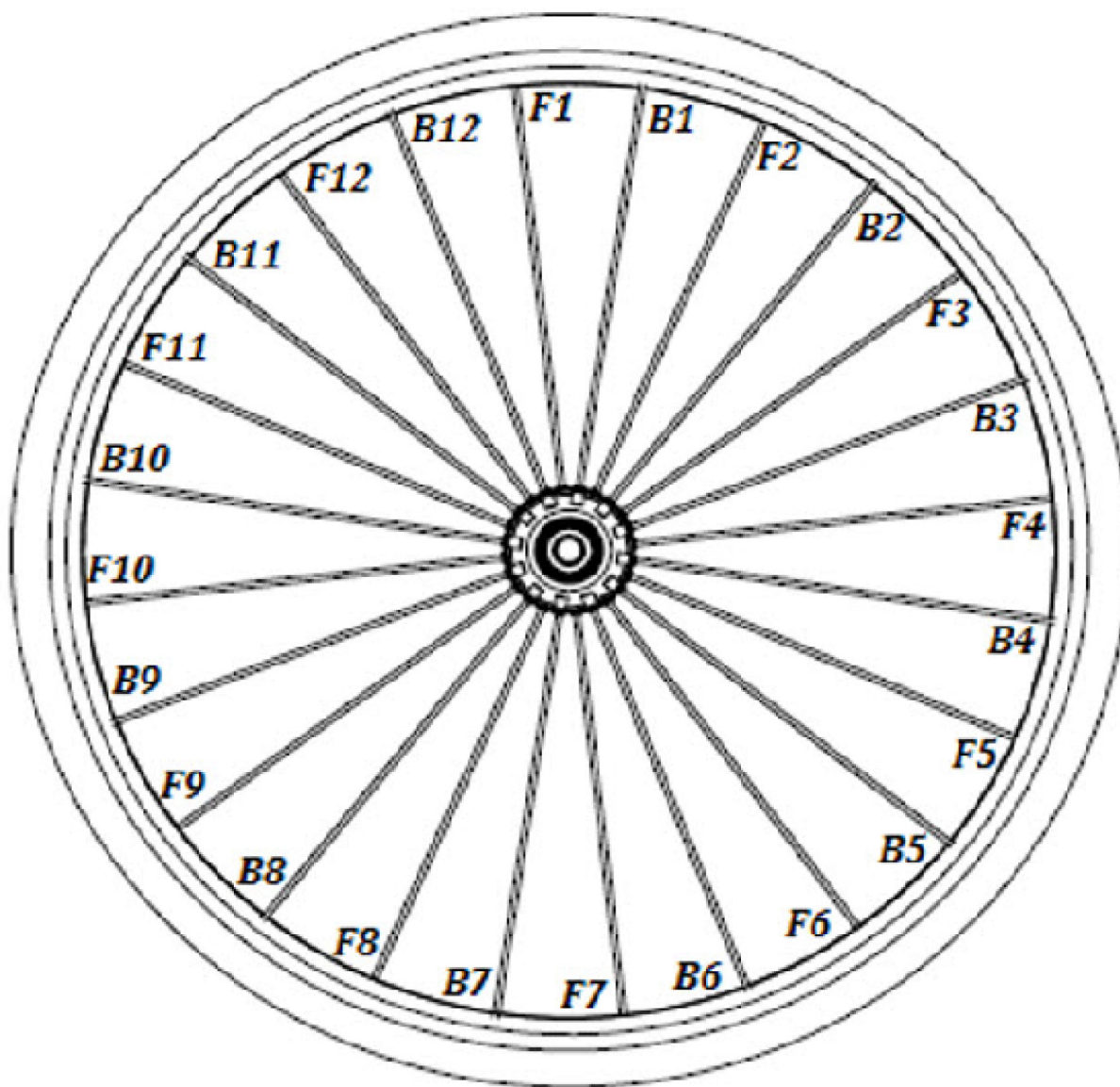


Black Spokes-TE 50280



Custom \$





**Handrim mounting: \***

- 50308: Wide Mount \$
- 50309: Close Mount \$
- 50310: Close Mount with Cut Tabs \$

**Tires: \***

- 50216: Primo Grey \$
- 50243 IRC Red Available for (700C Wheel Size Only) \$
- 50244 IRC Grey Available for (700C Wheel Size Only) \$

**Tire to Tire \***

- 15155 Standard Tire to Tire (Seat Width Plus 2.5")\$
- 15157: Custom Tire to Tire \$

**Accent Color: Side Guard, Forks, Foot Clamps, Foot Plate \***

- 55147: Standard Accent Color Black: Side Guard, Forks, Foot Clamps, Foot Plate \$
- 55148: Custom Accent Color Upgrade: Side Guard, Forks, Foot Clamps, Foot Plate \$

**Frame color: \***

- 55001: Red-Simple Red \$
- 55002: Red-Tangerine Red \$
- 55003: Red-Raspberry Red \$
- 55005: Orange-Simple Orange \$
- 55105: Orange Bomber Orange \$
- 55007: Yellow-Safety Yellow \$
- 55008: Green-Grasshopper Green \$
- 55010: Blue-Midnight Blue \$
- 55011: Blue-Royal Blue \$
- 55012: Blue-Electric Blueberry \$
- 55015: Pink-Bubblegum Pink \$
- 55016: White -White Snow \$
- 55017: Black-Stealth Black \$
- 55018: Black-Wet Black \$
- 55019: Black-Black Prism \$
- 55020: Silver-Silver Metallic \$
- 55023: Grey-Stealth Grey \$
- 55050: Red-Neon Red \$
- 55051: Orange-Neon Orange \$
- 55052: Yellow-Neon Yellow \$
- 55053: Green-Agriculture Green \$
- 55054: Green-Neon Green \$
- 55055: Purple-Lilac Purple \$
- 55056: Purple- Purple Death \$
- 55057: Pink-Neon Pink \$
- 55070: Raw-Buffered Aluminum \$
- 55090: Bronze- Las Vegas Bronze \$
- 55091: Green- Mint Green \$
- 55092: Pink- Light Pink \$
- 55093: Grey-Fighter Jet Grey \$
- 55094: Blue-Tiffany Blue \$
- 55095: Blue-Carolina Blue \$
- 55113: Khaki \$

**Decal Color-55151 \***

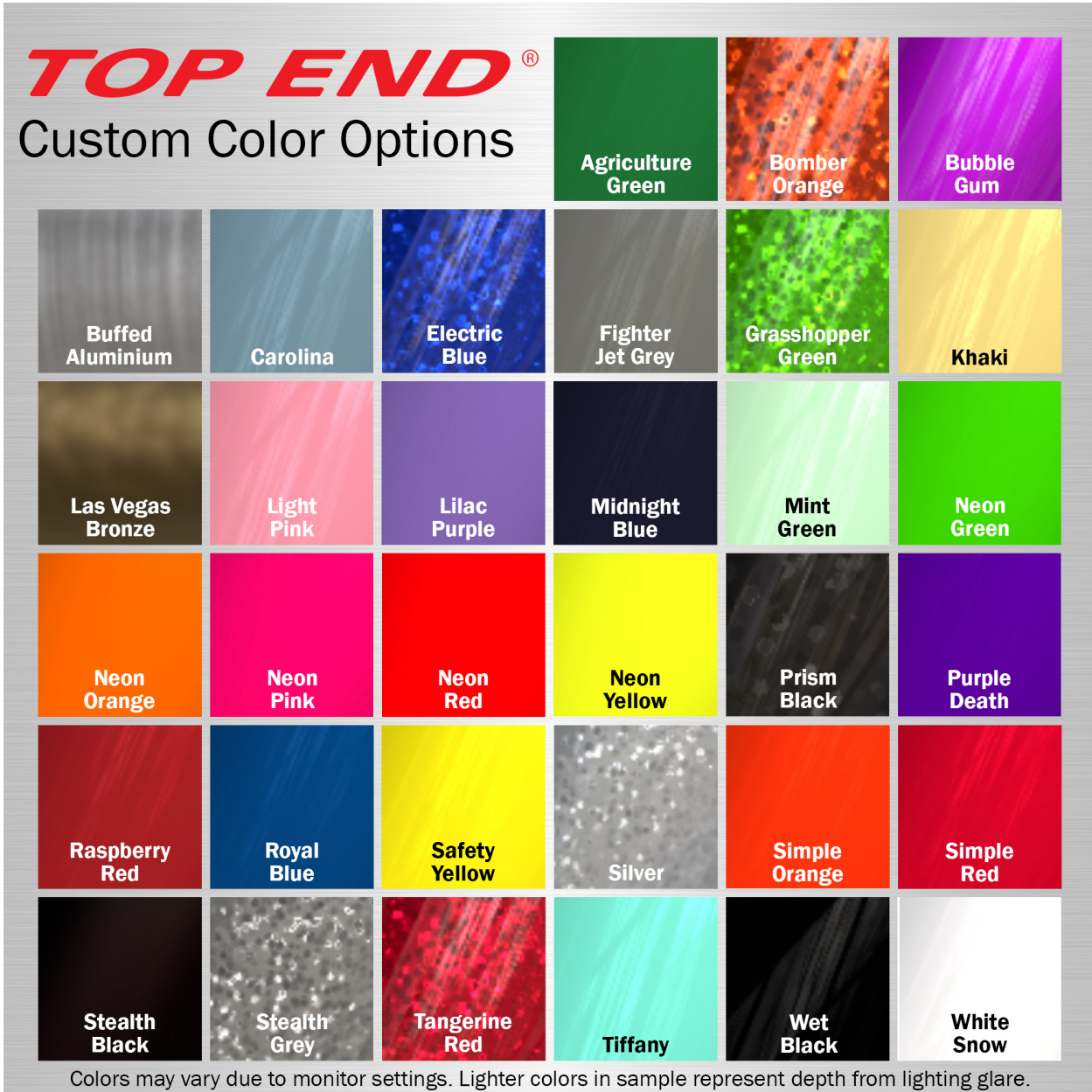
- Simple Red
- Raspberry Red
- Simple Orange
- Safety Yellow
- Khaki
- Agriculture Green
- Mint Green
- Tiffany Blue
- Carolina Blue
- Royal Blue
- Midnight Blue
- Wet Black
- Stealth Black
- Fighter Jet Grey
- White Snow
- Light Pink
- Bubble Gum Pink
- Purple Death
- Lilac Purple

**Custom Decal**

- Text- \$ /Decal
- Logo- \$ /Decal

# TOP END®

## Custom Color Options



Colors may vary due to monitor settings. Lighter colors in sample represent depth from lighting glare.

### Special Request Box

*Please leave any special requests in this box. Note: All special requests are subject to approval, additional charges, and additional lead time.*

This order form is for the Top End Paul Schulte 7000 Signature Basketball Wheelchair.

For more information about the PS7 please visit our website at <https://49bespoke.com>.

For assistance please contact us at [49@49bespoke.com](mailto:49@49bespoke.com) or by phone at 416-661-4499 Monday-Friday 10:00 am - 6:00 pm

**DISCLAIMER:** Please contact customer service directly to make changes to an order form. Once the order form has been submitted change of selections cannot be applied. Any changes made after the order has begun production will need to go through approval from management before changes are accepted.