



## Top End Pro Tennis Chair



Date \*

*dd-MMM-yyyy*



**Distributed in Canada by 49 Bespoke Inc.**

137 Buttermilk Avenue, Concord, Ontario, L4K 3X5

Tel: 416.661.4499

Fax: 416.661.8903

49@49bespoke.com

www.49bespoke.com

Order Request Type \*

Quote

Sales Order

Contact Name \*

*First Name*

*Last Name*

Phone Number \*

Email Address \*

**Billing Address**

*Street Address*

*Address Line 2*

*City*

*State/Region/Province*

*Postal / Zip Code*

*Country*

**Ship to name, phone and email same as Contact**

Yes

**Ship To Name \***

*First Name*

*Last Name*

**Shipping Address \***

*Street Address*

*Address Line 2*

*City*

*State/Region/Province*

*Postal / Zip Code*

*Country*

**Ship to Dealer? \***

Yes.

No.

**User Name**

**Measurements taken by:**

**Measurers Email \***

10001 Top End Pro Tennis Wheelchair \$



Pro Tennis Wheelchair: Elevate Your Game with Tailored Performance and Durable Aluminum Frame. Customize for Enhanced Grip and Responsiveness!

- The ProTN comes fully assembled from our facility.
- Center of Gravity is adjustable between 3.5" to 5.5".
- Black Nylon Upholstery
- Screw on Seat Upholstery
- Includes Calf Straps
- Primo Grey Tires
- 6 Aluminum Anodized Tabs

**Frame Type \***

- 15168 Standard Seat Style Frame \$
- 15173 Heavy Duty Standard Seat Style Frame \$

**Sizing: Seat Width \***

- 15005: 10" Seat Width \$
- 15007: 11" Seat Width \$
- 15009: 12" Seat Width \$
- 15011: 13" Seat Width \$
- 15013: 14" Seat Width \$
- 15015: 15" Seat Width \$
- 15017: 16" Seat Width \$
- 15019: 17" Seat Width \$
- 15021: 18" Seat Width \$
- 15023: 19" Seat Width \$
- 15025: 20" Seat Width \$

**Sizing: Seat Depth \***

- 15034: 10" Seat Depth \$
- 15036: 11" Seat Depth \$
- 15038: 12" Seat Depth \$
- 15040: 13" Seat Depth \$
- 15042: 14" Seat Depth \$
- 15044: 15" Seat Depth \$
- 15046: 16" Seat Depth \$
- 15048: 17" Seat Depth \$
- 15050: 18" Seat Depth \$

**Sizing: Back Height \***

- 15126: Adjustable 8" to 11" \$
- 15127: Adjustable 10" to 14" \$
- 15128: Adjustable 14" to 18" \$

**Seat Height: Seat to Floor \***

- 15099: Adjustable Front: 19" to 21" (Tall) Adjustable Rear: 15" to 21" \$
- 15100: Adjustable Front: 17" to 19" (Short) Adjustable Rear: 13" to 17" \$

**Side Guards: \***

- 20016: Omit Side Guards \$
- 20019 Fixed, Aluminum, Bolt-Thru \$

**Back Style: \***

- 30004: Adjustable Tension Back Upholstery with Leather Flaps \$
- 30012: Adjustable Tension Back Upholstery \$

**Seat Cushions: \***

- 30005: 2" Soft Cushion \$
- 30006: 3" Soft Cushion \$

**Camber Angle: \***

- 45008: 15 Degree Camber \$
- 45009: 18 Degree Camber \$
- 45010: 20 Degree Camber \$

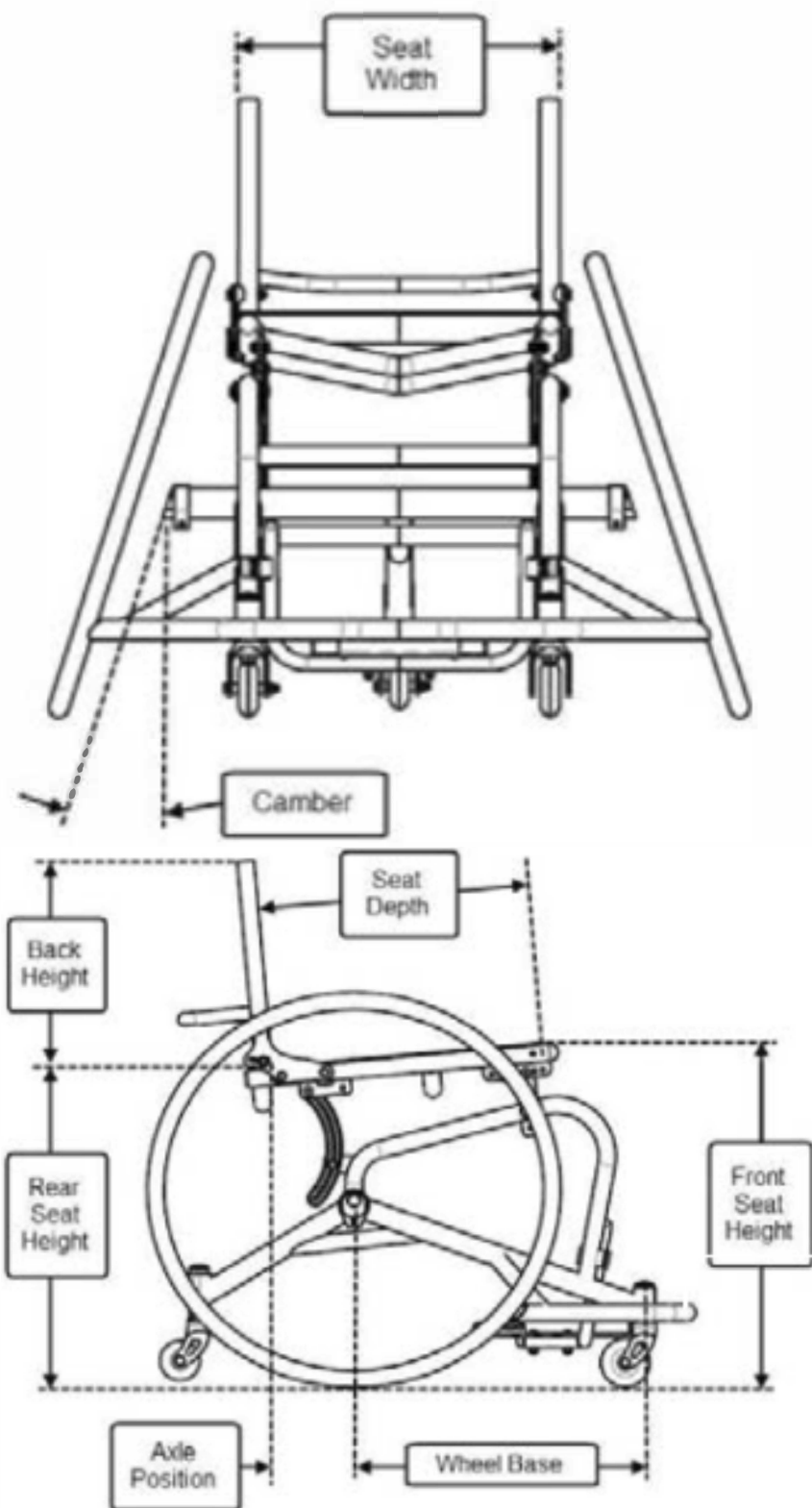
**Safety Upgrades:**

- 25004: Rear Frame Protector \$

*optional*

**Positioning accessories:**

- 25013: Hook and Loop Strap \$



CAMBER ANGLE GUIDE:			
Seat Width:	10" - 13"	14" - 16"	17" - 18"
Recommended Camber Degree	20°	18°	15°

**Click Strap Options**

- 25109 Click Strap, Small, Installed at Waist \$ (19"-32")
- 25105 Click Strap, Medium, Installed at Waist \$ (22"-40")
- 25104 Click Strap, Large, Installed at Waist \$ (24"-43")
- 25106 Click Strap, Small 8" Pad, Installed Over Knees \$
- 25107 Click Strap, Large 12" Pad, Installed Over Knees \$
- 25108 Click Strap, X-Large 16" Pad, Installed Over Knees \$
- 60030 Click Strap, Small, Footrest \$ (9.5"-16")

**Recommended KNEE Strap Sizing:**

25106 Small: Seat Widths 12" and under  
25107 Large: Seat Widths 13", 14", 15"  
25108 X-Large: Seat Widths 16" and higher

**Removable Seat Extension Handle**

- 20040 Right Side Only \$
- 20041 LeftSide Only \$
- 20042 Both Left and Right Side \$

**Handrim Mounting: \***

- 50308: Standard Mount \$
- 50309: Close Mount \$
- 50310: Close Mount with Cut Tabs \$

**Wheel Size: \***

- 50190: 24" (540) \$
- 50191: 25" (559) \$
- 50192: 26" (590) \$

<b>WHEEL SIZE GUIDE:</b>			
<b>Rear Seat Height:</b>	<b>Short</b>	<b>Short or Tall</b>	<b>Tall</b>
<b>Player Specifications:</b>	<i>Junior's/ Short Arms</i>	<i>Adult/3.0 or Lower</i>	<i>Adult/3.5 or Higher</i>
<b>Recommended Wheel Size:</b>	<b>24"</b>	<b>25"</b>	<b>26"</b>

**Please note: The standard color for Spinergy hub and rims is Black.**

**Wheel Style: Spinerger Wheels \***

- 50196- High Performance Wheels \$
- 50197 Spinerger SLX Standard Hub/Rim color \$
- 50198 Spinerger XSLX Standard Hub/Rim \$
- 50325 Spinerger SLX Custom Hub/Rim color \$ (This option adds 60 days to the lead time of this product.)
- 50326 Spinerger XSLX Custom Hub and Rim Color \$ (This option adds 60ndays to lead time on product.)

**Spoke Color \***



Red Spokes- TE50273



White Spokes-  
TE50282



Blue- TE50276 Spokes



Green Spokes-  
TE50275



Orange Spokes-  
TE50279



Yellow Spokes-  
TE50274



Pink Spokes- TE50277



Purple Spokes-TE50278



Black Spokes-TE 50280



Custom Spokes \$

**Wheel Base \***

- 75066 15" Wheelbase \$
- 75068 17" Wheelbase \$
- 75070 19" Wheelbase \$

**Is front spoke color the same?**

- Yes
- No

**Is back spoke color the same?**

- Yes
- No



**Accent Color Paint Color Upgrade 1: Foot Tubing, Side Guards, Forks**

- 55089 Custom Accent Color Upgrade: Foot Tubing, Side Guards, Forks \$
- 55149 Standard Accent Color Black: Foot Tubing, Side Guards, Forks \$

**Accent Paint Color Upgrade 2: Foot Plate, Foot Clamps, Seat Links**

- 55112 Custom Accent Color Upgrade: Foot Plate, Foot Clamps, Seat Links \$
- 55150 Standard Accent Color Black: Foot Plate, Foot Clamps, Seat Links \$

**Frame Color: \***

- 55001: Red- Simple Red \$
- 55002: Red- Tangerine Red \$
- 55003: Red- Raspberry Red \$
- 55005: Orange- Simple Orange \$
- 55105: Orange Bomber Orange \$
- 55007: Yellow- Safety Yellow \$
- 55008: Green- Grasshopper Green \$
- 55010: Blue- Midnight Blue \$
- 55011: Blue- Royal Blue \$
- 55012: Blue- Electric Blueberry \$
- 55015: Pink- Bubblegum Pink \$
- 55016: White- White Snow \$
- 55017: Black- Stealth Black \$
- 55018: Black- Wet Black \$
- 55019: Black- Black Prism \$
- 55020: Silver- Silver Metallic \$
- 55023: Grey- Stealth Grey \$
- 55050: Red- Neon Red \$
- 55051: Orange Neon Orange \$
- 55052: Yellow- Neon Yellow \$
- 55053: Green- Agricultural Green \$
- 55054: Green- Neon Green \$
- 55055: Purple- Lilac Purple \$
- 55056: Purple- Purple Death \$
- 55057: Pink- Neon Pink \$
- 55070: Raw- Buffed Aluminum \$
- 55090: Bronze- Las Vegas Bronze \$
- 55091: Green- Mint Greenn \$
- 55092: Pin- Light Pink \$
- 55093: Grey- Fighter Jet Grey \$
- 55094: Blue- Tiffany Blue \$
- 55095: Blue- Carolina Blue \$
- 55113: Khaki

**Decal Color- 55151 \***

- Simple Red
- Raspberry Red
- Simple Orange
- Safety Yellow
- Khaki
- Agriculture Green
- Mint Green
- Tiffany Blue
- Carolina Blue
- Royal Blue
- Midnight Blue
- Wet Black
- Stealth Black
- Fighter Jet Grey
- White Snow
- Light Pink
- Bubble Gum Pink
- Purple Death
- Lilac Purple
- Custom: \$

**Custom Decals**

- Text- \$ /Decal
- Logo- \$ /Decal

# TOP END®

## Custom Color Options



Colors may vary due to monitor settings. Lighter colors in sample represent depth from lighting glare.

### Special Request Box

*Please leave any special requests in this box. Note: All special requests are subject to approval, additional charges, and additional lead time.*

This order form is for the Top End Pro Tennis Wheelchair.

For assistance please contact us at [49@49bespoke.com](mailto:49@49bespoke.com) or by phone at 416-661-4499 Monday-Friday 10:00 am - 6:00 pm

**DISCLAIMER:** Please contact customer service directly to make changes to an order form. Once the order form has been submitted change of selections cannot be applied. Any changes made after the order has begun production will need to go through approval from management before changes are accepted.