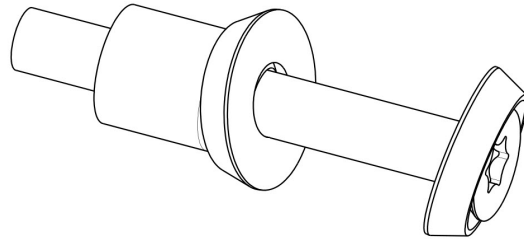


Push Rim Fitting Guide: Urban and LT

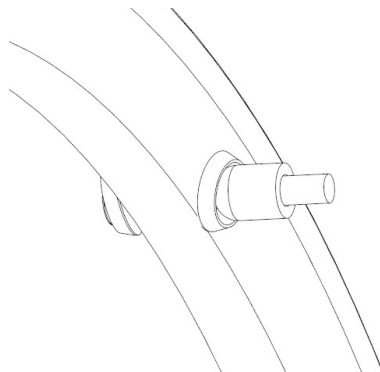
January 2025

Step 1.



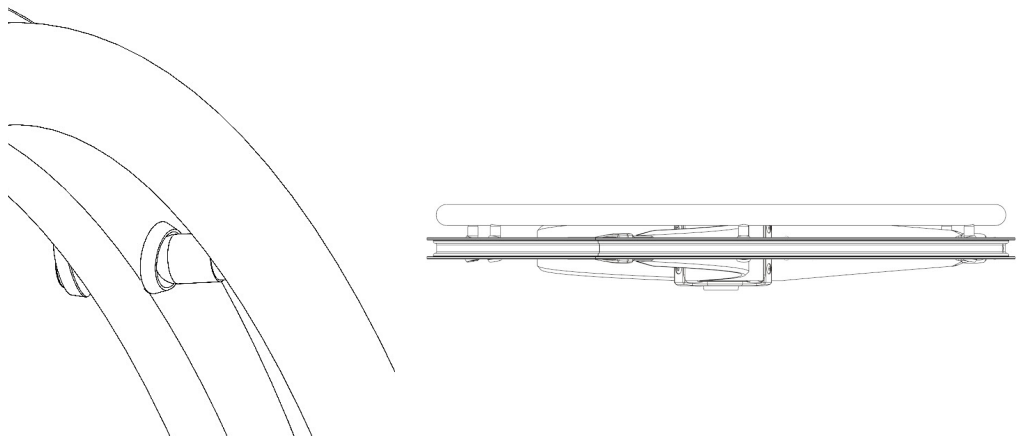
Place metal washer onto push rim spacer bolt, then place through wheel rim and fit another metal washer and push rim spacer. Make sure the bolt head is facing away from the chair. Do this for all 6 bolts. For a more secure fit, apply a small amount of threadlocker 243 to the tip of the bolt before fixing.

Step 2.



Partially tighten one screw into the push rim, then repeat with the opposite screw to ensure the push rim is correctly aligned with wheel rim. Do this for all 6 bolts.

Step 3.

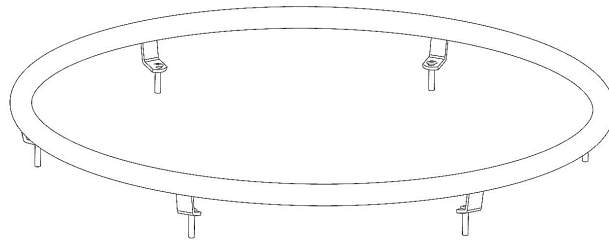


Tighten all push rim fitting screws until the push rim is firmly secured in place.

Push Rim Fitting Guide: Extreme

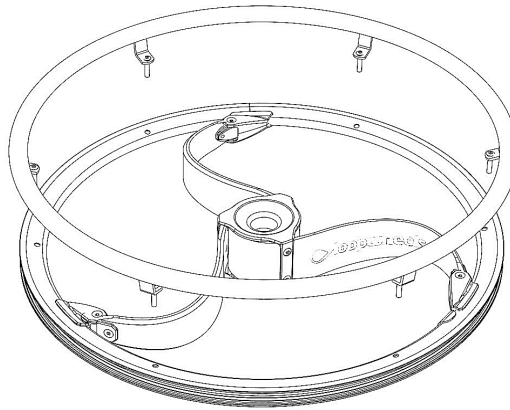
January 2025

Step 1.



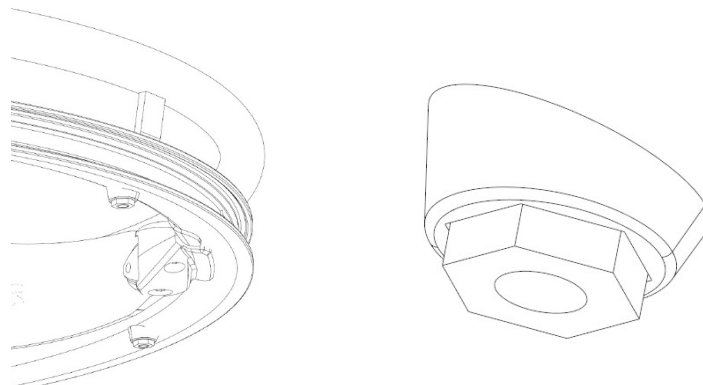
Push one bolt through each bent tab of the push rim. Make sure the head of the bolts face outwards (away from the chair).

Step 2.



Line up the bolts with each of the Rim holes on the Loopwheel and push them through.

Step 3.



Using a tool to hold the nuts still, screw each bolt into the corresponding nut (x6). The nuts should be in a housing that allows them to sit flush against the inner rim of the Loopwheel, however, if they are separate push the nut back into the holder. Make sure the nut has the triangle face pointing out of the holder.