



TiLite X - Order Form



Dealer Name*: _____ Account #*: _____
 City, State, Zip: _____
 Phone: _____ Email: _____ ATP: _____
 Rep Name: _____ P.O. Number: _____ Quote Number: _____
 Client Reference*: _____ Client Weight: _____
 Special considerations that need to be addressed here (e.g., diagnosis): _____ **Required field*

Frame Style

Aluminum Folding Frame <i>Full adjustability.</i>	\$ 2,795.00
250lb Weight Limit	Standard
275lb Weight Limit	No charge
Aluminum Folding Frame with Transit Tie-Downs <i>Full adjustability.</i>	\$ 2,995.00
250lb Weight Limit	Standard
275lb Weight Limit	No charge
Heavy Duty Frame <i>350lb weight limit. Available with 18"-22" seat widths and 16"-20" seat depths. Requires aluminum casters, provided at no charge.</i>	\$ 995.00

Transit Options

Transit Tie-Down <i>Consists of four tie-down brackets. Not available with heavy duty frame, fixed height non-removable armrest or swing away tubular armrest. Please refer to user manual for important information regarding Transit Tie-Down option.</i>	\$ 375.00
Transport Bracket Option <i>Consists of four tie-down brackets. Unoccupied use only. Not available with heavy duty frame, fixed height non-removable armrest or swing away tubular armrest.</i>	\$ 395.00

Frame Finishes

Frame Finishes:	High Gloss Black	Red Pepper	Neon Pink	Ocean Blue Metallic	No charge
	Tangerine Metallic	Acid Green Metallic	Midnight Blue Pearl	White Pearl	
	Black Lava	Titanium Grey	Pomegranate Red	Blue Mist	
	Indigo Purple	Hyper Blue	Flame Orange	OD Green	
	Silver Streak	Lavendar Dusk	Black Galaxy	Seafoam Green	
	Daffodil Yellow				

Frame Measurements

Please refer to Reference Diagrams at end of form for more information.

Seat Width 'A' | Measure from outside of seat tube at back post to the outside of the opposite seat tube at back post.

Seat Width:	14"	15"	16"	17"	18"	No charge
	19"	20"	21"	22"		\$ 365.00

Seat Depth 'B' | Measure from front of back post to the front edge of seat sling. For odd size seat depths, frame depth will be 1" longer than seat sling. Seat upholstery is 1" less than seat depth and begins 1" after front edge of back post.

Seat Depth:	14"	15"	16"	17"	18"	No charge
	19"	20"				\$ 275.00

Seat Width 'A'	14"	14"x14"	14"x15"	14"x16"	14"x17"	14"x18"		
	15"	15"x14"	15"x15"	15"x16"	15"x17"	15"x18"	15"x19"	
	16"	16"x14"	16"x15"	16"x16"	16"x17"	16"x18"	16"x19"	16"x20"
	17"	17"x14"	17"x15"	17"x16"	17"x17"	17"x18"	17"x19"	17"x20"
	18"	18"x14"	18"x15"	18"x16"	18"x17"	18"x18"	18"x19"	18"x20"
	19"	19"x14"	19"x15"	19"x16"	19"x17"	19"x18"	19"x19"	19"x20"
	20"			20"x16"	20"x17"	20"x18"	20"x19"	20"x20"
	21"					21"x18"	21"x19"	21"x20"
	22"					22"x18"	22"x19"	22"x20"
		14"	15"	16"	17"	18"	19"	20"

Seat Depth 'B'

Front Seat Height 'C' | Measure from floor to top of seat tube at front edge of seat sling.

Front Seat Height:	13.5"	14"	14.5"	15"	15.5"	16"	16.5"	17"	17.5"	18"	18.5"	19"
	19.5"	20"	20.5"									

Front Wheel	3"	13.5" - 18"
	4"	14.5" - 18.5"
	5"	15.5" - 19"
	6"	16.5" - 19.5"
	8"	18.5" - 20.5"

Front Seat Height

Rear Seat Height 'D' | Measure from floor to top of seat tube at back post.

Rear Seat Height:	13"	13.5"	14"	14.5"	15"	15.5"	16"	16.5"	17"	17.5"	18"	18.5"
	19"	19.5"	20"									

Rear Wheel	22" (501)	13" - 18.5"
	24" (540)	14" - 19.5"
	25" (559)	14.5" - 20"
	26" (590)	15" - 20"

Rear Seat Height

Center of Gravity 'E' | Measure from front of back post at the seat tube to the centre of the rear axle.

Center of Gravity:	1"	1.5"	2"	2.5"	3"	3.5"	4"		No charge
	Amputee Axle Plate								\$ 200.00

Amputee axle plate is set to 1" behind back canes. Not available with user friendly anti-tips. Limitations will apply.

Front Hangers

Swing Away Removable Hangers

No charge

60° 70° 80° 85°

Omit Hangers

No charge

Hanger Angle

60° & 70°
80°
85°

Composite Footrest					Depth-Adjustable Footrest				
•	•	•	•	•	•	•	•	•	•
•	•	•	•	•	•	•	•	•	•
•	•	•	•	•	•	•	•	•	•
3"	4"	5"	6"	8"	3"	4"	5"	6"	8"

Front Wheel - Footrest Compatibility, Standard Fork

Hanger Angle

60° & 70°
80°
85°

Composite Footrest					Depth-Adjustable Footrest				
•	•	•	•	•	•	•	•	•	•
					•	•	•		
3"	4"	5"	6"	8"	3"	4"	5"	6"	8"

Front Wheel - Footrest Compatibility, Glide Fork

Footplate Options

For seat to footrest 'F', measure from front edge of seat sling to top rear of footrest. Measurement must be at least 2" shorter than front seat height.

Composite Flip-Up Footrests

Composite Flip-Up Footrests

Standard Hanger, 14"-18.5"	Set at	No charge
High Mount Hanger, 10.5"-14"	Set at	\$ 218.00

Depth and Angle Adjustable Footrests

Depth and Angle Adjustable Footrests *7"-8.5" will receive 3" extension tube, 9"-10" will receive 5" extension tube.*

Extra Long Footplates (9")		\$ 204.00
Standard Hanger, 14"-18.5"	Set at	No charge
High Mount Hanger, 10.5"-14"	Set at	\$ 218.00
Clamp-On High Mount, 7"-10"	Set at	\$ 218.00

Elevating Legrests

Elevating Legrest, Single *When choosing a single ELR, please select the opposite hanger above. Not available with 14" seat width.*

Install on Left	Install on Right	\$ 270.00
-----------------	------------------	-----------

Elevating Legrest, Pair *Not available with 14" seat width. Select height.*

14"	15"	16"	17"	18"	19"	20"	21"	\$ 459.00
-----	-----	-----	-----	-----	-----	-----	-----	-----------

Integrated Residual Limb Support

Residual Limb Support, Single

Install on Left	Install on Right	\$ 485.00
8"x10" Pad	8"x14" Pad	

Residual Limb Support, Pair

8"x10" Pad	8"x14" Pad	\$ 970.00
------------	------------	-----------

Footrest Accessories

Safe Tread Non-Skid Adhesive Patches

\$ 22.00

Heel Loops

\$ 60.00

Calf Straps

Velcro Adjustable Calf Strap

\$ 50.00

Large (14"-17") Extra Large (16"-22")

Bodypoint Padded Calf Strap, Velcro Adjustable

\$ 113.00

Medium (16"-20") Large (20"-22")

Buckle Adjustable Calf Strap, Black Nylon Webbing

\$ 60.00

Backrest

Back Type

Fixed Angle Adjustable Height Back

No charge

Fixed Angle Adjustable Height Back w/8° Bend

No charge

Folding Adjustable Angle and Height Back *Not available with heavy duty frame.*

\$ 295.00

Folding Stabilizer Bar

\$ 457.00

Push Handles

No Push Handles

No charge

Integrated Push Handles

No charge

Integrated Fold-Down Push Handles *Not available with heavy duty frame.*

\$ 149.00

Bolt On Height Adjustable Push Handles *Not available with heavy duty frame.*

\$ 449.00

Back Height 'G' | Measure from top of seat tube at rear of frame to top of back upholstery.

Push Handles	None / Bolt-On	12.5" - 15.5"	16.5" - 20.5"	Set at:
	Integrated	12" - 15"	16" - 20"	Set at:
	Fold-Down	12" - 15"	16" - 20"	Set at:
		Short	Tall	Specify
Fixed Angle Adjustable Back Set at 1" increments				

Push Handles	None / Bolt-On	12.5" - 14.5"	15" - 17"	17.5" - 20"	Set at:
	Integrated	14" - 15.5"	16" - 17"	17.5" - 20"	Set at:
	Fold-Down	14.5" - 15.5"	16" - 17.5"	18" - 20.5"	Set at:
		Short	Medium	Tall	Specify
Folding Adjustable Angle Back Set at 0.5" increments					

Back Supports

Back Upholstery

- Standard Back Upholstery, Tension Adjustable** *Includes privacy flap.* No charge
- AIR Breathable Back Upholstery, Tension Adjustable** *Includes privacy flap.* \$ 385.00
- Removable Lumbar Contour Pack Removable Lateral Contour Pack
- Omit Back Upholstery** No charge

Comfort Back Supports | Backs over 20" wide or tall subject to increased pricing. See information at end of form regarding product shipment.

- Comfort Unite 1 Back** *Replaces Comfort Acta-Back. Inc 2-Point Quick Release Compass Hardware. Select shell height.* \$ 961.00
- 12" 14" 16" 18" 20" 22"
- Comfort-Tek Cover **Diamond Spacer Cover**
- Comfort Privacy Flap \$ 80.00
- Comfort Unite 2 Back** *Replaces Comfort Acta-Back w/3" Deep Wing. Inc 2-Point Quick Release Compass Hardware. Select shell height.* \$ 1,106.00
- 12" 14" 16" 18" 20" 22"
- Comfort-Tek Cover **Diamond Spacer Cover**
- Comfort Privacy Flap \$ 80.00
- Comfort Unite 1 5" Wing Back** *Replaces Comfort Acta-Back w/5" Deep Wing. Inc 2-Point Quick Release Compass Hardware. Select shell height.* \$ 1,245.00
- 12" 14" 16" 18" 20" 22"
- Comfort-Tek Cover **Diamond Spacer Cover**
- Comfort Privacy Flap \$ 80.00
- Comfort Embrace Back** *Replaces Comfort Acta-Embrace. Inc 2-Point Quick Release Compass Hardware. Select shell height.* \$ 1,099.00
- 10" 12" 14" 16" 18" 20" 22"
- Comfort-Tek Cover **Diamond Spacer Cover**
- Comfort Privacy Flap \$ 80.00
- Comfort Relief Back** *Replaces Comfort Acta-Relief. Inc 2-Point Quick Release Compass Hardware. Select shell height.* \$ 1,329.00
- 10" 12" 14" 16" 18" 20" 22"
- Comfort-Tek Cover **Diamond Spacer Cover**
- Comfort Privacy Flap \$ 80.00

Seat Options

Seat Upholstery

Tension Adjustable Seat Upholstery, Black	No charge
Aluminum Solid Seat Pan <i>Comfort Company seat pan - may increase seat height by 0.5". Limited sizes available, visit the Permobil Store for more information.</i>	\$ 690.00
Omit Seat Upholstery	No charge

Seat Cushions | Cushions over 20" wide subject to increased pricing. See information at end of form regarding product shipment.

Comfort Curve Cushion <i>Comfort-Tek cover.</i>	\$ 177.00
Comfort Elements Cushion <i>Comfort-Tek cover. Odd size cushions subject to increased pricing.</i>	\$ 121.00
Comfort Acta-Embrace Zero Elevation Cushion <i>Comfort-Tek cover.</i>	\$ 508.00
Comfort M2 Zero Elevation Cushion <i>Comfort-Tek cover.</i>	\$ 607.00
ROHO Single Compartment Cushion	\$ 637.00
Low Profile Mid Profile High Profile	
ROHO Quadro Select Cushion	\$ 777.00
Low Profile Mid Profile High Profile	
ROHO Hybrid Elite Cushion	\$ 860.00
Single Compartment Dual Compartment	
ROHO Hybrid Select Cushion	\$ 1,106.00

Front Forks

TiLite Standard Fork	Standard
Glide Suspension Fork <i>Black anodize only. Select user weight (maximum 265lb).</i>	\$ 596.00
125lbs 125-180lbs 180-265lbs	

Front Wheels

See front seat height ranges chart for front seat height limitations.

3"x1.4" LiteSpeed-7 Billet Aluminum Wheel w/Soft Roll Tire	\$ 245.00
Silver Hub Black Hub	
4"x0.75" Plastic Wheel w/Poly Tire	\$ 70.00
4"x0.75" Light-Up Micro Caster	\$ 149.00
4"x1.4" LiteSpeed-7 Plastic Wheel w/Soft Roll Tire	No charge
4"x1.4" LiteSpeed-7 Billet Aluminum Wheel w/Soft Roll Tire	\$ 259.00
Silver Hub Black Hub	
5"x1" Plastic Wheel w/Poly Tire	\$ 70.00
5"x1.4" LiteSpeed-7 Plastic Wheel w/Soft Roll Tire	No charge
5"x1.4" LiteSpeed-7 Billet Aluminum Wheel w/Soft Roll Tire	\$ 274.00
Silver Hub Black Hub	
6"x1" Plastic Wheel w/Poly Tire	\$ 70.00
6"x1.4" LiteSpeed-7 Plastic Wheel w/Soft Roll Tire	No charge
6"x1.4" LiteSpeed-7 Billet Aluminum Wheel w/Soft Roll Tire	\$ 274.00
Silver Hub Black Hub	
8"x1" Plastic Wheel w/Poly Tire	No charge

Rear Wheels

See rear seat height ranges chart for rear seat height limitations.

One Arm Drive Requires 24" rear wheel and 0° camber. Not available with heavy duty frame. Will increase wheel spacing by 2". Comes with 24" spoke rear wheels, treaded tires with airless inserts and aluminum silver anodized handrims. \$ 1,402.00

Installed on Left Installed on Right

TiLite Standard Rear Wheel Select size. When ordering 24" wheels with treaded pneumatic or treaded tire with airless inserts and aluminum silver or aluminum black handrims with long tabs, the chair will ship with TiLite Standard rear wheels. Otherwise, the chair will ship TiLite Shadow™ rear wheels. No charge

22" 24" 25" 26"

Spinergy SPOX Rear Wheel Select size and spoke color. \$ 1,427.00

22" 24" 25" 26"

Black Red Blue White

Spinergy LX Rear Wheel Select size and spoke color. \$ 1,547.00

22" 24" 25" 26"

Black Red Blue White Orange Pink Purple

Spinergy Design Lab LX Rear Wheel Black spokes only. Select size and anodizing color. \$ 2,382.00

22" 24" 25" 26"

Gold Green Blue Red Purple Orange

X-Core Mag Rear Wheel Select size. Not available with heavy duty frame, short tabs, quad release axles, spoke guards or omit handrims options. Requires aluminum silver anodized handrims. \$ 269.00

22" (501) 24" (540)

Camber

Camber Angle: 0° 2° 4°

Rear wheel spacing will be set to minimum value allowed by your configuration.

Axles

Stainless Quick Release Axle No charge

Quad Release Axle Not available with Mag or 24"/25" Spinergy Spox or LX rear wheels. \$ 175.00

Fixed Non-Removable Axle \$ 193.00

Pneumatic Rear Tires

Treaded Tire 22"(501), 24"(540), 26"(590) Not available with 25" rear wheels. No charge

Treaded Tire w/Airless Inserts Not available with 25" rear wheels. \$ 157.00

MBL SpeedLite Tire 22"(501), 24"(540), 25"(559), 26"(590) No charge

Primo Sentinel Tire 22"(501), 24"(540), 25"(559), 26"(590) \$ 175.00

Schwalbe Marathon Plus Evolution Tire 24"(540), 25"(559), 26"(590) Not with Mag or 22" rear wheels. \$ 202.00

Primo C-764 Knobby Tire 24"(540) 24" rear wheels only. \$ 154.00

Solid Rear Tires

Primo Orion Tire 22"(501), 24"(540), 25"(559) Not with 26" rear wheels. \$ 191.00

Primo Active Tire 24"(540), 25"(559) 24" and 25" rear wheels only. \$ 191.00

Handrims

Aluminum Handrim No charge

Silver Anodized Black Anodized

Q-Grip Handrim Exclusive High-Friction, Anti-Slip Coating \$ 591.00

Plastic Coated Handrim, Black \$ 180.00

The Surge Handrim Large profile. All-In-One oval with Gription™ strip. Not available with 20"(451) rear wheels. \$ 591.00

The Surge LT Handrim Small profile. All-In-One oval with Gription™ strip. Not available with 20"(451) rear wheels. \$ 503.00

The Natural-Fit Handrim, Standard Grip Original, large profile. Not with short tabs. \$ 454.00

The Natural-Fit Handrim, Super Grip Original, large profile. Not with short tabs. \$ 514.00

The Natural-Fit Handrim, Without Thumb Grip Original, large profile. \$ 415.00

The Natural-Fit LT Handrim, Standard Grip Reduced weight, small profile. Not with short tabs. \$ 546.00

The Natural-Fit LT Handrim, Super Grip Reduced weight, small profile. Not with short tabs. \$ 585.00

The Natural-Fit LT Handrim, Without Thumb Grip Reduced weight, small profile. \$ 503.00

Omit Handrims No charge

Handrim Tab Length

Long Tabs	Standard
Short Tabs <i>Not available with Mag rear wheels or The Natural-Fit® handrims with thumb grip.</i>	\$ 47.00

Spoke Guards

Clear Lexan Spoke Guards with TiMotion Logo <i>Not available with Mag rear wheels.</i>	\$ 214.00
--	-----------

Wheel Locks

Aluminum Push to Lock	No charge
Aluminum Pull to Lock	No charge
Extension Handles for Aluminum Push/Pull to Lock	\$ 80.00
Compact Composite Push to Lock	\$ 139.00
Compact Composite Pull to Lock	\$ 139.00
Extension Handles for Compact Composite Push/Pull to Lock	\$ 111.00
MBL Compact Composite Scissor Lock	\$ 225.00
MBL Performance Scissor Lock	\$ 245.00
Hemi Wheel Lock	\$ 356.00
Install on Left Install on Right	\$ 356.00
Grade Aids Push to Lock <i>Requires pneumatic tires.</i>	\$ 472.00

Side Guards

Aluminum Rigid Side Guards, Removable <i>Select size.</i>	\$ 318.00
Small Standard	
Aluminum Quad Side Guards, Removable w/Hole <i>Select size.</i>	\$ 345.00
Small Standard	

Armrests

Omit Armrests	No charge
Fixed Height Non-Removable Armrests <i>Not available with heavy duty frame.</i>	No charge
Height Adjustable Tubular Armrests <i>Not available with heavy duty frame, bolt on push handles or transit/transport option.</i>	\$ 284.00
9"-12" 12"-15"	
Height Adjustable Tubular Armrests with Side Guards <i>Not available with heavy duty frame.</i>	\$ 459.00
9"-12" 12"-15"	
Two Point Flip Back Height Adjustable T-Style Armrests <i>Requires 15" minimum seat depth. Not available with folding adjustable angle and height back.</i>	\$ 410.00
8"-12" 10"-14"	
Desk Length (10") Full Length (14")	
Removable Height Adjustable T-Style Armrests <i>Requires 15" minimum seat depth.</i>	\$ 390.00
8"-12" 10"-14"	
Desk Length (10") Full Length (14")	

Positioning Belts

Velcro Adjustable Belt, Black Nylon Webbing	\$ 61.00
Bodypoint 1" Belt, Push-Button Padded (Auto Style) <i>Not available with 19" or 20" rear seat widths.</i>	\$ 154.00
Bodypoint 1.5" Belt, Push-Button Padded (Auto Style) <i>Not available with 19" or 20" rear seat widths.</i>	\$ 117.00
Bodypoint 2" Belt, Push-Button (Auto Style)	\$ 70.00
Bodypoint EvoFlex Pelvic Stabilizer, Push Button	\$ 179.00
Q'Straint WC-19 Wheelchair Anchored Pelvic Belt <i>Recommended for use with transit tie down.</i>	\$ 259.00
Bodypoint Optional Band Clamp Mounting Hardware	\$ 45.00

Accessories

Anti-Tips

Rear Anti-Tips, Aluminum Black	\$ 180.00
Rear Anti-Tips, User Friendly Flip-Up	\$ 394.00

Soft Goods Accessories

Permobil Medical Necessities Backpack	\$ 123.00
Permobil Medical Necessities Seat Pouch	\$ 79.00
Bodypoint Mobility Bag	\$ 148.00
Neoprene Impact Guards, Black <i>Not available with high mount footrests or elevating legrests.</i>	\$ 233.00

Functional Accessories

Upper Extremity Support Tray <i>Requires T-style armrests.</i>	\$ 376.00
12"-14" Widths 13"-15" Widths	\$ 376.00
Luggage Carriers <i>Not available with high mount footrests.</i>	\$ 189.00
Crutch Holder	\$ 291.00
Install on Left Install on Right	
Oxygen Tank Holder	\$ 356.00
Install on Left Install on Right	\$ 356.00

SmartDrive Power Assist System

Permobil SmartDrive MX2+ <i>Not available with rear seat heights less than 13.5". SmartDrive apps available on Apple App Store and Google Play Store for Apple Watch Series 5 or newer, and Samsung Galaxy Watch 4 or newer.</i>	\$ 7,989.00
Switch Control Buttons	No charge
SwitchControl Button with Mono Jack Option	No charge
Buddy Button <i>For use with SwitchControl button with mono jack option.</i>	No charge
Carrying Bag	\$ 110.00
Universal Padded Handle	\$ 31.00

General

Permobil manufactures TiLite manual wheelchairs in a wide variety of configurations to meet the varied needs of wheelchair users. The final selection of a particular model, its options and accessories, and its measurements rests solely with the wheelchair user and the advising healthcare professional. These wheelchairs must be fitted by a qualified healthcare professional. HCPCS Codes are for reference purposes only. Actual coding and coverage varies by payer. Proper HCPCS coding is not a guarantee of payment. Please verify the appropriate payer's coverage policy. Prices, standard features, options and accessories are subject to change without notice. All rights reserved.

Notes

Measurement Guide

A Seat Width Measure from outside of seat tube at back post to outside of opposite seat tube at back post.

B Seat Depth Measure from front of back post to front edge of seat sling.

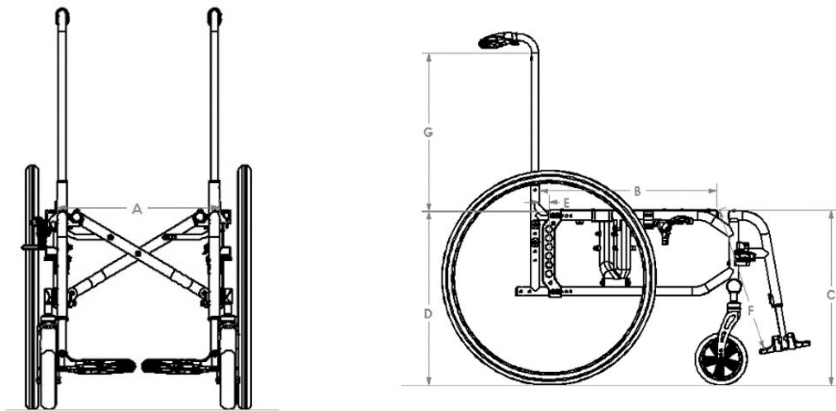
C Front Seat Height Measure from floor to top of seat tube at front edge of seat sling.

D Rear Seat Height Measure from floor to top of seat tube at back post.

E Center of Gravity Measure from front of back post at seat tube to center of rear axle.

F Seat to Footrest Measure from front edge of seat sling to top rear of footrest.

G Back Height Measure from top of back post to top of seat tube at rear of frame.



Seating and Positioning Shipping Information

The following Seating and Positioning products will ship with the chair. Cushions are stocked with Comfort-Tek covers and backs are stocked with Stretch Air covers. All other Seating and Positioning products will be drop-shipped from the manufacturer. (Width x Depth)

Shipped With Chair

16"x16"	16"x18"	16"x16"	16"x16"	16"x16"	16"x16"
16"x18"	18"x16"	16"x18"	18"x16"	16"x18"	18"x18"
18"x18"	18"x18"	18"x18"	18"x18"	18"x18"	20"x16"
			20"x16"		20"x18"
			20"x20"		

Curve

Elements

Acta Embrace

M2 Zero Elevation

ROHO Single HP

ROHO Quadtro

Seat Cushions

Shipped With Chair

16"x12"	16"x16"	16"x12"	16"x10"	16"x10"
16"x16"	18"x16"	16"x16"	18"x10"	18"x10"
18"x12"		18"x12"		
18"x16"		18"x16"		

Comfort Unite 1

Comfort Embrace

Comfort Relief

ROHO Agility Mid

ROHO Agility Min

Back Supports