

KARATE WHEELCHAIR ORDER / MEASUREMENT FORM

USER

NAME SURNAME	
DISABILITY	
ID NUMBER	
PHONE NUMBER	
E-MAIL	
ADDRESS	

ORDERED BY

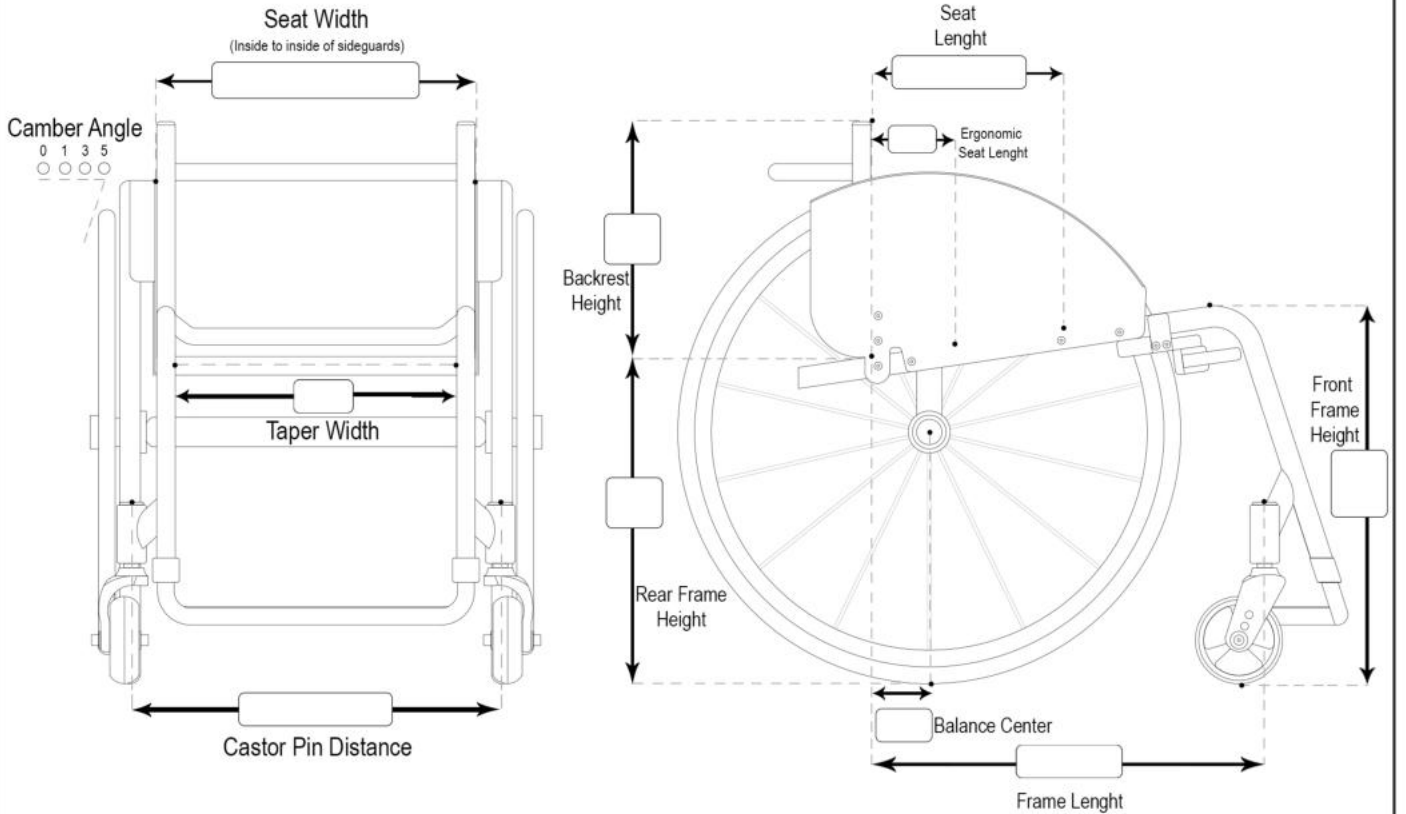
NAME SURNAME	
PHONE NUMBER	
E-MAIL	
TAX NR	
ADDRESS	

ORDER DATE/...../.....	SERIAL NUMBER	USER; NAME SURNAME SIGNATURE/...../.....
PRODUCTION DATE/...../.....		

I here by accept that all the mesurements belong to me

MEASUREMENTS

HEIGHT / WEIGHT :
CLASSIFICATION POINT :



MEASUREMENTS

FOOTREST

Length

Width

MATERIAL:

Aluminum

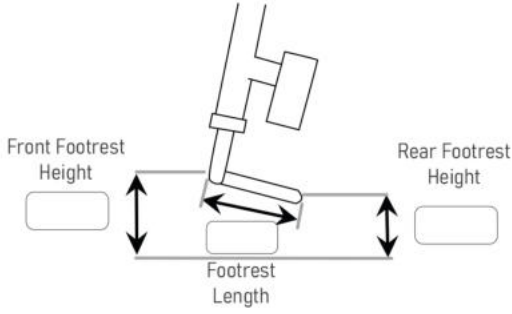
Carbon(optional)

SEAT

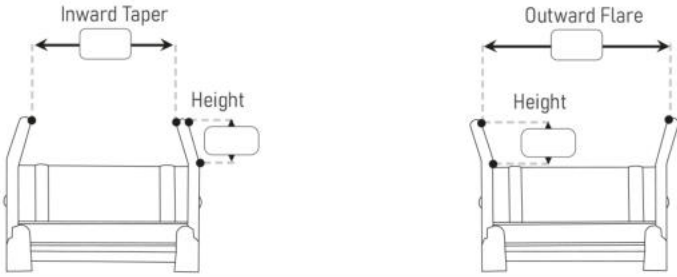
Carbon (optional) Aluminum

FOOTREST DESIGN

Tubes Only High Level Footrest



ERGONOMICS



Special Size

Rear Wheel Gap

15 20 25 mm

REAR WHEEL

24" 25" 26"

SPINERGY SLX 24 WIRE SPORT WHEEL

- Black Wire
- Blue Wire
- Red Wire
- Yellow Wire
- White Wire

SPINERGY SLX 30 METAL WIRE SPORT WHEEL

ANTI-TIPS

Single

- Left
- Right

Double

PUSHING RIM

Narrow

Wide

SEATING FLOOR

With Adjustable Strap

BACK UPHOLSTERY

With Adjustable Strap

CUSHION

Soft

Medium

Hard

50mm

75mm

100mm

FRAME COLOR

SPECIFY POWDER COLOR

TIRE OPTIONS

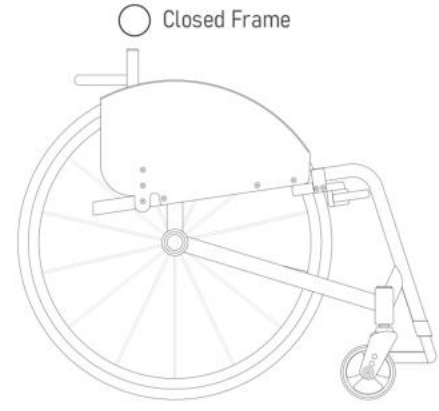
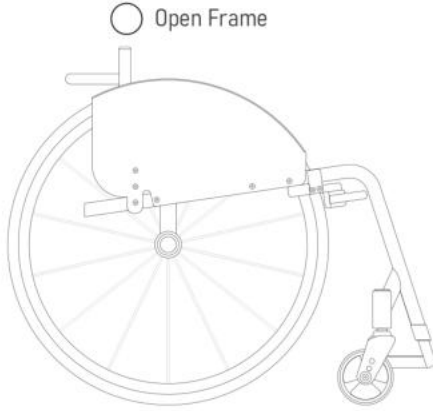
If in stock;

KENDA

IRC

MEASUREMENTS

FRAME TYPE



SIDEGUARD MEASUREMENTS

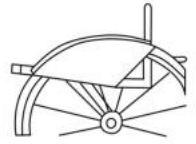
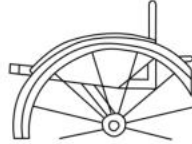
SIDEGUARD MATERIAL: Aluminum Carbon (optional)

25mm Above Tyre

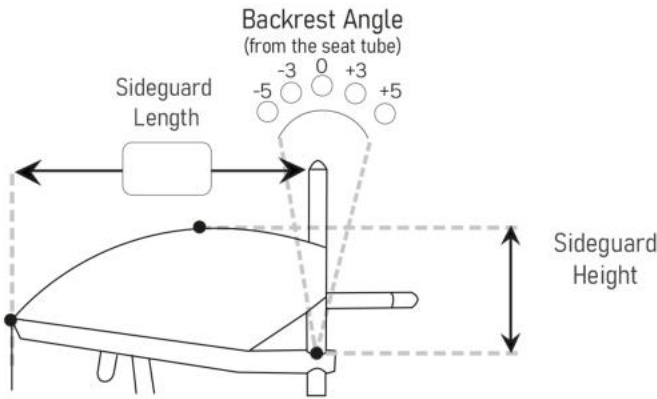
Same Height With The Tyre

Individual Above Tyre mm

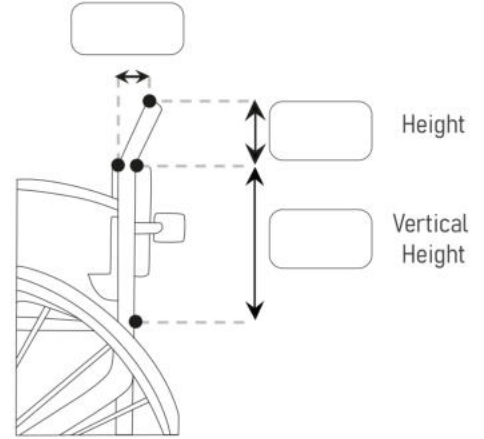
Individual Below Tyre mm



SIDEGUARD AND BACKREST DETAILS



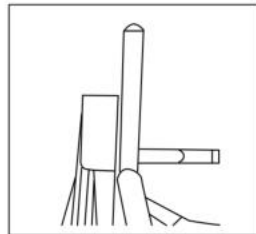
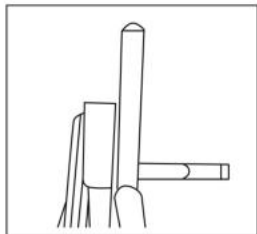
Rearward Position



FENDER POSITION

Centre of tyre

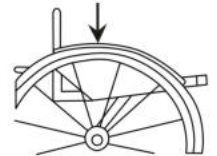
Special Size



FENDER HEIGHT

10mm Above Tyre

Individual Above Tyre mm



SPECIAL REQUEST AND DIMENSIONS
