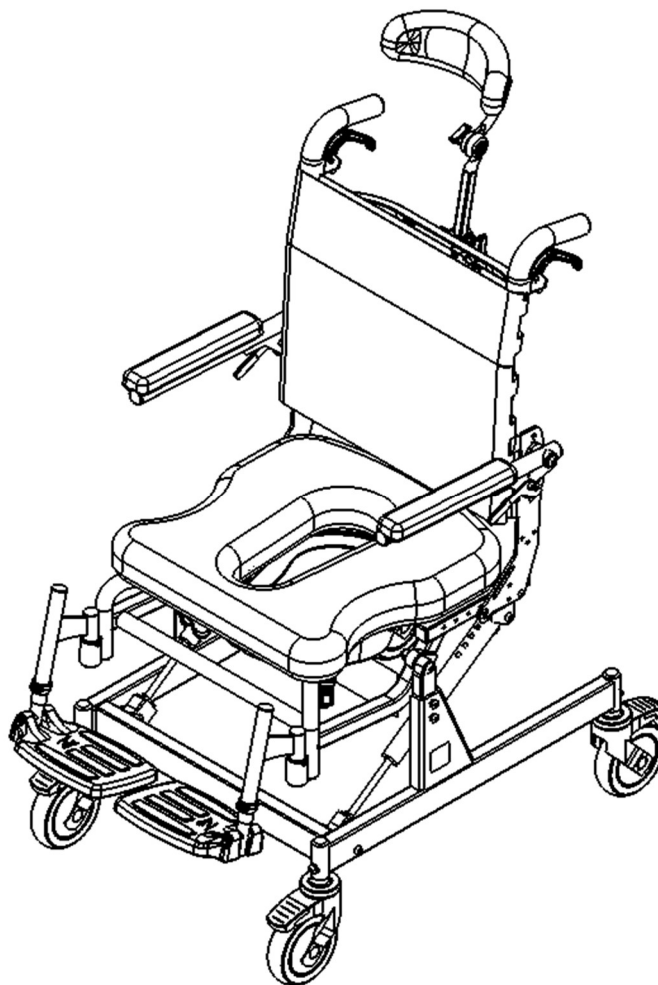




# Mobile Shower Commode Chairs

## Raz-CAT (Z303)

# User and Dealer Manual



EC REP

Advena Ltd. Tower Business Center  
2nd Flr, Tower Street  
Swatar, BKR 4013 Malta

UKRP

Advena Ltd. Pure Offices, Plato Close  
Warwick, CV34 6WE UK

CH REP

Senectovia Medizinaltechnik AG  
In der Luberzen 1,  
8902 Urdorf, Switzerland



BASIC UDI-DI: 628758RAZDESIGNINC2004V9

# SAFETY PRECAUTIONS

**Failure to comply may cause injury or damage!**

It is important that the Raz Mobile Shower Commode Chair be properly assembled and that all adjustments be made carefully. Please ensure that the user(s), dealer(s), and attendant(s) have read this manual and thoroughly understood the safe operation of the Raz Mobile Shower Commode Chair. Up-to-date manuals are available online at [www.razdesigninc.com](http://www.razdesigninc.com). For clarification of any section of this manual, contact your distributor or the manufacturer.



## MANUFACTURER

Raz Design Inc.

135 Railside Rd. Toronto, ON, Canada, M3A 1B7

1.877.720.5678 / 416.751.5678

[info@razdesigninc.com](mailto:info@razdesigninc.com)



### CHAIR CLASSIFICATION BASED ON MAXIMUM USER WEIGHT

CAT

136 kg (300 lbs)

## SAFETY WARNINGS TO CONSIDER FOR RETAIL PURPOSES

**THIS DEVICE IS SUITABLE FOR TYPE A; HIGH USAGE (e.g. INSTITUTIONS) AND SHOULD NEVER BE USED FOR ANY PURPOSE OTHER THAN ORIGINALLY INTENDED**

### Stability

The casters on all models are equipped with dual locks. The step-on lever activates both the roll lock and the swivel lock. ***It is essential that all casters on the shower chair be in an outward position before engaging the locks, for optimal forward, rearward, and lateral stability.*** If so equipped, disengage the optional directional caster lock before rotating the rear caster to the rearward position and applying the caster's dual-locks.

**USERS MUST NOT** lean forward while sitting in the Raz Mobile Shower Commode Chair as this may cause the chair to tip forward.

**USERS MUST NOT** wheel down a ramp without an attendant who can hold onto the chair during the descent.



**CASTER LOCKS ARE NOT BRAKES! Never use caster locks to slow down the shower chair when descending inclines as this could cause the chair to tip in the direction of travel.**

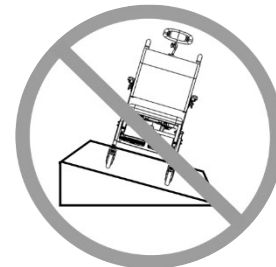


### Lateral Stability

**USERS MUST NOT** lean over the edge of a Raz Mobile Shower Commode Chair as this could cause the chair to tip.

**USERS MUST NOT** attempt to pick up objects from the floor by leaning over and reaching – use a reacher or ask for assistance from an attendant.

**USERS MUST NOT** position the Raz Mobile Shower Commode Chair on a side slope as this could cause it to tip.

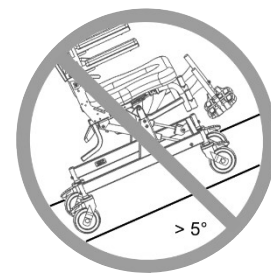


### Ramps and Other Inclines

Ramps and other surfaces that are not level (such as slopes into wheel-in showers) must be tested with an attendant to ensure they do not compromise the chair's stability. A qualified healthcare professional should be consulted to assist with this process.

**DO NOT push or pull the Raz-CAT up or down an incline or ramp that exceeds a 1:12 grade (5° slope).**

**DO NOT** allow any user to be propelled (pushed or pulled) in a Raz-CAT in any other manner, than by an attendant.



**ALWAYS CHECK THAT THE Raz-CAT IS STABLE BEFORE IT IS OCCUPIED BY ANY USER AT ANY TIME.**

### Immersion

The Raz Mobile Shower Commode Chair is not designed to be used as a pool chair. Do not immerse the shower chair in water or any other liquid, whole or in part. Immersion may result in damage to the shower chair.



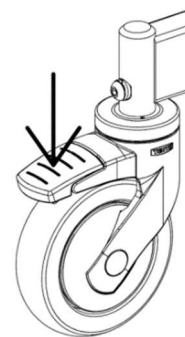
### Chlorine Exposure

Suitable for use in wet areas, but not pools and similarly corrosive environments.

**DO NOT** store the device near pools because chlorine in the air can cause rust on some of the chair's stainless steel components.

### Transfers

The most dangerous part of using any shower chair is the transfer. Since every chair has different stability characteristics, it is essential to carefully review and test the transfer technique to ensure the procedure is safe. Test transfers should be performed with an attendant who can prevent the chair from tipping or moving during the transfer. If you feel that the transfers cannot be repeatedly performed safely, contact a healthcare professional who is familiar with transfer techniques and options. Individuals who have not learned proper transfer skills must seek assistance during transfers and may require a mechanical lift.



## Transferring onto a Raz-CAT

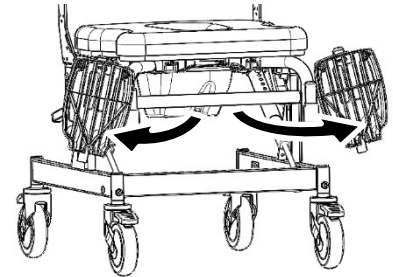
**ALWAYS** lock all four casters with front casters positioned in the forward for maximum chair stability.

**Transfers should never be attempted with the shower chair positioned on slippery surfaces.** It is recommended that transfers be performed on clean, dry, non-slippery surfaces. Hard surface flooring such as tile, wood, or concrete may not provide sufficient grip to keep locked casters and/or rear wheels from sliding. A fully carpeted surface is optimal. Be aware that area rugs and shower mats can slide on floors and thereby present a hazardous surface.



**DO NOT** stand on any part of the frame of the Raz-CAT.

**NEVER use the footplates to assist in transfers.** This could cause the chair to tip. The foot supports should be swung to the side or removed entirely during transfers to provide unobstructed access to the shower chair.



## Tilt Function

**ALWAYS** check the tilt function and ensure both locking gas springs and release cable assemblies are fully operational **BEFORE** the chair is occupied by the user.

A pelvic strap can act as an additional safeguard for the user. A pelvic support strap may be ordered as an option with the Raz-CAT.

**DO NOT** attempt to tilt an occupant if the attendant is physically incapable of safely and smoothly operating the tilt function.

**NEVER** leave the user unattended in a Raz-CAT.

## IMPORTANT !

**USERS SHOULD NEVER BE LEFT UNATTENDED IN A RAZ SHOWER CHAIR.**

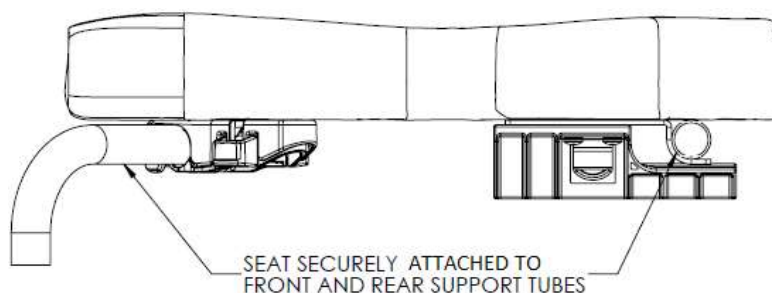
## IMPORTANT !

**DO NOT LIFT A RAZ MOBILE SHOWER COMMUNE CHAIR AND OCCUPANT BY THE ARM SUPPORTS OR FOOT SUPPORTS!**

## **IMPORTANT !**

ALWAYS BE SURE THAT THE SEAT IS PROPERLY INSTALLED AND LATCHED BEFORE A USER IS TRANSFERRED ONTO THE CHAIR. THE REAR SEAT ATTACHMENT BRACKETS MUST BE FULLY HOOKED UNDER THE REAR SEAT SUPPORT TUBES. THE FRONT SEAT ATTACHMENT BRACKETS MUST BE SECURELY LATCHED AROUND THE FRONT SEAT SUPPORT TUBES. BOTH FRONT AND REAR SEAT ATTACHMENT BRACKETS SHOULD BE SECURED IN PLACE BY TIGHTENING THE 8 SCREWS ON THE UNDERSIDE OF THE SEAT.

INSTRUCTIONS FOR THE PROPER REMOVAL AND INSTALLATION OF THE SEAT FOR CLEANING MUST BE PROVIDED TO THE USER AND / OR ATTENDANTS.



## **IMPORTANT !**






THE RAZ-CAT IS INTENDED FOR FOLLOWING USES:

- AS AN AID FOR SHOWERING/BATHING, GOING TO THE TOILET, AND OTHER ACTIVITIES ASSOCIATED WITH PERSONAL CARE AND PERSONAL HYGIENE;
- AS A SUPPORT FOR THE BODY OF THE USER IN A SEATED OR RECLINED POSITION;
- WITH OR WITHOUT THE ASSISTANCE FROM A CAREGIVER;
- TOILETING OVER A STANDARD TOILET, OR AS A COMMODE WITH THE COMMODE PAN;
- IN INDOOR ENVIRONMENTS ONLY;
- IN BOTH TYPE A, HIGH USAGE (e.g. INSTITUTIONAL) ENVIRONMENTS AND IN-HOME ENVIRONMENTS

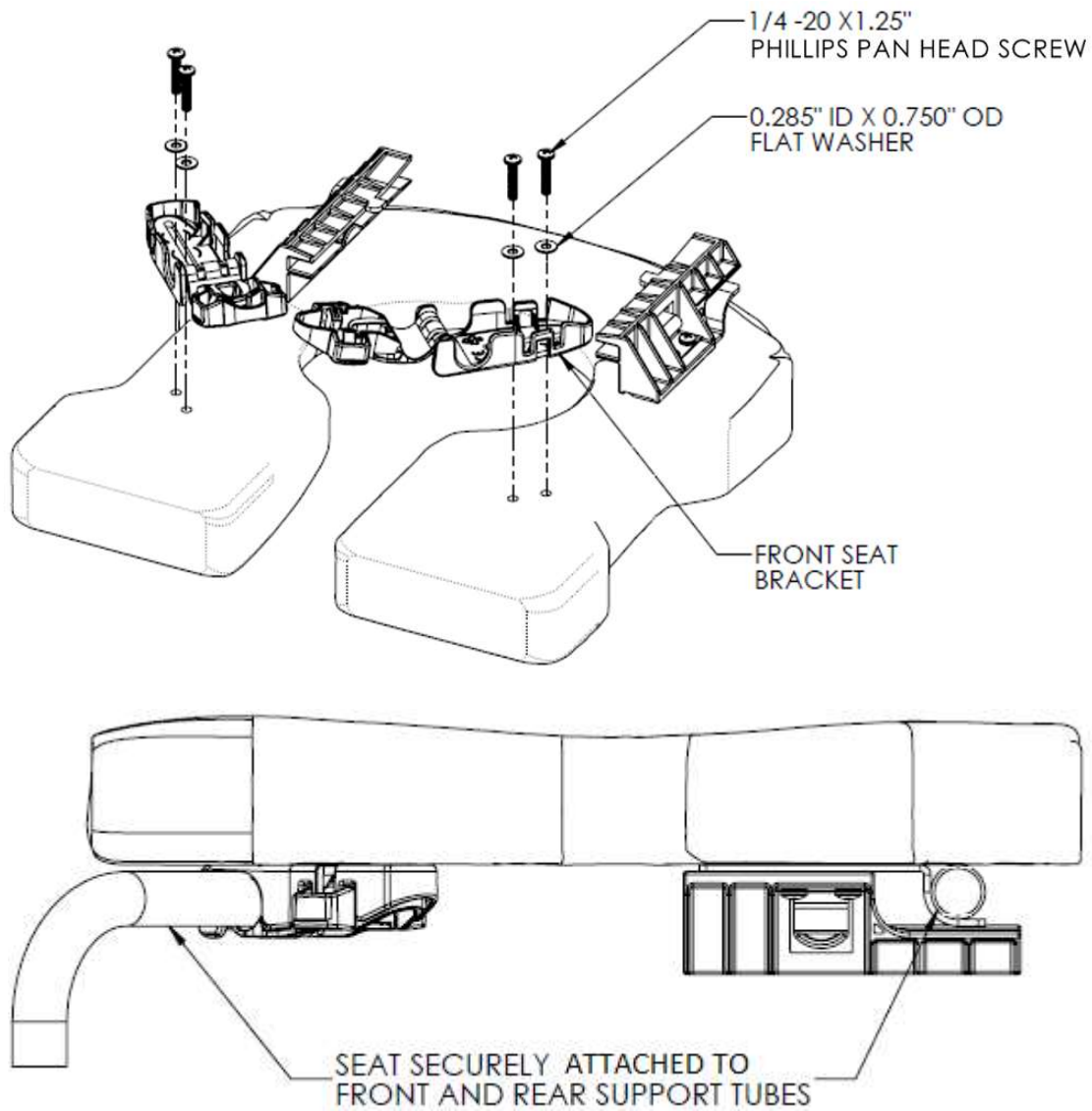
THE RAZ-CAT DOES NOT PERFORM ANY THERAPEUTIC OR DIAGNOSTIC FUNCTIONS AND IS NOT INTENDED FOR USE FOR ANY THERAPEUTIC OR DIAGNOSTIC PURPOSES. ALL PRODUCTS WITHIN THE RAZ FAMILY ARE NON-STERILE, REUSABLE, NON-INVASIVE, AND NON-IMPLANTABLE.

THE RAZ-CAT IS INTENDED TO BE USED BY PEOPLE WITH MOBILITY IMPAIRMENTS, WHO MAY HAVE DIFFICULTY IN STANDING OR KEEPING THEIR BALANCE WHILE COMPLETING ACTIVITIES SUCH AS SHOWERING, TOILETING, OR PERSONAL HYGIENE. TYPICAL USERS HAVE LIMITED ENDURANCE AND POSTURAL CONTROL AND MAY REQUIRE ASSISTANCE FROM A CAREGIVER FOR ACTIVITIES SUCH AS SHOWERING, TOILETING, OR PERSONAL HYGIENE. FOR PRODUCTS WITH RECLINE FUNCTION, USE OF THE RECLINE FUNCTION MAY BE CONTRA-INDICATED WHERE THE USER IS SENSITIVE TO SHEARING FORCES ON SEATED SURFACES WHEN OPENING THE SEAT-TO BACK-ANGLE.

# LABELS OR SYMBOLS ON THE PRODUCT

PRODUCT DESIGNATION	<b>RAZ-CAT</b>
MANUFACTURER ADDRESS	 <b>Raz Design Inc.</b> 135 Railside Road Toronto, ON Canada M3A 1B7
AUTHORIZED REPRESENTATIVE DETAIL	<div style="border: 1px solid black; padding: 5px; display: inline-block; margin-bottom: 10px;"> <b>EC REP</b> </div> <p style="font-size: 1.5em; margin: 0;"><b>UKRP</b></p> <div style="border: 1px solid black; padding: 5px; display: inline-block; margin-top: 10px;"> <b>CH REP</b> </div>
PRODUCT IDENTIFER (PI)	<div style="border: 1px solid black; padding: 2px; display: inline-block; margin-bottom: 5px;"><b>SN</b></div> CAT-XXXXXX
UDI-DI	<div style="border: 1px solid black; padding: 2px; display: inline-block; margin-bottom: 5px;"><b>UDI</b></div> 628758003038
MEDICAL DEVICE	<div style="border: 1px solid black; padding: 2px; display: inline-block; margin-bottom: 5px;"><b>MD</b></div>
EUROPEAN CONFORMITY	
DATE OF MANUFACTURE	
MAXIMUM USER WEIGHT	
READ USER MANUAL	

## FRONT SEAT BRACKET INSTALLATION (IF APPLICABLE)



Please refer to the above image for the installation procedure.

Note: Please install the Phillips Pan Head Screws by hand. The use of power tools may cause the bracket to deform.

After installation, ensure the brackets are secured onto the seat. Open and close the brackets to check for proper functionality.

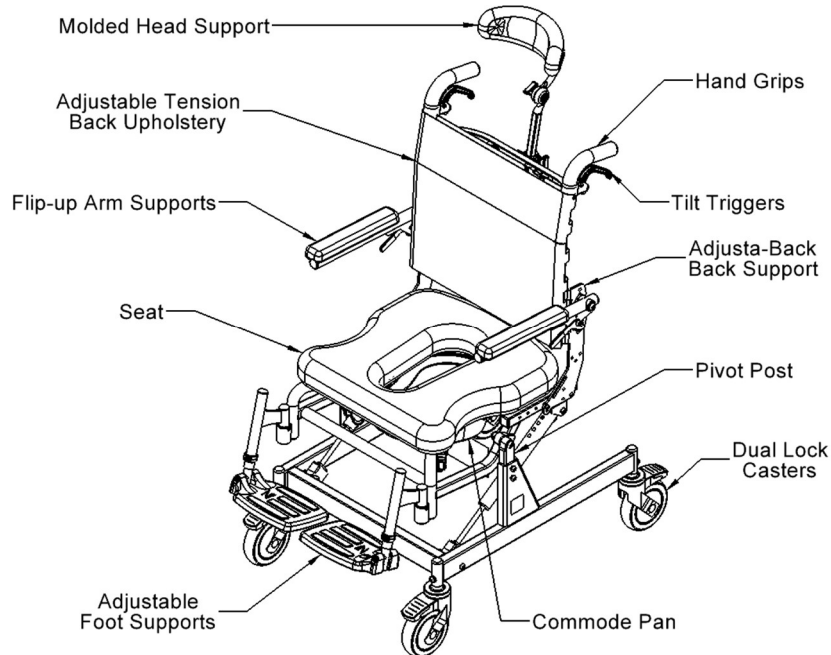
Always be sure that the seat is properly installed and latched. The rear hooks must be fully engaged with the rear seat support tubes and the front brackets must be latched and locked around the front seat support tubes.

## USER & DEALER MANUAL TABLE OF CONTENTS

1.0 GENERAL INFORMATION.....	9
1.1 Raz-CAT Mobile Shower Commode Chair Overview.....	9
1.2 Raz-CAT Mobile Shower Commode Chair Specifications.....	9
2.0 SET-UP: INTENDED FOR DEALER USE ONLY .....	10
2.1 Back Support.....	10
2.1.1 Back Support Installation .....	10
2.1.2 Back Support Angle Adjustment .....	10
2.1.3 Back Support Depth Adjustment .....	10
2.1.4 Adjustable-Tension Back Upholstery Adjustment.....	11
2.2 Caster Installation .....	11
2.3 Arm Support Adjustment – Adjusta-Back Option Only .....	11
2.3.1 Arm Support Height Adjustment.....	11
2.3.2 Arm Support Angle Adjustment.....	11
2.4 Raz Seats .....	12
2.4.1 Raz Seat Installation .....	12
2.4.2 Ischial Pelvic Alignment System (IPAS) – Adjustment.....	12
2.5 Seat-To-Floor Height Adjustment .....	13
2.6 Foot Supports.....	13
2.6.1 Foot Support Installation .....	14
2.6.2 Standard and MFX12 Foot Support Adjustment.....	14
2.6.3 MFX 8 Foot Support Adjustment.....	14
2.7 Molded Head Support Adjustment.....	14
2.7.1 Head Support Installation.....	14
2.7.2 Head Support Adjustment.....	14
2.8 Fastener Installation .....	15
3.0 USE AND OPERATION.....	16
3.1 Tilt Function .....	16
3.2 Tilt-Assist Pedal.....	16
3.3 Flip-Up Arm Supports.....	16
3.4 Adjustable-Tension Back Upholstery .....	17
3.5 CAT Seat .....	17
3.6 Standard MFX12 Foot Supports (Footrests).....	18
3.7 Molded Head Support (Headrest).....	18
3.8 Commode Pan .....	18
3.9 Casters.....	19
4.0 CLEANING AND MAINTENANCE .....	20
4.1 Cleaning After Each Use .....	20
4.1.1 Commode Pan.....	20
4.1.2 Seat.....	20
4.2 Cleaning As Needed .....	20
4.2.1 Adjustable-Tension Back Upholstery.....	20
4.2.2 Frame, Arm Supports, Adjustable Foot Supports, and Other Components .....	20
4.3 Suggested Cleaning Products .....	20
5.0 LIMITED WARRANTY .....	21
6.0 CONTACTS.....	22

## 1.0 GENERAL INFORMATION

### 1.1 Raz-CAT Mobile Shower Commode Chair Overview



### 1.2 Raz-CAT Mobile Shower Commode Chair Specifications

SPECIFICATIONS	Raz-CAT
<b>WEIGHT CAPACITY</b>	136 kg (300 lbs)
<b>FRAME WIDTH seat frame</b>	46 cm (18")
<b>BACK FRAME WIDTHS</b>	35 cm (14"), 40 cm (16"), or 46 cm (18")
<b>OVERALL WIDTH</b>	58 cm (22.75") with the 46 cm (18") back 55 cm (21.75") with narrower back
<b>OVERALL LENGTH at 0° tilt, with foot supports</b>	86 cm (34")
<b>OVERALL LENGTH at 40° tilt, with foot supports</b>	126 cm (49.5")
<b>SEAT WIDTH commode seat</b>	46 cm (18")
<b>SEAT DEPTH front of the back post to the front of the seat</b>	28-41 cm (11"-16")
<b>CLEARANCE WIDTH</b>	40 cm (15.75")
<b>CLEARANCE HEIGHT with pan brackets</b>	43-53 cm (17"-21")
<b>CLEARANCE HEIGHT without pan brackets</b>	45-55 cm (17.75-21.75")
<b>ARM SUPPORT (ARMRESTS) HEIGHT ABOVE SEAT</b>	38cm (15") high back: 14-20 cm (5.5"-8") 46 cm (18") high back: 16.5-23 cm (6.5"-9") in 1.25 cm (½") increments
<b>SEAT-TO-FLOOR HEIGHT</b>	55-65 cm (21.5"-25.5") in 2.5 cm (1") increments
<b>PRODUCT WEIGHT with foot supports</b>	25 kg (55 lbs)
<b>FRAME AND HARDWARE MATERIAL</b>	Stainless Steel (Lifetime warranty against corrosion)
<b>MINIMUM TURNING CIRCLE</b>	97 cm (38")

## 2.0 SET-UP: INTENDED FOR DEALER USE ONLY

IMPORTANT NOTE: If the threads are not lubricated, cold-welding of fasteners can occur.

- Apply a lubricant (liquid detergent, soap, lip balm, wax, etc.) to the threads before tightening the fasteners to reduce the possibility of cold welding.
- Do not overtighten fasteners.

# IMPORTANT !

ADJUSTMENTS SHOULD NEVER BE ATTEMPTED WITH THE USER IN THE CHAIR.

## 2.1 Back Support

### 2.1.1 Back Support Installation

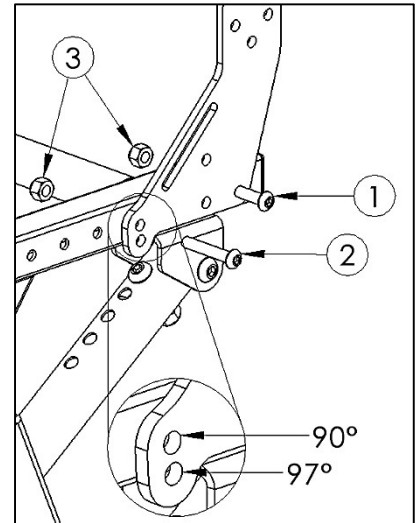
Tools required: 5/32" hex key, 7/16" wrench

1. Remove the Shower Chair from the shipping carton.
2. Lift the back support to an upright position.
3. Insert an included ① hex socket button head screw through the rear hole on the back support plate, through the seat frame.
4. Insert the other ② hex socket button head screw into the front hole on the back support plate, through the seat frame.

*NOTE: Select the upper hole for a 90° back support angle or the lower hole for a 97° back support angle.*

5. Attach the ③ locknuts.
6. Tighten the assembly.
7. Repeat steps 3 to 5 for the other back support plate.

*NOTE: The depth of the seat may be adjusted from 11" to 16" depending on the mounting location of the back support.*



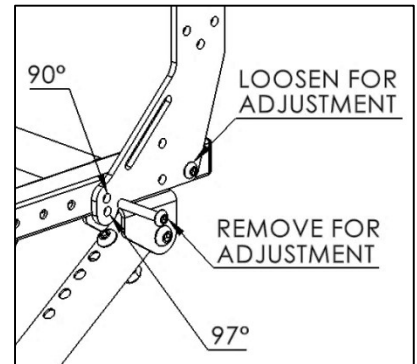
### 2.1.2 Back Support Angle Adjustment

Tools required: 5/32" hex key, 7/16" wrench

1. Loosen (do not remove) the locknuts on both sides of the seat frame.
2. Remove the front screw from the back support fins on both sides as shown in the image.
3. Rotate the back support to one of 2 positions on the fins.

*NOTE: Select the top hole for a 90° back support angle or the bottom hole for a 97° back support angle.*

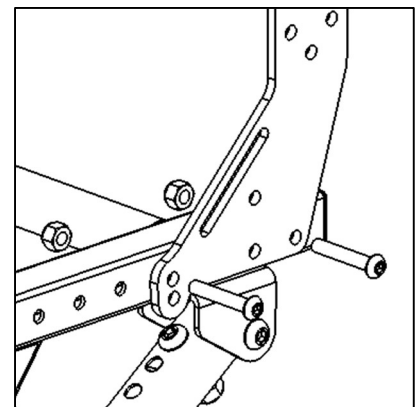
4. With the back support in place, insert the screws through the selected hole on the back support fins, through the seat frame.
5. Fasten the other end of the screws with locknuts.
6. Tighten the assembly with a hex key and wrench until the end of the screw extends 1 or 2 threads beyond the nylon locknut.



### 2.1.3 Back Support Depth Adjustment

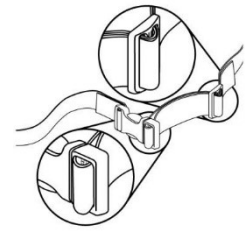
Tools required: 5/32" hex key, 7/16" wrench

1. Loosen and remove the locknuts on both sides of the seat frame.
2. Remove both screws from the back support fins.
3. Reposition the holes of the back support fins onto the holes of the seat frame for the desired seat depth.
4. With the back support in place, insert the screws into the holes of the back support fins and push through the seat frame.
5. Fasten the other end of the screws with locknuts.
6. Tighten the assembly.



### 2.1.4 Adjustable-Tension Back Upholstery Adjustment

In order to adjust the back upholstery, each strap can be tightened or loosened in the buckles to achieve a wide range of positions. For example, the second and third straps from the bottom can be tightened to create more pronounced support in the lumbar area of the back.

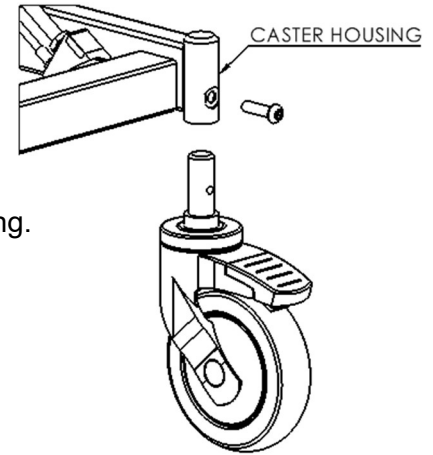


## 2.2 Caster Installation

The Raz-CAT chairs are shipped with casters not installed. Please follow the instructions below for caster installation.

Tool required: 5mm hex key

1. Insert caster stem into caster housing on the base frame.
2. Align the threaded hole in the caster stem with the hole in the caster housing.
3. Insert an M8 button-head screw into the hole on the caster housing.  
*NOTE: Ensure each M8 screw has a medium-strength thread locker solution on its threads before using.*
4. Thread the M8 screw through the caster housing and into the caster stem.
5. Continue to thread the M8 screw until it is tight.
6. Repeat steps 1 to 5 until all four casters are secured in place.



## 2.3 Arm Support Adjustment – Adjusta-Back Option Only

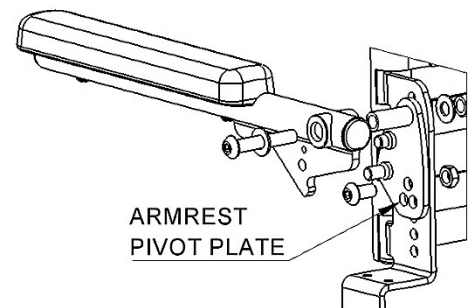
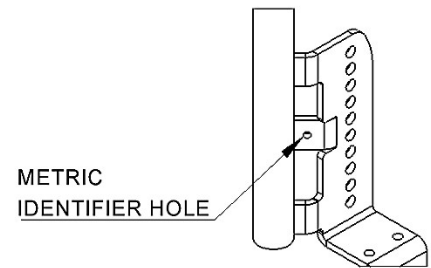
The tools required differ by hardware. Make sure the correct tools are selected for secure installation. Frame with the identifier hole is Metric.

- for Imperial 3/8" hardware: 7/32" hex key, 9/16" wrench;
- for Metric M8 hardware: 5mm hex key, 13mm wrench

### 2.3.1 Arm Support Height Adjustment

The arm supports are adjustable in height within a 3" range, in 1/2" increments *on the Adjusta-Back Option only*.

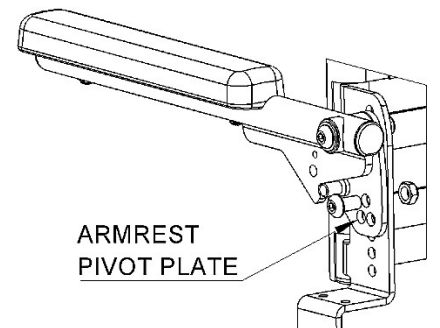
1. Loosen and remove the lower locknut.
2. Loosen and remove the upper locknut.
3. Keeping the arm support and arm support pivot plate assembly together, move the unit up or down on the arm support weldment depending on the user's needs.
4. Reinstall the locknut onto the upper screw.
5. Reinstall the locknut onto the lower screw.
6. Tighten screws and locknuts at the upper and lower.
7. Repeat steps 1 to 6 for the other arm support.



### 2.3.2 Arm Support Angle Adjustment

The arm support angle can be adjusted up 5° or down 5° if the back support angle is adjusted from the 90° factory position.

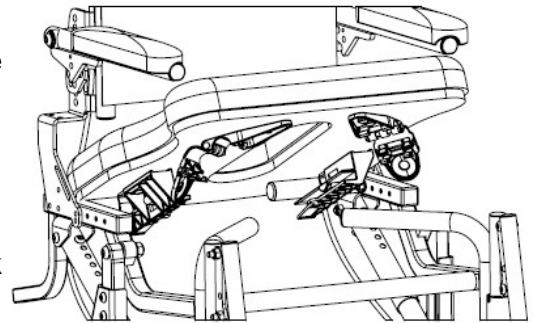
1. Loosen and remove the screw, washer and locknut on the bottom of the arm support pivot plate.
2. Keeping the upper screw in place, rotate the arm support assembly until the preferred position is reached by aligning one of the 3 holes (arranged in a triangle) on the arm support pivot plate with the holes on the arm support weldment.
3. Insert the screw into the preferred position on the arm support pivot plate and attach the locknut.
4. Tighten the screw and locknut.
5. Repeat steps 1 to 4 for the other arm support.



## 2.4 Raz Seats

### 2.4.1 Raz Seat Installation

1. Ensure that the front brackets are in the open position. To open the front brackets, simply squeeze the tabs on the hinged portion of the bracket.
2. Slide the rear of the seat over the rear cross tubes as the front of the seat is lowered onto the frame. Ensure that the rear seat brackets hook below the cross tubes.
3. Continue lowering the front of the seat until the front seat brackets nestle onto the front seat support tubes.
4. Secure the seat in place by closing the front seat brackets. To close the seat bracket, snap the clamp back onto its other half around the front support tubes.
5. Reverse steps 1 to 4 to remove the seat from the frame.



### 2.4.2 Ischial Pelvic Alignment System (IPAS) – Adjustment

The seat has approximately 5 cm (2”) of fore/aft adjustment allowing optimal positioning of the seat aperture around the user’s Ischial Tuberosities.

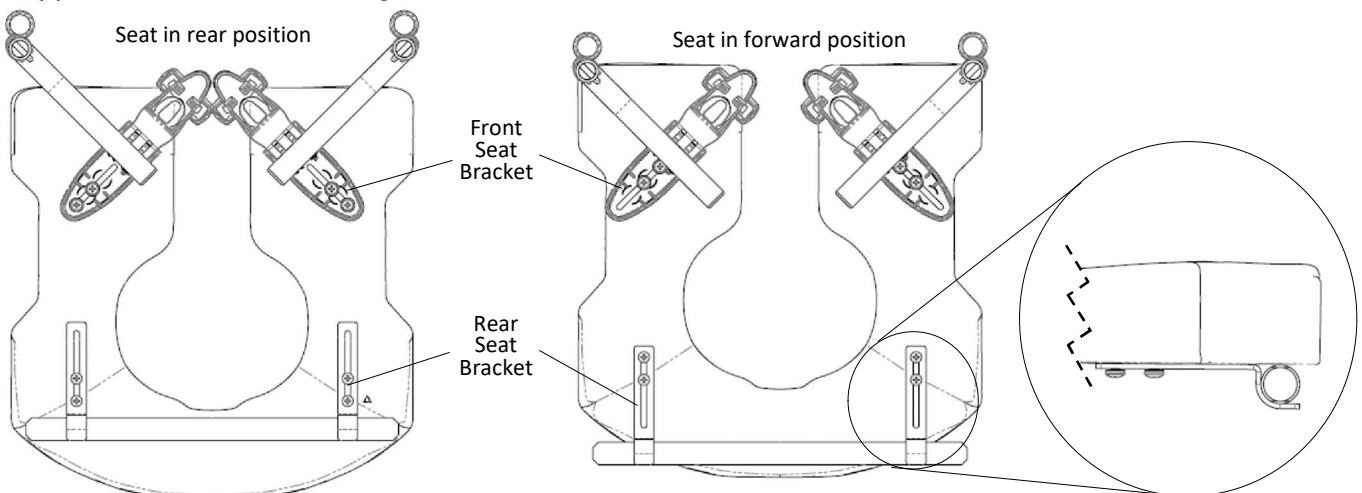
Tool Required: #2 Phillips screwdriver

1. Release the seat by opening the front seat brackets.
2. Lift the front of the seat and pull upward and then forward to remove the seat from the chair.
3. Loosen (but do not remove) the eight screws attaching the front seat brackets and rear seat brackets to the underside of the seat.

*Note: For clarity, the rear seat brackets are shown below without commode pan brackets.*

4. Place the seat back in position on the frame and close the front seat brackets around the front seat support tubes.
5. Slide/wiggle the seat to the desired position.
6. Ensure rear seat brackets are firmly positioned against the rear seat support tube.
7. Tighten all eight screws attaching the front and rear seat brackets to the seat to prevent further movement of the seat.

*Note: Ensure the front and rear seat brackets are securely latched around the front and rear seat support tubes before allowing a user to transfer into the chair.*

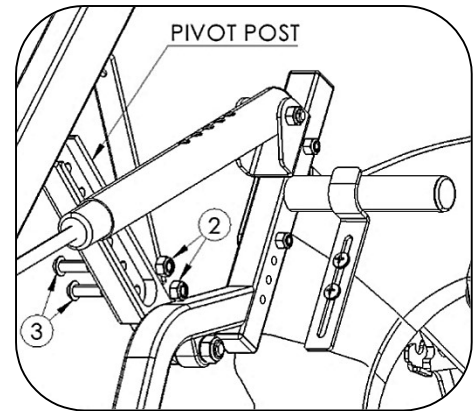
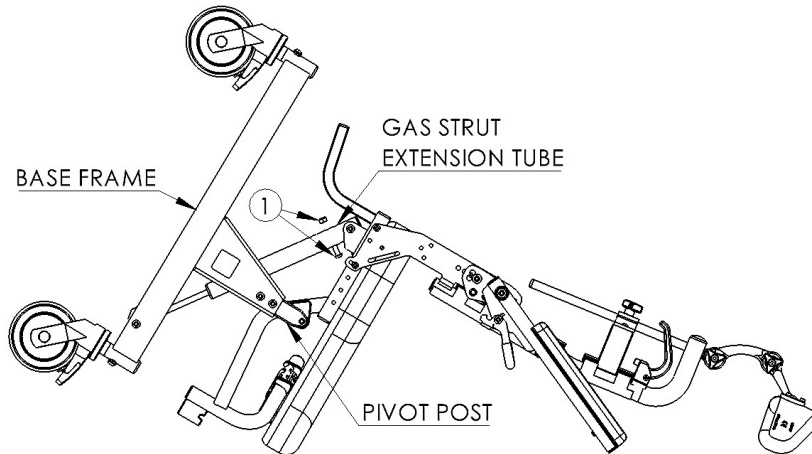
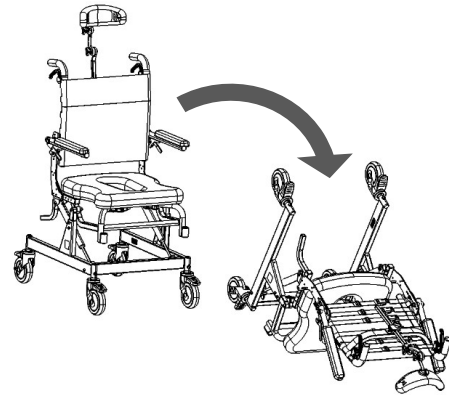


## 2.5 Seat-To-Floor Height Adjustment

To change the seat-to-floor height on a Raz-CAT model, adjust the pivot post heights on both sides of the chair.

Tools required: 5mm hex key, 13mm socket wrench

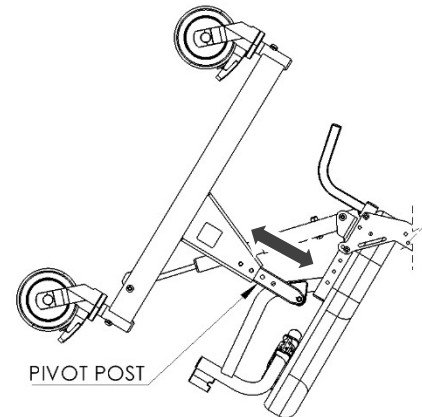
1. Ensure the chair is out of tilt by squeezing both tilt triggers.
2. Remove the foot supports if they are installed.
3. On a soft and clean surface (e.g. carpeted surface, flattened packaging box), carefully tip the chair forward as in the drawing below.



4. Remove the screws and locknuts ① from both gas strut extension tubes.
5. Remove the locknuts ② from both pivot posts. If needed, pivot the base frame for better access to the locknuts.
6. Remove the screws ③ from both sides.

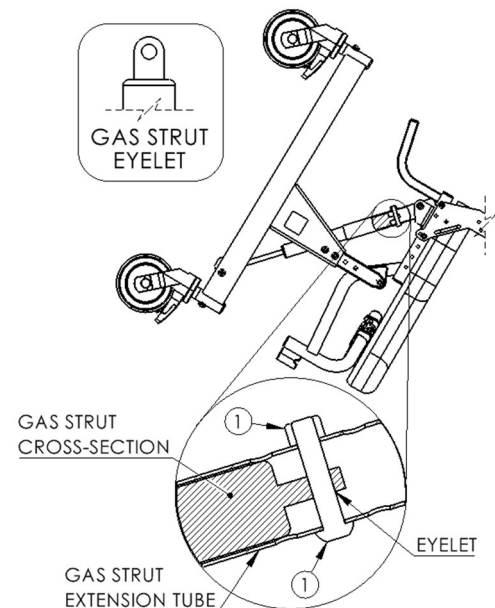
Tip: Slightly lift the base frame to relieve the pressure on the screws during removal or use a hex key to back out the screws.

7. Move the base frame along the pivot posts to the desired seat-to-floor height.
8. Align the pivot posts' holes to the base frame's holes.
9. Insert the screws ③ into the aligned holes on both sides.



Tip: Insert one screw on each side first rather than inserting both screws on one side before the other side.

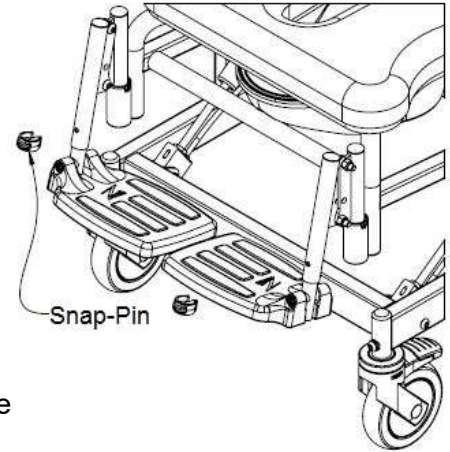
10. Attach the locknuts ②.
11. Level the seat frame to be parallel with the base frame, and align the eyelet of each gas strut to the nearest hole of the gas strut extension tube.
12. Install the screws through the aligned holes and attach the locknuts ①. The screws must be inserted through the gas strut extension tube and the eyelet of the gas strut as shown.
13. Ensure all hardware is installed securely before raising the chair to an upright position.



## 2.6 Foot Supports

### 2.6.1 Foot Support Installation

1. Remove the foot supports from the inner accessory box.
2. Place the foot support hanger tubes into the receivers, welded at the front of the chair frame. *If the support tubes are directed forward, the pins on the tubes will engage with grooves in the receivers and lock in place.*



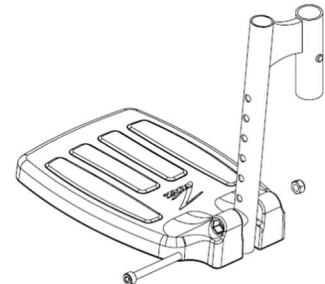
### 2.6.2 Standard and MFX12 Foot Support Adjustment

1. Remove a plastic snap-pin from the foot support hanger tube.
2. Adjust the footplate extension tube vertically to achieve the desired height in the foot support hanger tube.
3. Insert the snap-pin through the foot support hanger tube and the extension tube. Ensure that the snap-pin is completely through the tube and that the green plastic clip is snapped securely around the outside of the hanger tube.
4. Repeat steps 1 to 3 for the other footplate.

### 2.6.3 MFX 8 Foot Support Adjustment

Tools Required: 5mm hex key

1. Remove the M6 socket head screw from the foot support plate.
2. Relocate the foot support plate to the appropriate height along the foot support hanger tube.
3. Re-insert the screw and nyloc nut, then tighten.

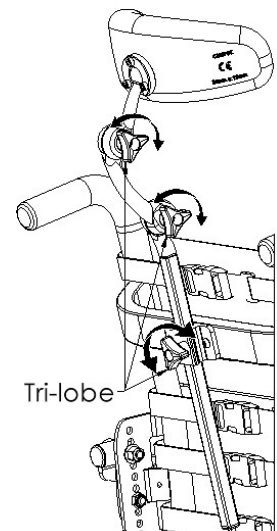


## 2.7 Molded Head Support Adjustment

A molded head support is included with all Raz-CAT Shower Chairs. It is shaped to cradle the head comfortably and is easy to clean. The head support can be adjusted indefinitely forward and backward within a 5" range and vertically within an 11½" range.

### 2.7.1 Head Support Installation

1. Remove the head support assembly from the inner accessory box.
2. Insert the square tube of the head support assembly into the receiver on the back support while ensuring the molded pad is facing forward.
3. Unfold the head support by loosening the Tri-lobes.
4. Adjust the angle and height to the user's preference.
5. Tighten the Tri-lobes fully to secure the angle and height of the molded head support.



### 2.7.2 Head Support Adjustment

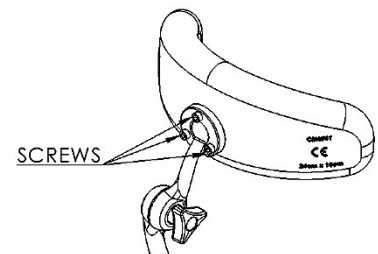
To adjust the position of the head support:

1. Loosen the Tri-lobes on the head support assembly.
2. Adjust the angle and height to the user's preference.
3. Tighten the Tri-lobes to fully secure the head support position.

To adjust the angle of the head support pad:

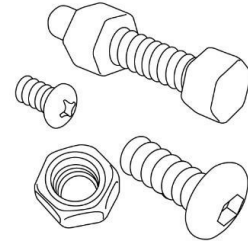
Tool required: 4mm hex key

1. Loosen (do not remove) the three screws on the back of the molded head support.
2. Rotate the head support pad around the end of the head support mounting bar to suit the user's needs.
3. Tighten the screws to secure the position of the pad.
4. Ensure that all knobs and screws are tightened securely for the user's safety.



## 2.8 Fastener Installation

All fasteners should be installed securely. Locknuts that are removed for any reason may need to be replaced rather than re-used. Check the performance of nyloc nuts when re-attaching to the screw. There should be significant detectable resistance when tightening. If not, replace the nyloc nut with a new one. It is advisable to check annually that all fasteners are secure.



### **IMPORTANT !**

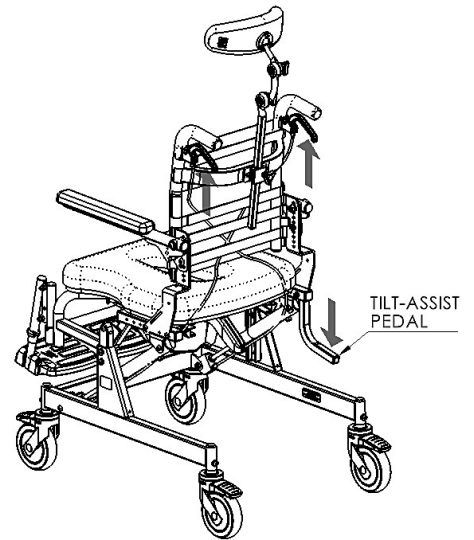
**INCREASING THE SEAT HEIGHT AND THE BACK SUPPORT ANGLE WILL DECREASE REARWARD STABILITY. IT IS ESSENTIAL THAT A STABILITY CHECK BE PERFORMED AFTER ANY OF THESE ADJUSTMENTS ARE MADE.**

## 3.0 USE AND OPERATION

### 3.1 Tilt Function

The Raz-CAT Shower Commode tilts up to 40° to provide comfort and relieve pressure for the user. Two gas spring struts facilitate this tilting action, making the tilt smooth for the user and the attendant. The attendant must squeeze both tilt triggers to tilt the chair to the desired angle. To lock the chair in place, the attendant can release the triggers. Directly after purchase, the triggers and springs may seem stiff. This stiffness is normal and diminishes with use. Using the tilt-assist pedal will help to tilt the seat frame back. The tilt function must only take place when the casters are locked.

*NOTE: When the chair is mounted at the lowest height setting, the maximum potential tilt angle is 40°. The higher the chair is set, the fewer degrees the chair can be tilted back. (With a seat-to-floor height of 25" the chair can be tilted back 36°)*

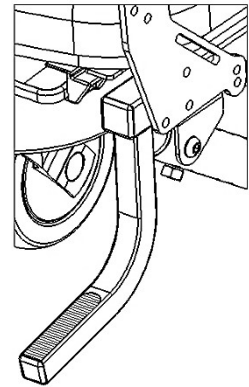


## IMPORTANT !

**DO NOT ATTEMPT TO TILT A RAZ MOBILE SHOWER COMMODE CHAIR IF THE ATTENDANT IS PHYSICALLY INCAPABLE OF SAFELY AND SMOOTHLY OPERATING THE TILT MECHANISM WITH A USER OCCUPYING THE CHAIR. ANY ATTENDANT MUST BE FAMILIAR WITH PROPER TILTING TECHNIQUES PRIOR TO ASSISTING A USER IN THE SHOWER COMMODE. A PELVIC STRAP IS RECOMMENDED FOR ANY USER AS AN EXTRA SAFETY PRECAUTION.**

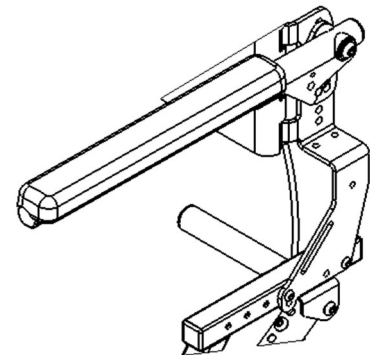
### 3.2 Tilt-Assist Pedal

A Tilt-Assist Pedal is standard on the Raz-CAT to assist in tilting the chair for attendants.



### 3.3 Flip-Up Arm Supports

The Adjusta-Back is adjustable in angle and has arm supports that can be adjusted in height and angle. The arm supports can flip up to allow for ease of transfer. If optional arm support locks are included, they will lock automatically when flipped down.

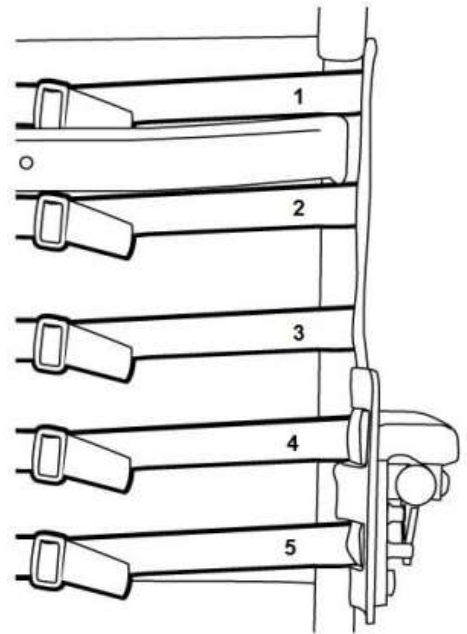


### 3.4 Adjustable-Tension Back Upholstery

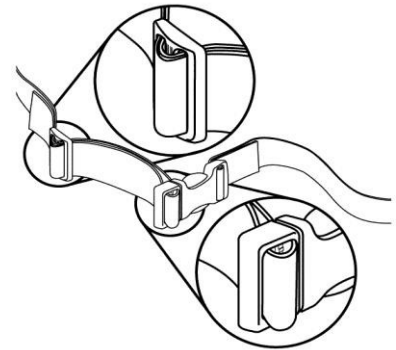
The Multi-Position Back comes with an Adjustable-Tension Back Upholstery that provides trunk support for optimal positioning and comfort. The upholstery is removable for machine washing and available in 14", 16", and 18" widths in accordance with the back height selected for the chair.

To install the Adjustable-Tension Back Upholstery on a Multi-Position Back:

1. Place the fabric against the front of the back support canes ensuring that when wrapped around, the clips on the straps face away from the fabric and the loops point downwards.
2. The highest strap (1) is positioned above the crossbar.
3. Second (2) and third (3) straps are positioned between the crossbar and back support mounting plates.
4. The fourth (4) and fifth (5) straps are fed through the slots in the arm support mounting plates.
5. An 18" high back includes a sixth strap, which should be positioned between the crossbar and arm support mounting plates.
6. Adjust all of the straps to meet the user's needs.



In order to adjust the back upholstery of the back support, each strap can be tightened or loosened to achieve a wide range of positions. For example, the second and third straps from the bottom can be tightened to create more pronounced support in the lumbar area of the back.

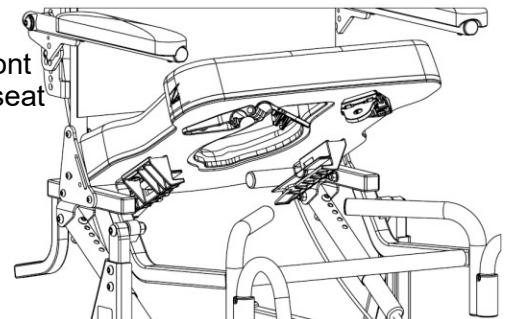


To remove the Adjustable-Tension Back Upholstery, release the buckles on the straps.

### 3.5 CAT Seat

To install a Raz Seat:

1. Ensure that the front brackets are in the open position. To open the front brackets, simply pry open.
2. Slide the rear of the seat over the rear cross tubes as the front of the seat is lowered onto the frame. Ensure that the rear seat brackets hook below the cross tubes.
3. Continue lowering the front of the seat until the front seat brackets nestle onto the front seat support tubes.
4. Secure the seat in place by closing the front seat brackets. To close the seat bracket, snap the clamp back onto its other half around the front support tubes.
5. Reverse steps 1 to 4 to remove the seat from the frame.



## IMPORTANT !

**NEVER ATTEMPT TO CHANGE THE SEAT HEIGHT WITHOUT THE HELP OF A QUALIFIED DEALER. HIGHER SEAT POSITIONS WILL REDUCE THE CHAIR'S STABILITY AND MAY RESULT IN TIPPING AND INJURY.**

### 3.6 Standard MFX12 Foot Supports (Footrests)

The MFX12 Footrests are standard on all Raz-CAT. The footrests can be flipped up, rotated away, or removed entirely for transfers. Adjustable MFX12 Footrests can be extended for users with longer legs with the optional footrest extension tube, a 2" longer tube that can be ordered for any Raz Mobile Shower Commode Chair.

To insert the footrests:

1. Place the footrest hanger tubes into the footrest receivers.
2. If the hanger tubes are aligned forward, the pins on the tubes will engage with grooves in the receivers and lock in place.

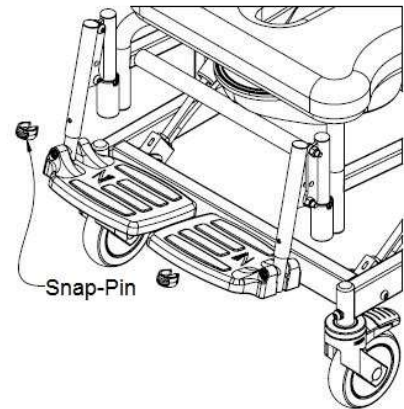
To adjust the length of the footrests:

1. Remove the snap-pin from one footrest hanger tube.
2. Reposition the footplate to a length suitable for the user.
3. Insert the snap-pin through the footrest hanger tube and through the inner tube.

To rotate the footrests:

1. Lift the footrest hanger tubes to disengage the pins.
2. Rotate the footrests outward or inward.

To remove the footrests, lift the footrests out of the receiving sleeves on the frame.

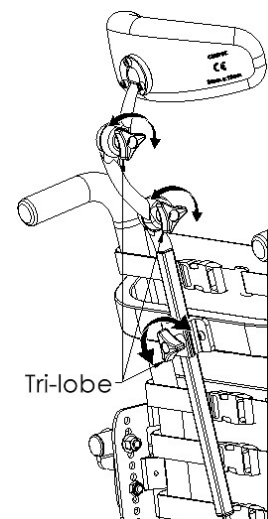


### 3.7 Molded Head Support (Headrest)

A molded headrest is included with all Raz-AT Shower Chairs. It is shaped to cradle the head comfortably and is easy to clean. The headrest can be adjusted indefinitely forward and backward within a 5" range and vertically within an 11½" range.

To adjust the molded headrest:

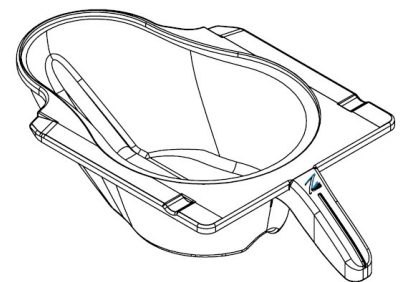
1. Loosen the Tri-lobes on the molded headrest assembly.
2. Adjust the angle and height to the user's preference.
3. Tighten the Tri-lobes fully to secure the angle and height of the molded headrest.
4. Ensure that all Tri-lobes are tightened securely for the user's safety.



### 3.8 Commode Pan

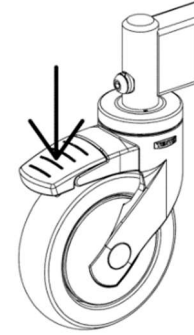
The Raz Commode Pan is designed with an elongated shape that fits directly under the seat to minimize backsplash. A unique splash-reduction ridge is located at the center of the pan. The high gloss surface facilitates cleaning and rinsing, while the pouring spout and handle facilitate emptying. Removal of the Commode Pan is achieved by sliding the pan rearward.

*NOTE: When re-inserting the pan, ensure that the pan is guided into the green plastic brackets and pushed forward until it hits the stops.*



### 3.9 Casters

Each Raz Mobile Shower Commode Chair caster is equipped with a dual-lock feature, which stops the caster from swiveling and rolling simultaneously. To engage the dual-lock, step on the end of the caster brake lever until it latches in the “on” position. To deactivate the dual-lock, step on the raised end of the lever until it releases.



***ALWAYS*** release the directional lock (if applicable) and swivel all four casters to their outward position for maximum stability before transferring or tilting a user

## **IMPORTANT !**

**A QUALIFIED RAZ DEALER SHOULD BE CONTACTED TO CHECK ALL FASTENERS, CASTER AND WHEEL LOCKS, HARDWARE, AND ALL OTHER MOVING COMPONENTS AT LEAST ONCE PER YEAR.**

## 4.0 CLEANING AND MAINTENANCE

### 4.1 Cleaning After Each Use

#### 4.1.1 Commode Pan

1. Remove the commode pan and empty the contents.
2. Wash the pan with a multi-purpose disinfectant cleaning solution. Use a soft brush if needed.
3. Rinse well before storage or re-use.

*NOTE: A soapy hot water wash followed by a disinfectant spray can be substituted for a multi-purpose disinfecting cleaning solution.*

#### 4.1.2 Seat

1. Spray with a multi-purpose disinfectant cleaner and scrub with a soft brush as required.
2. Rinse with a water spray before storage or re-use.  
**DO NOT IMMERSE** the seat in water or cleaning solutions.
3. For a more thorough cleaning, remove the seat from the shower chair to allow better access to the seat's underside and around the seat's opening.

### 4.2 Cleaning As Needed

#### 4.2.1 Adjustable-Tension Back Upholstery

1. Remove the plastic buckles and tri-glides from the back upholstery straps, paying attention to how the straps are wound through each component as they are removed.
2. Remove the back upholstery from the back frame and machine wash with a mild detergent in warm water on a normal or gentle wash cycle. Include other strap accessories such as the H-strap, pelvic and chest positioning straps.
3. Install the back upholstery and other positioning accessories on the chair and allow to dry.  
**DO NOT** dry the back upholstery in a clothes dryer or damage to the upholstery may occur.
4. Assemble all plastic buckles and tri-glides onto straps.
5. Adjust the straps to the desired tension.

#### 4.2.2 Frame, Arm Supports, Adjustable Foot Supports, and Other Components

1. Spray the frame and components with a multi-purpose disinfectant cleaner, scrub with a soft brush, and rinse with water.
2. If necessary, spray the frame and components with a diluted (10 parts water to 1 part solution) calcium/lime remover (such as CLR), scrub with a soft brush, and rinse thoroughly with water.  
**DO NOT** mix a calcium/lime removal solution with any other liquid or toxic fumes may occur.  
**DO NOT** use chlorine bleach on any Raz components.

It is recommended to the user that a qualified Raz dealer check all fasteners and subassemblies to see if there is cause for concern regarding the shower chair's performance.

Several times each year the shower chair and its components should be wiped down with a diluted calcium/lime removal solution to reduce deposits, followed by a hot water rinse.

To reduce the risk of mildew buildup, the entire chair should be wiped down with a soft dry cloth after the final rinse and before storage or use.

### 4.3 Suggested Cleaning Products

Task	Recommended Products
General Cleaning	Antibacterial Detergent
Tuberculocidal Surface Cleaner Intermediate Level Disinfectant	Oxiver TB (Virox Technologies Inc.) SepteFX 7D-11 (Titan Worldwide Inc.)
Calcium and Lime Deterrent	CLR

## **IMPORTANT !**

**DO NOT USE ABRASIVE POWDERS OR SCOURING PADS ON THE RAZ MOBILE SHOWER COMMUNE CHAIR.**

**DO NOT SUBMERGE THE RAZ MOBILE SHOWER COMMUNE CHAIR.**

**RINSE THOROUGHLY AFTER CLEANING TO ENSURE ANY SOAP OR DETERGENT RESIDUE IS REMOVED.**

**DO NOT USE CLEANING PRODUCTS WITHOUT CONSULTING THE PRODUCTS' INSTRUCTIONS AND TAKING APPROPRIATE PRECAUTIONS FOR HUMAN EXPOSURE TO CHEMICALS.**

### **5.0 LIMITED WARRANTY**

This warranty is extended only to the original purchaser/user for Raz Mobile Shower Commode Chairs that have been purchased from a qualified Raz dealer.

This warranty gives you specific legal rights, but you may have additional legal rights depending on your region and country.

This warranty shall be extended to comply with state/provincial laws and requirements.

With regards to the original purchaser/user only, Raz Design warrants its base and back frame components to be free of defects in materials and workmanship for a period of two (2) years from the date of purchase. All other components on the Raz Mobile Shower Commode Chair are covered for a period of one (1) year and are subject to normal wear and tear exclusions. If within such warranty period any such product shall be proven to be defective, the part will be repaired or replaced, at Raz Design's discretion. This warranty does not include any labor or shipping charges incurred in replacement, part installation, or repair of any such product.

For warranty service, please contact the dealer from whom you purchased your Raz Mobile Shower Commode Chair. In the event that you do not receive satisfactory warranty service, please contact Raz Design directly using the contact information located in either the beginning or the end of this manual. In your correspondence please provide your dealer's name and address, the product type, the date of purchase, the chair's serial number (on a grey label located on the chair frame), as well as the nature of the product issue. Do not return products to the manufacturer without prior authorization.

#### **Limitations and Exclusions:**

The foregoing warranty shall not apply to serial numbered products if the serial number has been removed or defaced, and to products subjected to negligence or an accident. Improper operation, maintenance, or storage may void the warranty coverage on the Raz Mobile Shower Commode Chair.

The warranty does not apply to products modified without Raz Design's express written consent. This includes, but is not limited to, modification through the use of unauthorized parts or attachments, products damaged by reason of repairs made to any component by an individual or individuals who are not employed by a qualified Raz dealer, or to a product damaged by circumstances beyond Raz Design's control. Only Raz Design will have the authority to determine whether or not the circumstances are eligible for warranty coverage. The warranty will not apply to problems arising from normal wear or failure to adhere to the instructions contained in this manual.

The foregoing warranty is exclusive and in lieu of any other warranties, whether express or implied, including the implied warranties of merchantability and fitness for a particular purpose. The sole remedy for violations of any warranty whatsoever will be limited to the repair or replacement of the defective product in compliance with the terms contained in this document.

The application of any implied warranty shall not extend beyond the duration of the express warranty provided herein. Raz Design will not be liable for any consequential or incidental damages to part or whole of a Raz Mobile Shower Commode Chair.

*Raz Design Inc. frame and hardware material are made of stainless steel for which we offer a lifetime warranty against corrosion. Please be advised this lifetime warranty is only extended to the original purchaser/user of Raz Shower Chairs that have been purchased from a qualified Raz dealer. Failure to comply with proper cleaning instructions may cause corrosion to the frame thereby voiding this warranty. Additionally, all claims of corrosion are subject to review and a request may be made for the return of the device in question, for a thorough examination, before a replacement order can be processed.*

## 6.0 CONTACTS

It is important that the Raz Mobile Shower Commode Chair be properly assembled and all adjustments be made carefully. Up-to-date manuals can be downloaded from [www.razdesigninc.com](http://www.razdesigninc.com). For clarification of any section of this manual, contact your distributor or the manufacturer.



### MANUFACTURER

Raz Design Inc.  
135 Railside Rd. Toronto, ON, Canada, M3A 1B7  
877.720.5678 / +1.416.751.5678  
[info@razdesigninc.com](mailto:info@razdesigninc.com)



## IMPORTANT !

PRODUCTS THAT CAN NO LONGER BE USED ARE TO BE DISPOSED OF SEPARATELY FROM HOUSEHOLD WASTE. THIS MUST BE DONE ACCORDING TO THE LOCAL AND NATIONAL REGULATIONS FOR ENVIRONMENTAL PROTECTION AND RAW MATERIAL RECYCLING. PLEASE LOOK AT YOUR LOCAL GOVERNMENT WEBSITE FOR FURTHER INFORMATION ON THE CORRECT DISPOSAL.

IF IT IS EVER FELT THAT ANY ASPECT OF THE RAZ MOBILE SHOWER COMMODOE CHAIR IS IN NEED OF MAINTENANCE, CONTACT YOUR DEALER. ANY PROBLEMS THAT COULD AFFECT THE SAFE USAGE OF THE CHAIR MUST BE ATTENDED TO IMMEDIATELY. THE DEALER THAT PROVIDED THE MOBILE SHOWER COMMODOE CHAIR MUST BE CONTACTED SO THAT REPAIRS CAN BE MADE PRIOR TO USING THE CHAIR. IT MUST BE MADE CLEAR TO THE DEALER THAT THE MOBILE SHOWER COMMODOE CHAIR IS IN NEED OF MAINTENANCE AND IS UNAVAILABLE FOR USE UNTIL REPAIRS HAVE BEEN UNDERTAKEN AND ALL PROBLEMS RESOLVED.

IF FOR ANY REASON, YOUR DEALER DOES NOT RESPOND TO YOUR SATISFACTION, PLEASE CONTACT RAZ DESIGN:

BY EMAIL	<a href="mailto:info@razdesigninc.com">info@razdesigninc.com</a>
BY PHONE	877.720.5678 (North America) +1.416.751.5678 (Rest of World)