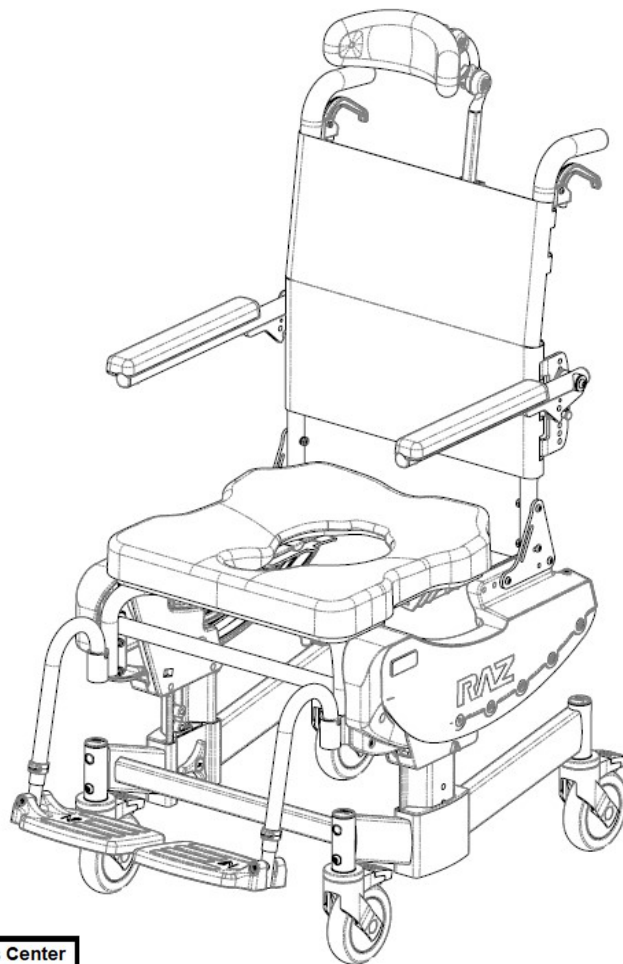




Mobile Shower Commode Chairs

Raz-ART (Z333)

User and Dealer Manual



EC REP	Advena Ltd. Tower Business Center 2nd Flr, Tower Street Swatar, BKR 4013 Malta
UKRP	Advena Ltd. Pure Offices, Plato Close Warwick, CV34 6WE UK
CH REP	Senectovia Medizinaltechnik AG In der Luberzen 1, 8902 Urdorf, Switzerland



BASIC UDI-DI: 628758RAZDESIGNINC2004V9

SAFETY PRECAUTIONS

Failure to comply may cause injury or damage!

It is important that the Raz-ART Mobile Shower Commode Chair is properly assembled and that all adjustments are properly made. Please ensure that the user(s), dealer(s), and attendants(s) have read this manual and thoroughly understood the safe operation of the Raz-ART before using the chair. Up-to-date manuals are available online at www.razdesigninc.com. For clarification of any section of this manual, please contact your dealer, distributor, or manufacturer.



MANUFACTURER

Raz Design Inc.

135 Railside Rd. Toronto, ON, Canada, M3A 1B7

877.720.5678 / +1.416.751.5678

info@razdesigninc.com



PRODUCT	MAXIMUM USER WEIGHT CAPACITY
Raz-ART	160 kg (352 lbs)

SAFETY WARNINGS

THIS DEVICE IS SUITABLE FOR TYPE B: LIMITED USAGE (e.g. DOMESTIC / HOME USE) AND SHOULD NEVER BE USED FOR ANY PURPOSE OTHER THAN ORIGINALLY INTENDED

Stability

The casters on all models are equipped with dual locks. The step-on pedal activates both the roll lock and the swivel lock. ***It is essential that all casters on the shower chair be in an outward position before engaging the locks, for optimal forward, rearward, and lateral stability.***

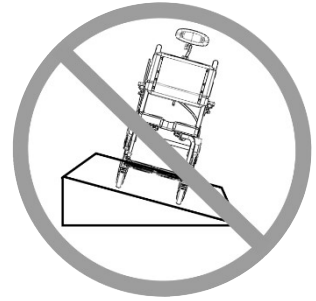
USERS MUST NOT lean forward while sitting in the Raz-ART as this may cause the chair to tip forward.

USERS MUST NOT lean over the edge of the Raz-ART as this could cause the chair to tip.

USERS MUST NOT attempt to pick up objects from the floor by leaning over and reaching – a reacher or grabber tool should be used, or seek assistance from an attendant.



USERS MUST NOT be rolled up or down a ramp without an attendant who is capable of controlling the Raz-ART with the user in the chair, during the ascent or descent.



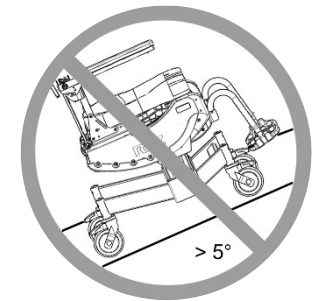
CASTER LOCKS ARE NOT BRAKES! Never use the caster locks to slow down the Raz-ART when descending inclines as this could cause the chair to tip in the direction of travel.

USERS MUST NOT position the Raz-ART on a side slope as this could cause it to tip.

Ramps and Other Inclines

Ramps or other surfaces that are not level (such as slopes into wheel-in showers) must be tested with an attendant to ensure the stability of the chair is not compromised. A qualified healthcare professional should be consulted to assist with this process.

DO NOT push or pull the Raz-ART up or down an incline or ramp that exceeds a 1:12 grade (5° slope).



DO NOT allow any user to be propelled (pushed or pulled) in the Raz-ART in any other manner than by an attendant.

Immersion

The Raz-ART is not designed to be used as a pool chair. Do not immerse the shower chair in whole or in part, in water or any other liquid. Damage to the shower chair components may result.

Chlorine Exposure

Suitable for use in wet areas, but not pools and similarly corrosive environments.

DO NOT store the device near pools because chlorine in the air will cause the device to rust.

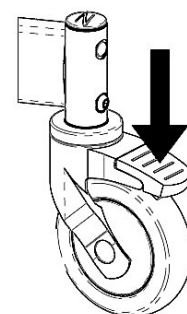
Transfers

The most dangerous part of using any shower chair is the transfer. Since every chair has different stability characteristics, it is essential to carefully review and test the transfer technique to ensure the procedure is safe. Test transfers should be performed with an attendant who can prevent the chair from tipping or moving during the transfer. If you feel that the transfers cannot be repeatedly performed safely, contact a healthcare professional who is familiar with transfer techniques and assistive equipment. Individuals who have not learned safe transfer skills must seek assistance during transfers and may require a mechanical lift.

Transferring onto the Raz-ART Shower Chair

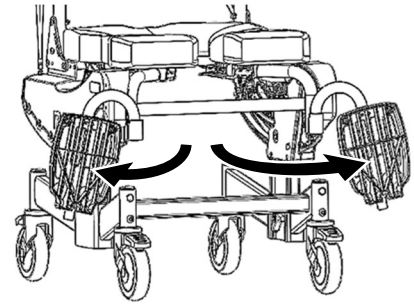
ALWAYS lock all four casters with the front casters positioned in the forward for maximum chair stability.

Transfers should never be attempted with the shower chair positioned on slippery surfaces. It is recommended that transfers be performed on clean, dry, non-slippery surfaces. Hard surface flooring such as tile, wood, or concrete may not provide sufficient grip to keep locked casters from sliding. A fully carpeted surface is optimal. Be aware that area rugs and shower mats can slide on floors and thereby present a hazardous surface.



DO NOT stand on any part of the frame of the Raz-ART.

NEVER use the foot supports (footrests) to assist in transfers. This could cause the chair to tip. The footrests should be swung to the side or removed entirely during transfers to provide unobstructed access to the Raz-ART.



The Raz-ART **is NOT** intended for use as a transportation device or as a long-term seating system.

Tilt Function

ALWAYS check the tilt function and ensure both sides of the tilt mechanism and release cable assemblies are fully operational **BEFORE** the user occupies the chair.

A pelvic strap can act as an additional safeguard for the user. A pelvic support strap may be ordered as an option with the Raz-ART.

DO NOT attempt to tilt an occupant if the attendant is physically incapable of safely and smoothly operating the tilt function.

NEVER leave the user unattended in a Raz-ART Shower Chair. The Raz-ART Shower Chair **is NOT** intended for use as a transportation device or a long-term seating system.

IMPORTANT !

USERS SHOULD NEVER BE LEFT UNATTENDED IN A RAZ-ART.

IMPORTANT !

DO NOT LIFT THE RAZ-ART WITH OR WITHOUT AN OCCUPANT BY THE ARM SUPPORTS OR FOOT SUPPORTS!

IMPORTANT !

ALWAYS BE SURE THE SEAT IS PROPERLY INSTALLED AND LATCHED BEFORE A USER IS TRANSFERRED ONTO THE CHAIR. THE REAR SEAT ATTACHMENT BRACKETS MUST BE FULLY HOOKED UNDER THE REAR SEAT SUPPORT TUBES. THE FRONT SEAT ATTACHMENT BRACKETS MUST BE SECURELY LATCHED AROUND THE FRONT SEAT SUPPORT TUBES. BOTH FRONT AND REAR SEAT ATTACHMENT BRACKETS SHOULD BE SECURED IN PLACE BY TIGHTENING THE 8 SCREWS ON THE UNDERSIDE OF THE SEAT.

INSTRUCTIONS FOR THE PROPER REMOVAL AND INSTALLATION OF THE SEAT FOR CLEANING MUST BE PROVIDED TO THE USER AND / OR ATTENDANTS.



IMPORTANT !

THE RAZ-ART IS INTENDED FOR FOLLOWING USES:

- **AS AN AID FOR SHOWERING/BATHING, GOING TO THE TOILET, AND OTHER ACTIVITIES ASSOCIATED WITH PERSONAL CARE AND PERSONAL HYGIENE;**
- **AS A SUPPORT FOR THE BODY OF THE USER IN A SEATED OR RECLINED POSITION;**
- **WITH OR WITHOUT THE ASSISTANCE FROM A CAREGIVER;**
- **TOILETING OVER A STANDARD TOILET, OR AS A COMMUNE WITH THE COMMUNE PAN;**
- **IN INDOOR ENVIRONMENTS ONLY;**
- **IN BOTH TYPE A, HIGH USAGE (e.g. INSTITUTIONAL) ENVIRONMENTS AND IN-HOME ENVIRONMENTS.**

THE RAZ-ART DOES NOT PERFORM ANY THERAPEUTIC OR DIAGNOSTIC FUNCTIONS AND IS NOT INTENDED FOR USE FOR ANY THERAPEUTIC OR DIAGNOSTIC PURPOSES. ALL PRODUCTS WITHIN THE RAZ FAMILY ARE NON-STERILE, REUSABLE, NON-INVASIVE, AND NON-IMPLANTABLE.

THE RAZ-ART IS INTENDED TO BE USED BY PEOPLE WITH MOBILITY IMPAIRMENTS, WHO MAY HAVE DIFFICULTY IN STANDING OR KEEPING THEIR BALANCE WHILE COMPLETING ACTIVITIES SUCH AS SHOWERING, TOILETING, OR PERSONAL HYGIENE. TYPICAL USERS HAVE LIMITED ENDURANCE AND POSTURAL CONTROL AND MAY REQUIRE ASSISTANCE FROM A CAREGIVER FOR ACTIVITIES SUCH AS SHOWERING, TOILETING, OR PERSONAL HYGIENE. FOR PRODUCTS WITH RECLINE FUNCTION, USE OF THE RECLINE FUNCTION MAY BE CONTRA-INDICATED WHERE THE USER IS SENSITIVE TO SHEARING FORCES ON SEATED SURFACES WHEN OPENING THE SEAT-TO BACK-ANGLE.






CAUTION

RISK OF BURNING YOUR SKIN

THE PRODUCT COMPONENTS CAN HEAT UP WHEN EXPOSED TO EXTERNAL SOURCES OF HEAT.

- **CONSIDER HEATED SURFACES WHEN USING THE SHOWER AND TOILET CHAIR WHEN IT IS EXPOSED TO HOT WATER**
- **DO NOT EXPOSE THE PRODUCT TO DIRECT SUNLIGHT BEFORE USE**

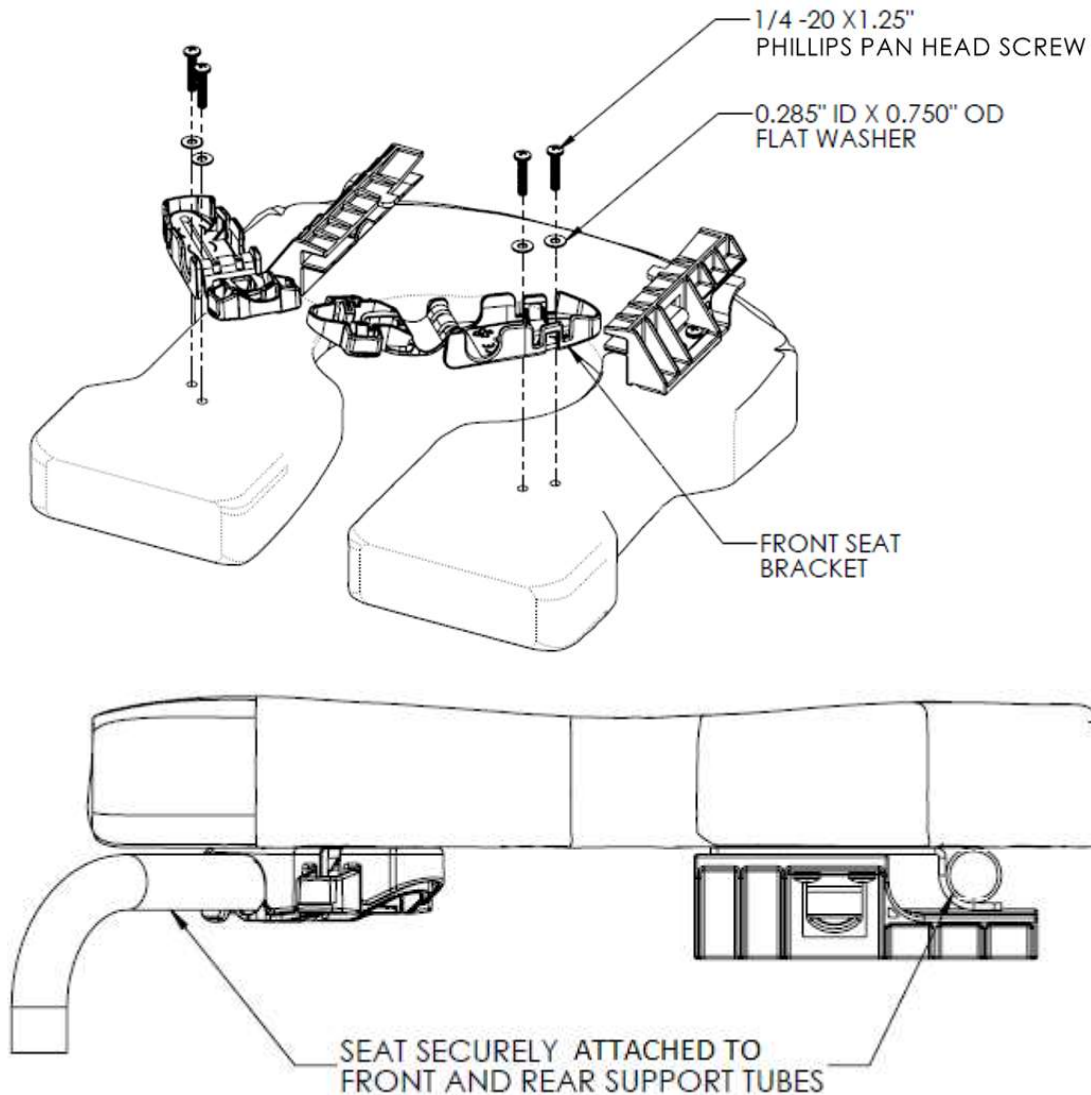
LABELS OR SYMBOLS ON THE PRODUCT

PRODUCT DESIGNATION	RAZ-ART
MANUFACTURER ADDRESS	 <p>Raz Design Inc. 135 Railside Road Toronto, ON Canada M3A 1B7</p>
AUTHORIZED REPRESENTATIVE DETAIL	<div style="border: 1px solid black; padding: 5px; display: inline-block; margin-bottom: 10px;"> EC REP </div> <p style="font-size: 1.5em; margin: 0;">UKRP</p> <div style="border: 1px solid black; padding: 5px; display: inline-block; margin-top: 10px;"> CH REP </div>
PRODUCT IDENTIFER (PI)	<div style="border: 1px solid black; padding: 2px 5px; display: inline-block; margin-bottom: 5px;">SN</div> ART-XXXXXX
UDI-DI	<div style="border: 1px solid black; padding: 2px 5px; display: inline-block; margin-bottom: 5px;">UDI</div> 628758003335
MEDICAL DEVICE	<div style="border: 1px solid black; padding: 2px 5px; display: inline-block; margin-bottom: 5px;">MD</div>
EUROPEAN CONFORMITY	
DATE OF MANUFACTURE	
MAXIMUM USER WEIGHT	
READ USER MANUAL	

FRONT SEAT BRACKET INSTALLATION (IF APPLICABLE)



TORONTO, CANADA



Please refer to the above image for the installation procedure.

Note: Please install the Phillips Pan Head Screws by hand. The use of power tools may cause the bracket to deform.

After installation, ensure the brackets are secured onto the seat. Open and close the brackets to check for proper functionality.

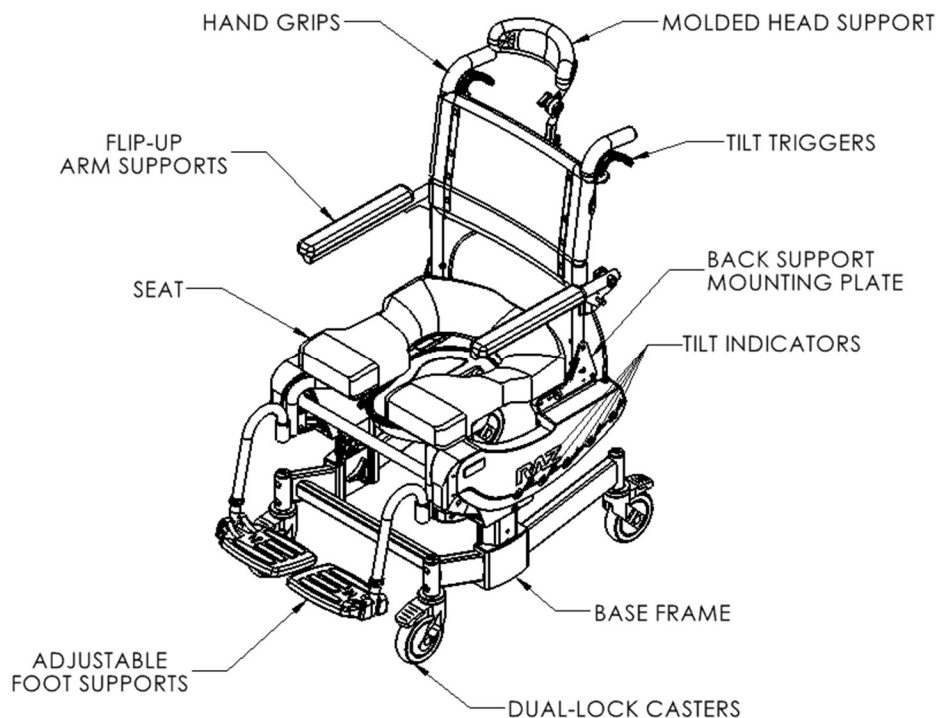
Always be sure that the seat is properly installed and latched. The rear hooks must be fully engaged with the rear seat support tubes and the front brackets must be latched and locked around the front seat support tubes.

USER & DEALER MANUAL TABLE OF CONTENTS

1.0 GENERAL INFORMATION	9
1.1 Raz-ART Overview	9
1.2 Raz-ART Specifications	9
2.0 SET-UP: INTENDED FOR DEALER / DISTRIBUTOR ONLY	10
2.1 Base Frame	10
2.1.1 Base Frame Configuration	10
2.1.2 Seat-To-Floor Height Adjustment	10
2.2 Back Support	11
2.2.1 Back Support Installation	11
2.2.2 Back Support Angle Adjustment	11
2.2.3 Back Support Depth Adjustment	11
2.2.4 Adjustable-Tension Back Upholstery Adjustment	12
2.3 Cables	12
2.3.1 Cable Installation	12
2.3.2 Cable Adjustment	12
2.4 Caster Installation	12
2.5 Raz Seats	13
2.5.1 Raz Seat Installation	13
2.5.2 Ischial Pelvic Alignment System (IPAS) – Adjustment	13
2.6 Arm Support Adjustment – Adjusta-Back Option Only	14
2.6.1 Arm Support Height Adjustment	14
2.6.2 Arm Support Angle Adjustment	14
2.7 Adjustable Foot Supports	14
2.7.1 Foot Support Installation	14
2.7.2 Foot Support Adjustment	14
2.8 Molded Head Support	15
2.8.1 Head Support Installation	15
2.8.2 Head Support Adjustment	15
2.9 Fastener Installation	15
3.0 USE AND OPERATION	16
3.1 Tilt Function	16
3.2 Flip-Up Arm Supports	16
3.3 Adjustable-Tension Back Upholstery	16
3.4 Raz Seats	17
3.5 Adjustable Foot Supports (Footrests)	17
3.6 Molded Head Support (Headrest)	17
3.7 Casters	18
3.8 Commode Pan	18
4.0 CLEANING AND MAINTENANCE	19
4.1 Cleaning After Each Use	19
4.1.1 Commode Pan	19
4.1.2 Seat	19
4.2 Cleaning As Needed	19
4.2.1 Frame, Arm Supports, Adjustable Foot Supports, and Other Components	19
4.3 Suggested Cleaning Products	19
5.0 LIMITED WARRANTY	20
6.0 CONTACTS	21

1.0 GENERAL INFORMATION

1.1 Raz-ART Overview



1.2 Raz-ART Specifications

SPECIFICATIONS	Raz-ART
WEIGHT CAPACITY	160 kg (352 lbs)
FRAME WIDTH	46 cm (18")
OVERALL WIDTH	57 cm (22.5")
OVERALL LENGTH at 0° tilt, with foot supports	89 cm (35")
OVERALL LENGTH at 40° tilt, with foot supports	128 cm (50.5")
SEAT WIDTH commode seat	46 cm (18")
SEAT DEPTH front of the back post to the front of the seat	41-46 cm (16"-18"), 48-53 cm (19"-21")
CLEARANCE WIDTH	40 cm (15.75")
CLEARANCE HEIGHT with pan brackets	38-46 cm (15"-18"), 48-56 cm (19"-22")
CLEARANCE HEIGHT without pan brackets	41-49 cm (15.5"-18.5"), 51-59 cm (19.5"-22.5")
ARM SUPPORT (ARMRESTS) HEIGHT ABOVE SEAT with Adjusta-Back	51 cm (20") high back: 19-27 cm (7.5"-10.5") in 1.25 cm (1/2") increments
SEAT-TO-FLOOR HEIGHT	51-58.5 cm (20-23"), 61-68.5 cm (24-27") in 2.5 cm (1") increments
PRODUCT WEIGHT with foot supports	29 kg (64 lbs)
FRAME MATERIAL	Powder-Coated Aluminum
MINIMUM TURNING CIRCLE	102 cm (40")

2.0 SET-UP: INTENDED FOR DEALER / DISTRIBUTOR ONLY

IMPORTANT NOTE: If the threads are not lubricated, cold-welding of fasteners can occur.

- Apply a lubricant (liquid detergent, soap, lip balm, wax, etc.) to the threads before tightening the fasteners to reduce the possibility of cold welding.
- Do not overtighten fasteners.

IMPORTANT !

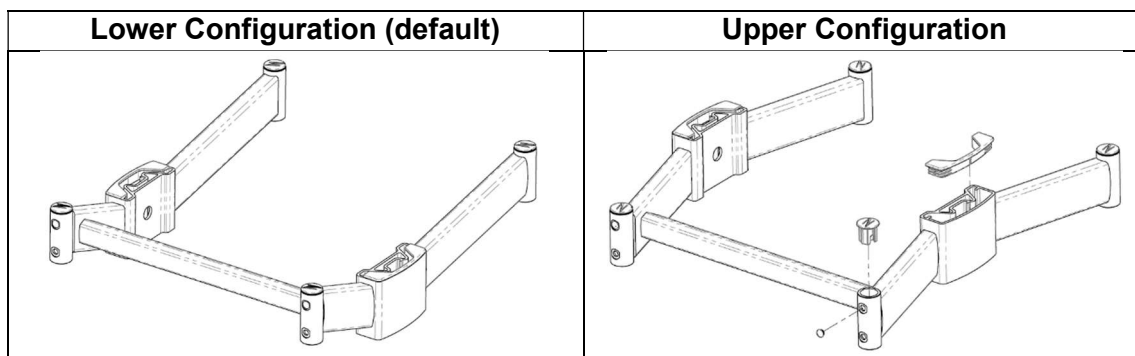
ADJUSTMENTS SHOULD NEVER BE ATTEMPTED WITH THE USER IN THE CHAIR.

2.1 Base Frame

2.1.1 Base Frame Configuration

The base frame can be set up in either of the two configurations.

- Lower configuration allows for seat-to-floor height ranges of 51-58.5 cm (20-23”).
- Upper configuration allows for seat-to-floor height ranges of 61-68.5 cm (24-27”).

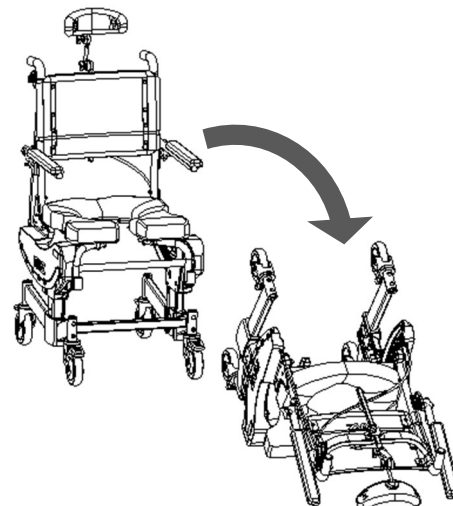


To achieve the upper configuration:

1. On a soft and clean surface (e.g. carpeted surface, flattened packaging box), carefully tip the chair forward as in the drawing on the right.
2. Remove both height adjustment knobs ① by turning them counter-clockwise.
3. Remove the seat frame from the base frame.

NOTE: If casters are installed, uninstall them by using a 5mm hex key to remove the mounting screws.

4. Remove all caps and flip the base upside down.
5. Reinstall caps as shown above.
6. Refer to the following section to reinstall the base frame to the desired seat-to-floor height.



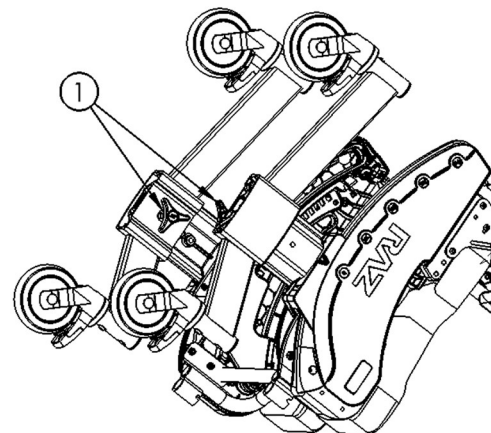
2.1.2 Seat-To-Floor Height Adjustment

To change the seat-to-floor height on the Raz-ART model, the seat frame is raised or lowered using the adjustment knob located on the inside of the base frame.

1. On a soft and clean surface (e.g. carpeted surface, flattened packaging box), carefully tip the chair forward as in the drawing on the right.
2. Loosen and remove both height adjustment knobs ① by turning them counter clock-wise.
3. Adjust seat frame height up or down as needed, making sure holes remain aligned to reinstall the knob.

NOTE: Each hole is spaced in 2.5 cm (1”) increments

4. Reinstall the knobs ① into the holes, then tighten by turning clockwise.
5. Raise the chair to an upright position.



2.2 Back Support

2.2.1 Back Support Installation

Tools Required: 5/32" hex key, 7/16" wrench

1. Lift the back support to an upright position.

TIP: A #2 Phillips screwdriver with a 1/4" diameter shaft can be inserted through one of the plates and back posts to temporarily hold the back support in an upright position.

2. Insert the button head screw through one of the two holes on the back support mounting plate and through the back post.
Do not force the screws through the holes as this could damage the threads – use the hex key to turn the screw if needed.

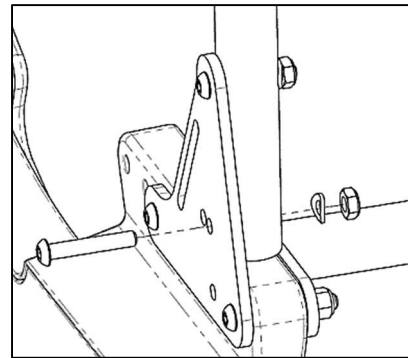
NOTE: Select the forward hole for a 97° back support angle and the rear hole for a 90° back support angle.

3. Fasten the curved washers and lock nuts as shown.

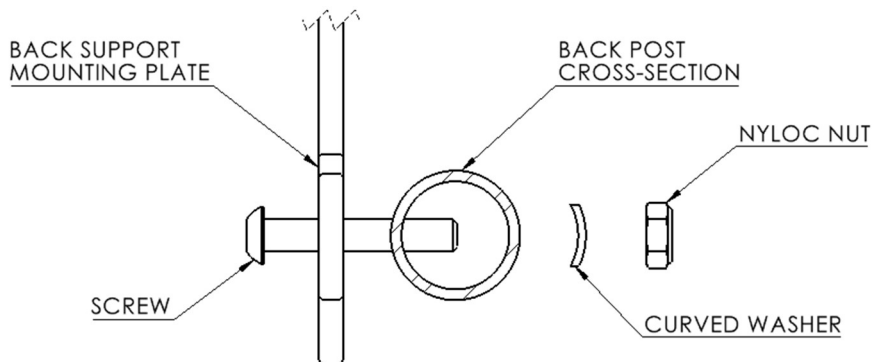
4. Repeat steps 2 to 3 for the other side.

5. Tighten all 4 back mounting screws until all axial clearance is eliminated but do not overtighten.

NOTE: Re-lubricate fasteners prior to tightening.



TOP VIEW OF THE BACK SUPPORT INSTALLATION



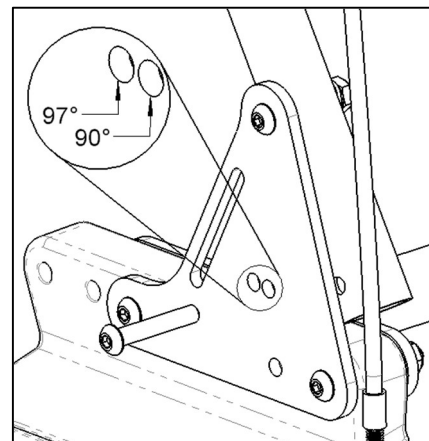
2.2.2 Back Support Angle Adjustment

Tools Required: 5/32" hex key, 7/16" wrench

1. Loosen (do not remove) the top screws and lock nuts attaching the back support mounting plate to the back posts.
2. Remove the bottom screw on both sides.
3. Rotate the back support to align the back post hole to one of two positions on the back support mounting plate.

NOTE: Select the forward hole for a 97° back support angle and the rear hole for a 90° back support angle.

4. With the back support in place, insert the screws through the selected holes on the back support plates.
5. Fasten the screws with the curved washers and lock nuts.
6. Tighten all four screws and lock nuts but do not overtighten.

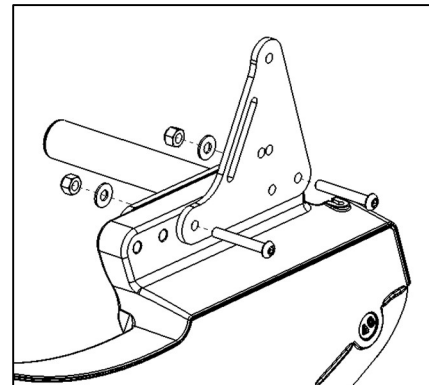


2.2.3 Back Support Depth Adjustment

The back support has approximately 2.5 cm (1") of fore/aft adjustment.

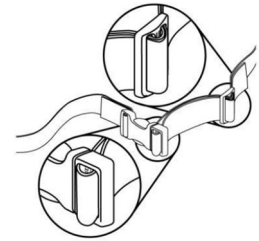
Tools Required: 5/32" hex key, 7/16" wrench

1. Remove the screws and lock nuts from the back support mounting plates to remove the back support.
2. Remove all screws and lock nuts on the back support mounting plates.
3. Move the back support mounting plate to the desired position and reinstall all hardware.
4. Reinstall the back support by reversing the removal process in step 1.



2.2.4 Adjustable-Tension Back Upholstery Adjustment

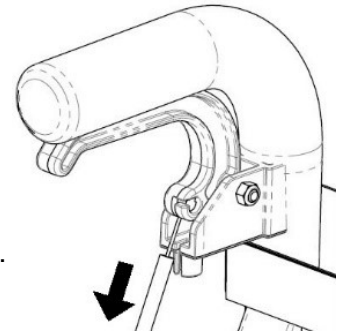
In order to adjust the back upholstery, each strap can be tightened or loosened in the buckles to achieve a wide range of positions. For example, the second and third straps from the bottom can be tightened to create more pronounced support in the lumbar area of the back.



2.3 Cables

2.3.1 Cable Installation

1. Squeeze the tilt trigger until it rests against the hand grip.
2. Insert the cable end through the hole on the trigger handle.
TIP: If there is not enough slack in the cable, ensure the cable sleeve is fully inserted into the threaded cable fitting at the bottom end of the cable.
3. Release the trigger handle and pull the cable sleeve downward to expose the cable wire.
4. Thread the cable wire through the housing slit.
5. Insert the tip of the sleeve into the bottom of the trigger housing and release.
6. Repeat steps 1-5 for the other side.
7. Test and adjust the cables to properly setup the tilt lock system.



2.3.2 Cable Adjustment

Before the chair is used, it is important to check that each cable is properly adjusted and the tilt lock system functions as designed.

To test the cable:

1. Have the chair tilted to approximately 20°.
2. While squeezing the tilt trigger controlling the lock mechanism on one side of the chair, try to change the tilt angle in both directions.

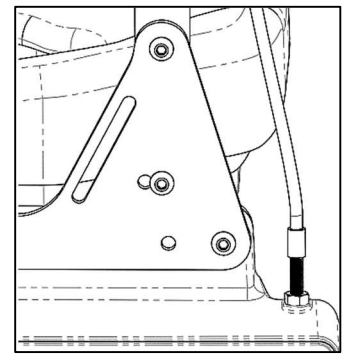
If the tilt angle can be changed with just one trigger squeezed, the cable controlling the tilt lock on the other side must be adjusted.

To adjust the cable:

1. Loosen the jam nut and turn the threaded cable fitting 1-3 complete rotations clockwise.
2. Test again (re-adjust cable fitting if needed) and tighten the jam nut against the side panel if the chair does not move during the test.
3. Repeat the test for the other tilt trigger and adjust if needed.
4. Test with both tilt triggers squeezed.

If a tilt lock pawl clicks against the notches in the locking plate as the chair is tilted with both tilt triggers squeezed, the cable on the side causing the clicking noise requires the following adjustment:

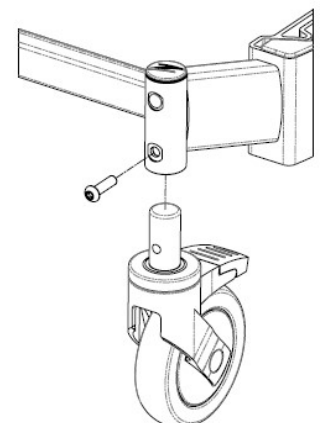
1. Loosen the jam nut and turn the cable fitting 1-3 complete rotations counter-clockwise.
2. Tilt the chair with both triggers squeezed and listen for the clicking noise.
3. Re-adjust the cable fitting until the noise stops during testing.
4. Tighten the jam nut on the cable fitting.



2.4 Caster Installation

Tools Required: 5mm hex key

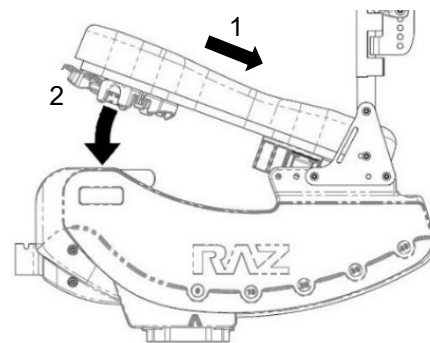
1. Insert one caster stem into the caster housing on the base frame.
2. Align the threaded hole in the caster stem with the hole in the caster housing.
3. Insert the M8 button head screw into the caster housing.
NOTE: Ensure each screw has a thread-lock patch or medium-strength thread-locker solution on its threads before using.
4. Thread the screw into the caster stem.
5. Ensure the screw is tightened and the caster is secure.
6. Repeat steps 1 to 5 with the remaining 3 casters.



2.5 Raz Seats

2.5.1 Raz Seat Installation

1. Ensure that the front brackets are in the open position.
2. Slide the rear of the seat over the rear seat support tubes as the front of the seat is lowered onto the frame. Ensure the rear seat brackets hook below the rear seat support tubes.
3. Continue lowering the front of the seat until the front seat brackets nestle onto the front seat support tubes.
4. Secure the seat in place by closing the front seat brackets.
5. Reverse steps 1 to 4 to remove the seat from the frame.



2.5.2 Ischial Pelvic Alignment System (IPAS) – Adjustment

The seat has approximately 5 cm (2") of fore/aft adjustment allowing optimal positioning of the seat aperture around the user's Ischial Tuberosities.

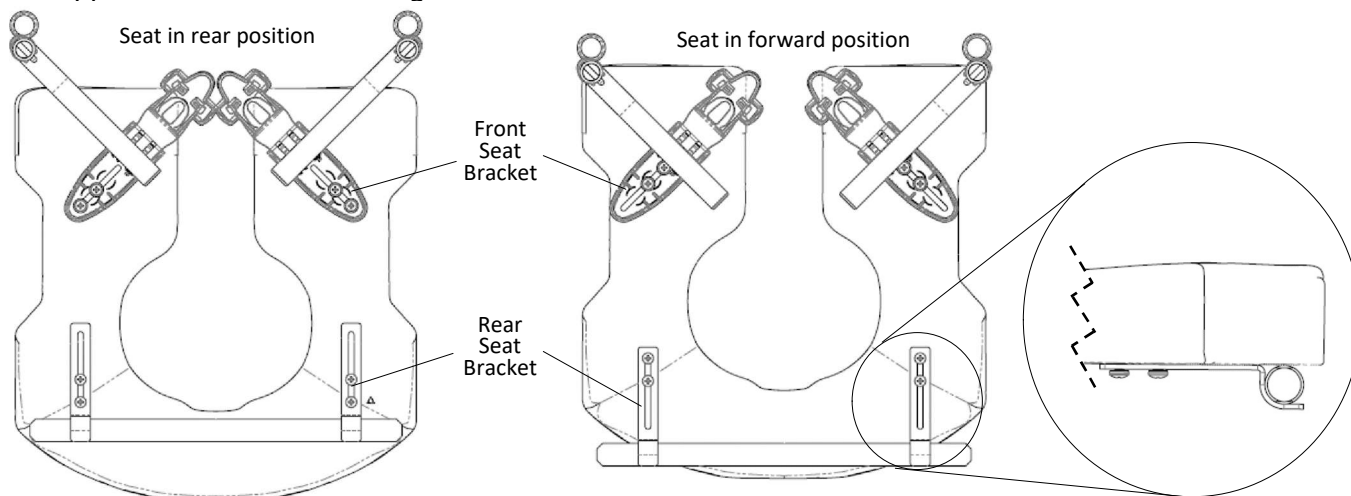
Tool Required: #2 Phillips screwdriver

1. Release the seat by opening the front seat brackets.
2. Lift the front of the seat and pull upward and then forward to remove the seat from the chair.
3. Loosen (but do not remove) the eight screws attaching the front seat brackets and rear seat brackets to the underside of the seat.

NOTE: For clarity, the rear seat brackets are shown below without commode pan brackets.

4. Place the seat back in position on the frame and close the front seat brackets around the front seat support tubes.
5. Slide/wiggle the seat to the desired position.
6. Ensure rear seat brackets are firmly positioned against the rear seat support tube.
7. Tighten all eight screws attaching the front and rear seat brackets to the seat to prevent further movement of the seat.

NOTE: Ensure the front and rear seat brackets are securely latched around the front and rear seat support tubes before allowing a user to transfer into the chair.



2.6 Arm Support Adjustment – Adjusta-Back Option Only

Tools required differ by hardware, make sure the correct tools are selected for secure installation. Frame with the identifier hole is Metric.

- for Imperial 3/8" hardware: 7/32" hex key, 9/16" wrench;
- for Metric M8 hardware: 5mm hex key, 13mm wrench

2.6.1 Arm Support Height Adjustment

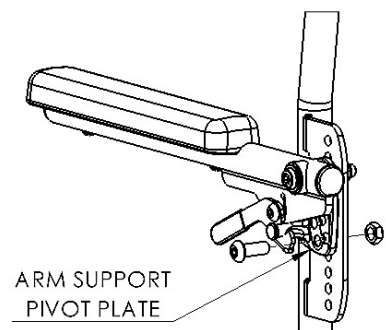
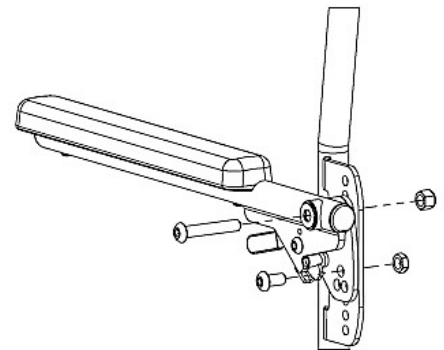
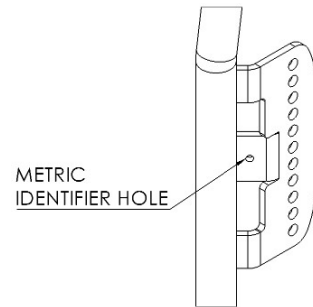
The arm supports are adjustable in height within a 3" range, in 1/2" increments *on the Adjusta-Back Option only*.

1. Loosen and remove the lower locknut.
2. Loosen and remove the upper locknut.
3. Keeping the arm support and arm support pivot plate assembly together, move the unit up or down on the arm support weldment depending on the user's needs.
4. Reinstall the locknut onto the upper screw.
5. Reinstall the locknut onto the lower screw.
6. Tighten screws and locknuts at the upper and lower.
7. Repeat steps 1 to 6 for the other arm support.

2.6.2 Arm Support Angle Adjustment

The arm support angle can be adjusted up 5° or down 5° if the back support angle is adjusted from the 90° factory position.

1. Loosen and remove the screw, washer and locknut on the bottom of the arm support pivot plate.
2. Keeping the upper screw in place, rotate the arm support assembly until the preferred position is reached by aligning one of the 3 holes (arranged in a triangle) on the arm support pivot plate with the holes on the arm support weldment.
3. Insert the screw into the preferred position on the arm support pivot plate and attach the locknut.
4. Tighten the screw and locknut.
5. Repeat steps 1 to 4 for the other arm support.



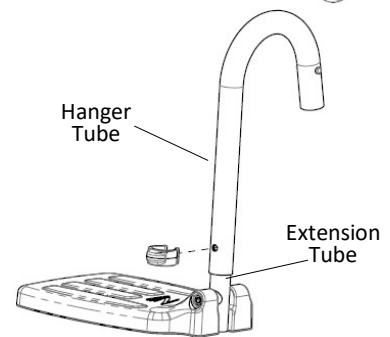
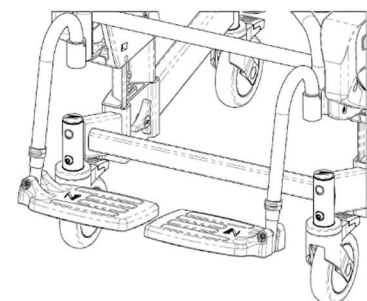
2.7 Adjustable Foot Supports

2.7.1 Foot Support Installation

1. Remove the foot supports from the accessory box.
2. Place the foot support hanger tubes into the receivers.
If the hanger tubes are directed forward, the pins on the tubes will engage with the grooves in the receivers and lock in place.

2.7.2 Foot Support Adjustment

1. Remove the plastic snap-pin from the foot support hanger tube.
2. Adjust the foot support extension tube vertically to achieve the desired position.
3. Insert the snap-pin back through the foot support hanger and extension tubes.
4. Repeat steps 1-3 for the other side.



2.8 Molded Head Support

A molded head support is included with all Raz-AT Shower Chairs. It is shaped to cradle the head comfortably and is easy to clean. The head support can be adjusted indefinitely forward and backward within a 5" range and vertically within an 11½" range.

2.8.1 Head Support Installation

1. Remove the head support assembly from the inner accessory box.
2. Insert the square tube of the head support assembly into the receiver on the back support while ensuring the molded pad is facing forward.
3. Unfold the head support by loosening the Tri-lobes.
4. Adjust the angle and height to the user's preference.
5. Tighten the Tri-lobes fully to secure the angle and height of the molded head support.

2.8.2 Head Support Adjustment

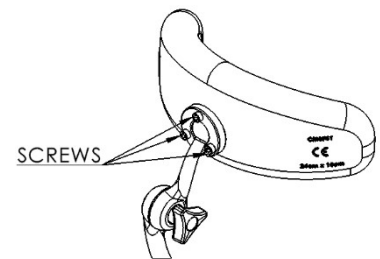
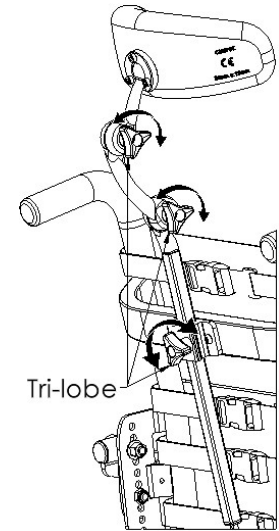
To adjust the position of the head support:

1. Loosen the Tri-lobes on the head support assembly.
2. Adjust the angle and height to the user's preference.
3. Tighten the Tri-lobes to fully secure the head support position.

To adjust the angle of the head support pad:

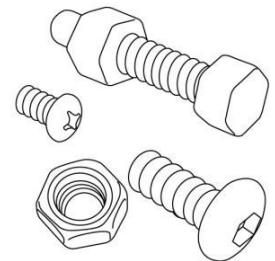
Tool required: 4mm hex key

1. Loosen (do not remove) the three screws on the back of the molded head support.
2. Rotate the head support pad around the end of the head support mounting bar to suit the user's needs.
3. Tighten the screws to secure the position of the pad.
4. Ensure that all knobs and screws are tightened securely for the user's safety.



2.9 Fastener Installation

All fasteners should be installed securely by hand and not with power tools. The speed and torque of the power tools can cause the fasteners to seize and permanently cold weld in place. It is also recommended that liquid soap be added to the screw thread to help prevent the fasteners from seizing. Lock nuts removed for any reason may need to be replaced rather than re-used. Check the performance of lock nuts when re-attaching to screw. There should be significant, detectable resistance when tightening. If not, replace the lock nut with a new one. It is advisable to check annually, that all fasteners are properly tightened and that all adjustable components are secured in place.

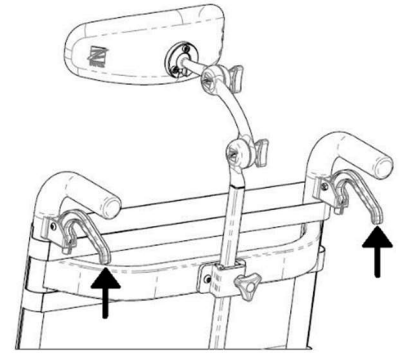


3.0 USE AND OPERATION

3.1 Tilt Function

The Raz-ART tilts up to 40° to provide comfort and reduce sitting pressure for the user. The attendant must squeeze both tilt triggers to tilt the chair to the desired angle. To lock the chair in place, the attendant can release the triggers and the tilt mechanism will lock.

NOTE: If you experience difficulty releasing the tilt lock mechanism by squeezing the triggers, gently rock the back support back and forth slightly to release the mechanism.

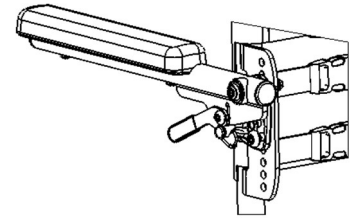


IMPORTANT !

DO NOT ATTEMPT TO TILT A RAZ SHOWER CHAIR IF THE ATTENDANT IS PHYSICALLY INCAPABLE OF SAFELY AND SMOOTHLY OPERATING THE TILT MECHANISM WITH A USER OCCUPYING THE CHAIR. ANY ATTENDANT MUST BE FAMILIAR WITH PROPER TILTING TECHNIQUES PRIOR TO ASSISTING A USER IN THE SHOWER COMMODE. A PELVIC STRAP IS RECOMMENDED FOR ANY USER AS AN EXTRA SAFETY PRECAUTION.

3.2 Flip-Up Arm Supports

The Adjusta-Back is adjustable in angle and has arm supports that can be adjusted in height and angle. The arm supports can flip up to allow for ease of transfer, and lock automatically (if the optional lock is included) when flipped down.



3.3 Adjustable-Tension Back Upholstery

The Adjusta-Back back supports come with an Adjustable-Tension Back Upholstery that provides trunk support for optimal positioning and comfort. The upholstery is removable for machine washing and available in the 15" (4 straps), 17" (5 straps), 20" (6 straps), and 24" (7 straps) heights in accordance with the back height selected for the chair.

To install Adjustable-Tension Back Upholstery on a 17" high Adjusta-Back:

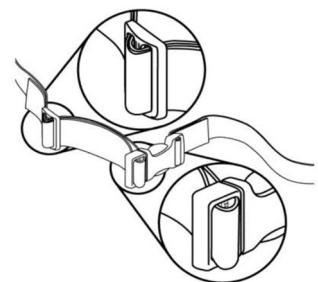
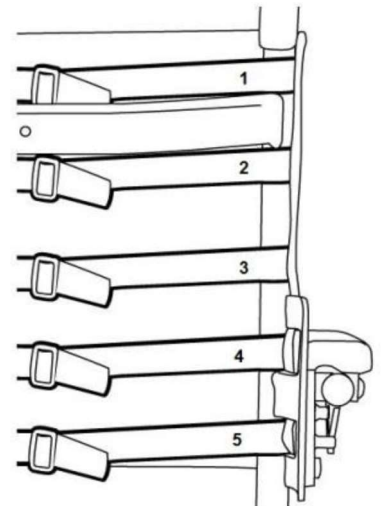
1. Place the fabric against the front of the back support canes making sure that when wrapped around, the clips on the straps face away from the fabric and the loops point downwards.
2. The highest strap (1) is positioned above the crossbar.
3. Second (2) and third (3) straps are positioned between the crossbar and back support mounting plates. A 15" high back will only have a single strap at this location.
4. The fourth (4) and fifth (5) straps are fed through the slots in the arm support mounting plates.
5. A 20" high back includes a sixth strap, which should be positioned below the arm support mounting plates.
6. Adjust all of the straps to meet the user's needs.

NOTE: For the 24" Adjusta-Back, the two highest straps should be positioned above the back support crossbar. The other five straps are located the same as the 20" Adjusta-Back.

In order to adjust the back upholstery of the back support, each strap can be tightened or loosened to achieve a wide range of positions.

For example, the second and third straps from the bottom can be tightened to create more pronounced support in the lumbar area of the back.

To remove the Adjustable-Tension Back Upholstery, release the buckles on the straps.

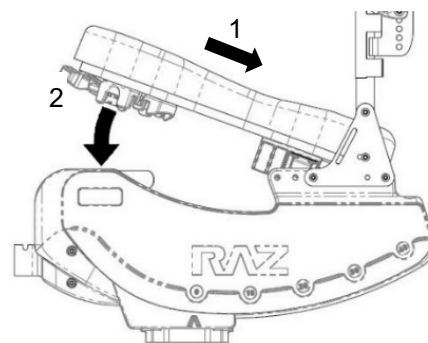


3.4 Raz Seats

To install a Raz Seat:

1. Ensure that the front brackets are in the open position. To open the front brackets, simply squeeze the tabs on the hinged portion of the bracket.
2. Slide the rear of the seat over the rear cross tubes as the front of the seat is lowered onto the frame. Check to make sure that the rear seat brackets hook below the cross tubes.
3. Continue lowering the front of the seat until the front seat brackets nestle onto the front seat support tubes.
4. Secure the seat in place by closing the front seat brackets. To close the seat bracket, snap the clamp back onto its other half around the front support tubes.
5. Reverse steps 1 to 4 to remove the seat from the frame.

*See page 4 for additional information.



IMPORTANT !

NEVER ATTEMPT TO CHANGE THE SEAT HEIGHT WITHOUT THE HELP OF A QUALIFIED DEALER. HIGHER SEAT POSITIONS WILL REDUCE THE CHAIR'S STABILITY AND MAY RESULT IN TIPPING AND INJURY.

3.5 Adjustable Foot Supports (Footrests)

Adjustable Footrests are standard on all Raz Shower Chairs. The footrests can be flipped up, rotated away, or removed entirely for transfers. Adjustable Footrests can be extended for users with longer legs with the optional footrest extension tube, a 2" longer tube that can be ordered for any Raz Shower Chair.

To insert the Adjustable Footrests:

1. Place the footrest hanger tubes into the footrest receivers.
2. If the hanger tubes are aligned forward, the pins on the tubes will engage with grooves in the receivers and lock in place.

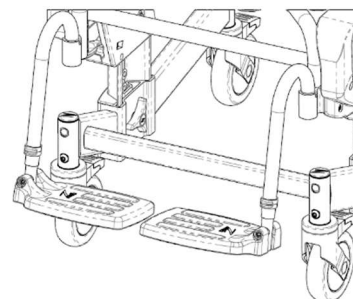
To adjust the length of the Adjustable Footrests:

1. Remove the snap-pin from one footrest hanger tube.
2. Reposition the footplate to a length suitable for the user.
3. Insert the snap-pin through the footrest hanger tube and through the inner tube.

To rotate the Adjustable Footrests:

1. Lift the footrest hanger tubes to disengage the pins.
2. Rotate the footrests outward or inward.

To remove the Adjustable Footrests, lift the footrests out of the receiving sleeves on the frame.

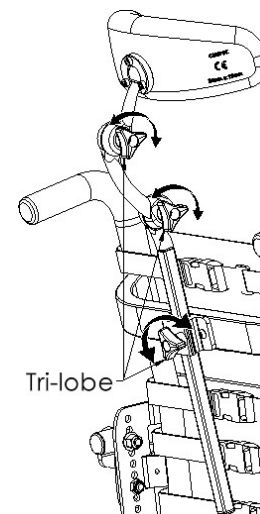


3.6 Molded Head Support (Headrest)

A molded headrest is included with all Raz-AT Shower Chairs. It is shaped to cradle the head comfortably and is easy to clean. The headrest can be adjusted indefinitely forward and backward within a 5" range and vertically within an 11½" range.

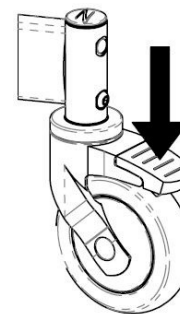
To adjust the molded headrest:

1. Loosen the Tri-lobes on the molded headrest assembly.
2. Adjust the angle and height to the user's preference.
3. Tighten the Tri-lobes fully to secure the angle and height of the molded headrest.
4. Ensure that all Tri-lobes are tightened securely for the user's safety.



3.7 Casters

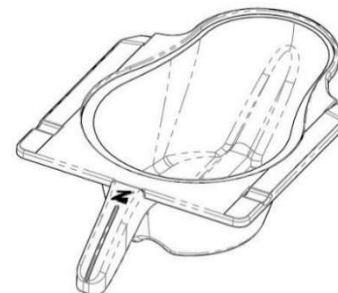
Each caster is equipped with a dual-lock feature, which stops the caster from swiveling and rolling simultaneously. To activate the dual-lock, step on the end of the caster lock pedal until it latches in the “on” position. To deactivate the dual-lock, step on the raised end of the lever until it releases.



3.8 Commode Pan

The Raz commode pan is designed with an elongated shape that fits directly under the seat to minimize backsplash. A unique splash-reduction ridge is located at the center of the pan. The high gloss surface facilitates cleaning and rinsing, while the pouring spout and handle facilitate emptying. Removal of the commode pan is achieved by sliding the pan rearward.

NOTE: When re-inserting the pan, ensure that the pan is guided into the green plastic brackets and pushed forward until it hits the stops.



IMPORTANT !

A QUALIFIED RAZ DEALER SHOULD BE CONTACTED TO CHECK ALL FASTENERS, CASTERS, HARDWARE, AND ALL OTHER MOVING COMPONENTS AT LEAST ONCE PER YEAR.

4.0 CLEANING AND MAINTENANCE

4.1 Cleaning After Each Use

4.1.1 Commode Pan

1. Remove the commode pan and empty the contents.
2. Wash the pan with a multi-purpose disinfectant cleaning solution. Use a soft brush if needed.
3. Rinse well before storage or re-use.

A soapy hot water wash followed by a disinfectant spray can be substituted for a multi-purpose disinfecting cleaning solution.

4.1.2 Seat

1. Spray with a multi-purpose disinfectant cleaner and scrub with a soft brush as required.
2. Rinse with a water spray before storage or re-use. **DO NOT IMMERSE** the seat in water or cleaning solutions.
3. For a more thorough cleaning, remove the seat from the shower chair to allow better access to the seat's underside and around the seat's opening.

4.2 Cleaning As Needed

4.2.1 Frame, Arm Supports, Adjustable Foot Supports, and Other Components

Spray the frame and components with a multi-purpose disinfectant cleaner, scrub with a soft brush, and rinse with water.

It is recommended to the user that a qualified Raz dealer check over all fasteners and subassemblies on a continuing basis or if there is cause for concern about the shower chair's performance.

To reduce the risk of mildew buildup, the entire shower chair should be wiped down with a soft dry cloth after the final rinse and before storage or use.

DO NOT use chlorine bleach on any Raz components.

The Raz-ART must be stored in a dry and clean environment. Avoid exposure to chlorine (e.g. pools and pool areas), which will deteriorate and discolor the chair over time.

4.3 Suggested Cleaning Products

Task	Recommended Products
General Cleaning	Antibacterial Detergent
Surface Disinfecting	Oxiver TB (Virox Technologies Inc.)

IMPORTANT !

DO NOT USE ABRASIVE SCRUBBING POWDERS OR SCOURING PADS ON THE Raz-ART.

DO NOT SUBMERGE THE Raz-ART IN WATER.

RINSE THOROUGHLY AFTER CLEANING TO ENSURE ANY SOAP OR DETERGENT RESIDUE IS REMOVED.

DO NOT USE CLEANING PRODUCTS WITHOUT CONSULTING THE PRODUCT'S INSTRUCTIONS AND TAKING APPROPRIATE PRECAUTIONS FOR HUMAN EXPOSURE TO CHEMICALS.

DO NOT USE CHLORINATED PRODUCTS ON THE Raz-ART.

5.0 LIMITED WARRANTY

This warranty is extended only to the original purchaser/user for Raz-ART which has been purchased from a qualified Raz dealer.

This warranty gives you specific legal rights, but you may have additional legal rights depending on your region and country.

This warranty shall be extended to comply with regional and national laws and requirements.

With regards to the original purchaser/user only, Raz Design Inc. warrants its base and back frame components to be free of defects in materials and workmanship for a period of two (2) years from the date of purchase. All other components on the Raz-ART are covered for a period of one (1) year and are subject to normal wear and tear exclusions. If within such warranty period, any such product shall be proven to be defective, the part will be repaired or replaced, at Raz Design's discretion. This warranty does not include any labor or shipping charges incurred in replacement, part installation, or repair of any such product.

For warranty service, please contact the dealer from whom you purchased your Raz-ART. In the event that you do not receive satisfactory warranty service, please contact Raz Design directly using the contact information located at either the beginning or end of the manual. In your correspondence, please provide your dealer's name and address, the product type, the date of purchase, and the chair's serial number (on a grey label located on the chair frame), as well as the nature of the product issue. Do not return products to the manufacturer without prior authorization.

Limitations and Exclusions:

The foregoing warranty shall not apply to serial numbered products if the serial number has been removed or defaced, and to products subjected to negligence or an accident. Improper operation, maintenance, or storage may void the warranty coverage on the Raz-ART.

The warranty does not apply to products modified without Raz Design's express written consent. This includes but is not limited to, modification through the use of unauthorized parts or attachments, products damaged by reason of repairs made to any component by an individual or individuals who are not employed by a qualified Raz dealer, or to a product damaged by circumstances beyond Raz Design's control. Only Raz Design will have the authority to determine whether or not the circumstances are eligible for warranty coverage. The warranty will not apply to problems arising from normal wear or failure to adhere to the instructions contained in this manual.

The foregoing warranty is exclusive of any other warranties, whether expressed or implied, including the implied warranties of merchantability and fitness for a particular purpose. The sole remedy for violations of any warranty whatsoever will be limited to the repair or replacement of the defective product in compliance with the terms contained in this document.

The application of any implied warranty shall not extend beyond the duration of the express warranty provided herein. Raz Design will not be liable for any consequential or incidental damages to part or whole of a Raz-ART.

Raz Design Inc. frame and hardware material are made of stainless steel and aluminum for which we offer a lifetime warranty against corrosion. Please be advised this lifetime warranty is only extended to the original purchaser/user of Raz Shower Chairs that have been purchased from a qualified Raz dealer. Failure to comply with proper cleaning instructions may cause corrosion to the frame thereby voiding this warranty. Additionally, all claims of corrosion are subject to review and a request may be made for the return of the device in question, for a thorough examination, before a replacement order can be processed.

6.0 CONTACTS

It is important that the Raz-ART be properly assembled and all adjustments be carefully made. Up-to-date manuals can be downloaded from www.razdesigninc.com. For clarification of any section of the manual, please contact your distributor or the manufacturer.



MANUFACTURER

Raz Design Inc.

135 Railside Rd. Toronto, ON, Canada, M3A 1B7

877.720.5678 / +1.416.751.5678

info@razdesigninc.com



PRODUCTS THAT CAN NO LONGER BE USED ARE TO BE DISPOSED OF SEPARATELY FROM HOUSEHOLD WASTE. THIS MUST BE DONE ACCORDING TO THE LOCAL AND NATIONAL REGULATIONS FOR ENVIRONMENTAL PROTECTION AND RAW MATERIAL RECYCLING. PLEASE REFER TO YOUR LOCAL GOVERNMENT WEBSITE FOR FURTHER INFORMATION ON THE CORRECT DISPOSAL PROCESS.

IMPORTANT !

IT IS IMPORTANT TO CHECK YOUR CHAIR PRIOR TO EACH USE. ALL COMPONENTS INCLUDING THE BACK SUPPORT, ARM SUPPORT, SEAT, BASE FRAME, AND CASTERS SHOULD BE SECURED IN PLACE. IF IT IS EVER FELT THAT ANY ASPECT OF THE Raz-ART IS IN NEED OF MAINTENANCE, CONTACT YOUR DEALER / DISTRIBUTOR. ANY PROBLEMS THAT COULD AFFECT THE SAFE USAGE OF THE CHAIR MUST BE ATTENDED TO IMMEDIATELY. THE DEALER / DISTRIBUTOR THAT PROVIDED THE SHOWER CHAIR MUST BE CONTACTED SO THAT REPAIRS CAN BE MADE PRIOR TO USING THE CHAIR. DO NOT USE THE CHAIR UNTIL THE REPAIRS HAVE BEEN COMPLETED.

IF FOR ANY REASON YOUR DEALER OR DISTRIBUTOR DOES NOT RESPOND TO YOUR SATISFACTION, PLEASE CONTACT RAZ DESIGN:

EMAIL: info@razdesigninc.com

PHONE: 877.720.5678 (North America)

+1.416.751.5678 (Rest of World)